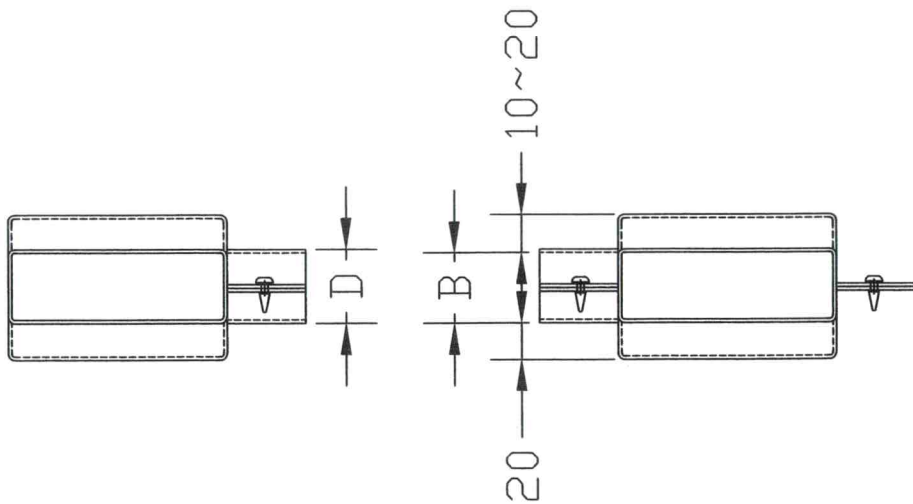
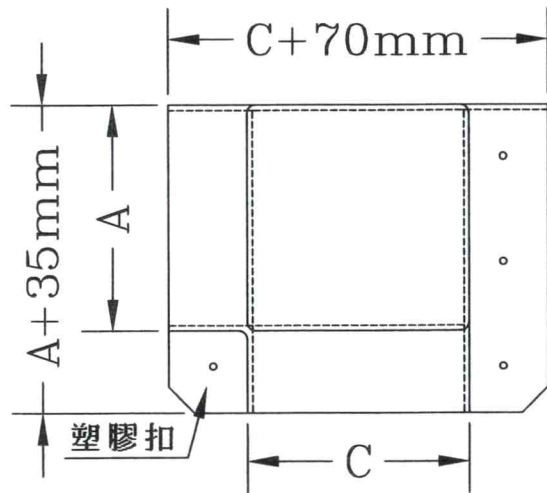


廠牌:



件號	A	B	C	D	(A)主銅板規格	(C)分路銅板規格	數量
L01	45	25	45	25	10TX40-1/φ	10TX40-1/φ	
L02	55	25	55	25	10TX50-1/φ	10TX50-1/φ	
L03	65	25	65	25	10TX60-1/φ	10TX60-1/φ	
L04	55	35	55	35	10TX50-2/φ	10TX50-1/φ	
L05	55	45	55	45	10TX50-2/φ	10TX50-2/φ	
L06	105	25	105	25	10TX100-1/φ	10TX100-1/φ	
L07	105	45	85	45	10TX100-2/φ	10TX80-2/φ	
L08	105	15	55	35	10TX100-1/φ	10TX50-2/φ	
L09	105	25	55	25	10TX100-1/φ	10TX50-1/φ	
L10	85	15	45	35	10TX80-1/φ	10TX40-2/φ	
L11	85	25	55	25	10TX80-1/φ	10TX50-1/φ	
L12	85	55	85	55	10TX80-3/φ	10TX80-2/φ	
L13	85	65	85	65	10TX80-3/φ	10TX80-3/φ	
L14	85	25	85	25	10TX80-1/φ	10TX80-1/φ	
L15	85	15	55	35	10TX80-1/φ	10TX50-2/φ	
L16	105	45	105	45	10TX100-2/φ	10TX100-2/φ	
L17	85	45	85	45	10TX80-2/φ	10TX80-2/φ	
L18	55	25	35	25	10TX50-1/φ	10TX30-1/φ	
L19	45	45	45	45	10TX40-2/φ	10TX40-2/φ	
L20	45	45	85	45	10TX40-2/φ	10TX80-2/φ	
L21	105	45	65	45	10TX100-2/φ	10TX60-2/φ	
L22	65	45	65	45	10TX60-2/φ	10TX60-2/φ	
L23	125	65	125	65	10TX120-3/φ	10TX120-3/φ	
L24	85	35	45	15	10TX80-2/φ	10TX40-1/φ	
L25	125	45	125	45	10TX120-2/φ	10TX120-2/φ	
L26	125	45	85	45	10TX120-2/φ	10TX80-2/φ	
L27	65	25	45	25	10TX60-1/φ	10TX40-1/φ	
L28	65	45	65	45	10TX60-2/φ	10TX60-2/φ	
L29	65	55	105	55	10TX60-3/φ	10TX100-2/φ	
L30	125	35	85	55	10TX120-2/φ	10TX80-3/φ	
L31	125	55	85	75	10TX120-3/φ	10TX80-4/φ	
L32	125	30	85	30	15TX120-1/φ	10TX80-1/φ	
L33	85	35	55	15	10TX80-2/φ	10TX50-1/φ	
L34	85	55	55	35	10TX80-3/φ	10TX50-2/φ	
L35	105	55	65	55	10TX100-2/φ	10TX60-3/φ	

客戶工令:	宏于電機匯流排事業部 第三角圖法 3RD ANGLE PROJECTION 單位 mm 比例 / 日期 DATE	繪圖 DRAWN	設計 DESIGNED	校對 CHECKED	批准 APPROVED	送達時間: XXXXXX	案名:	A
宏于工令:		陳玉茹 103.12.08				送達地點: XXXX	備註:	SHEET NO.
圖名 TITLE L字型絕緣護套						收件人: XXX 先生	手機:	L1

