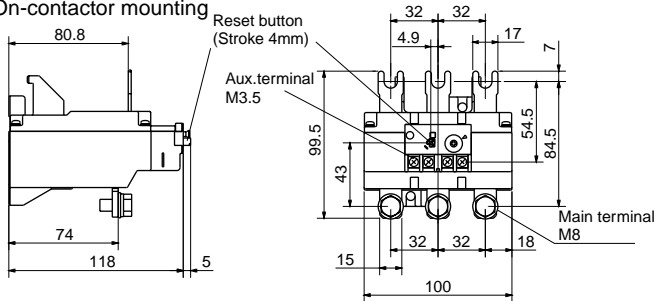




■ Dimensions, mm  
Standard and quick operating types

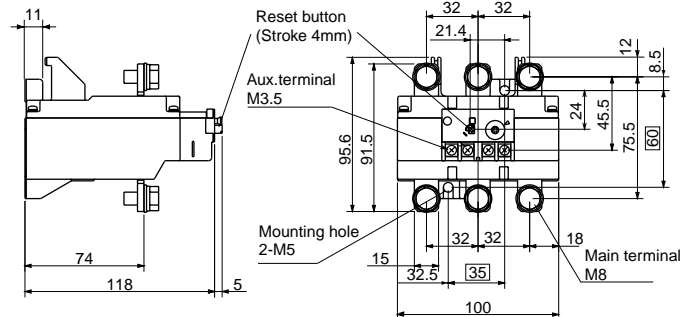
TR-6N/3

On-contactor mounting



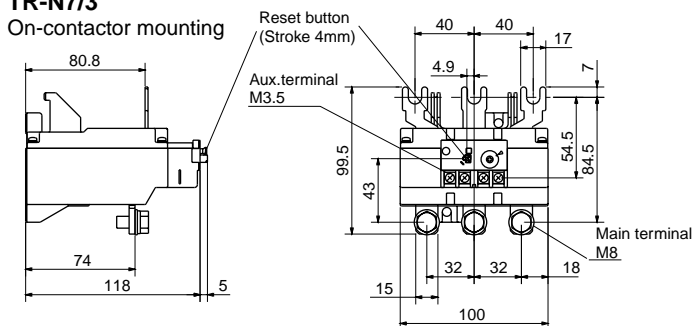
TR-N6H/3

On-contactor mounting



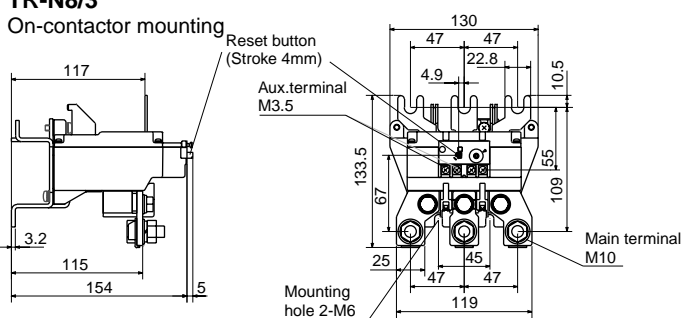
TR-N7/3

On-contactor mounting



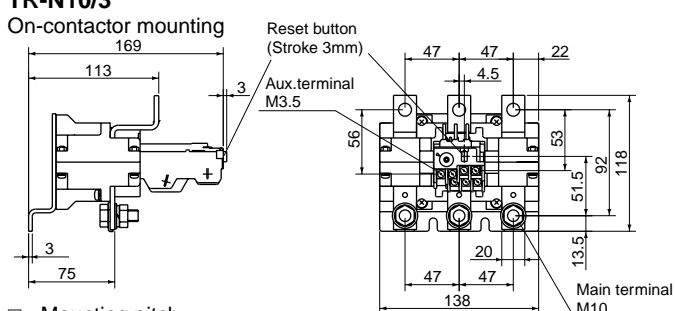
TR-N8/3

On-contactor mounting

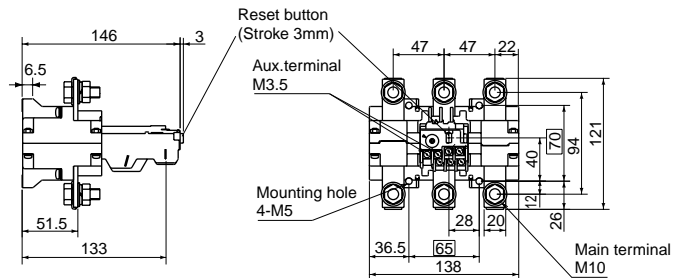


TR-N10/3

On-contactor mounting

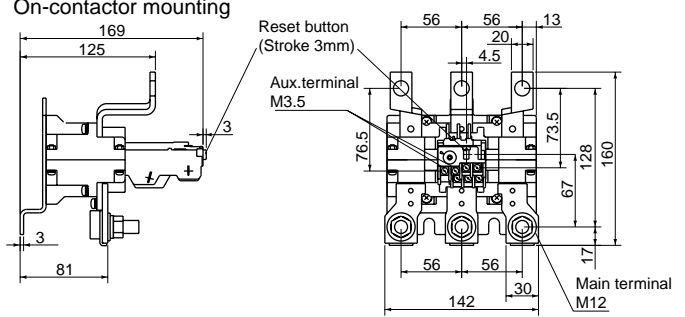


TR-N10H/3



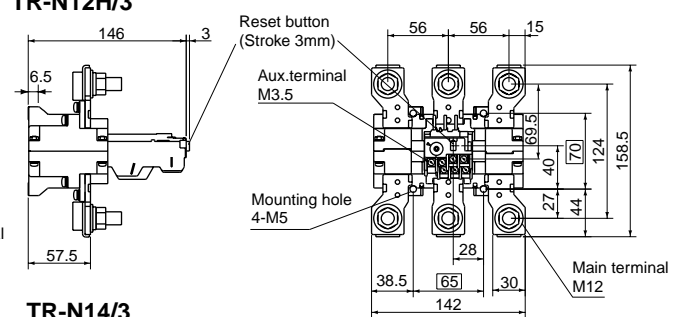
TR-N12/3

On-contactor mounting



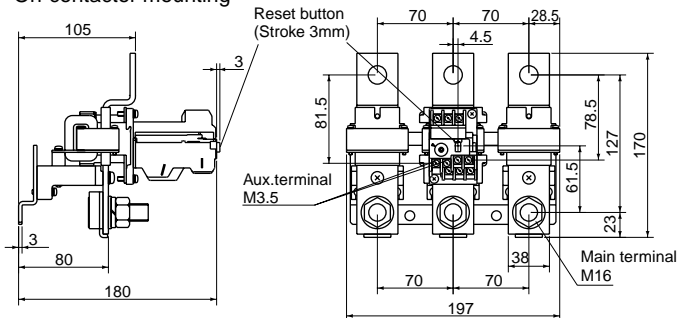
TR-N12H/3

On-contactor mounting



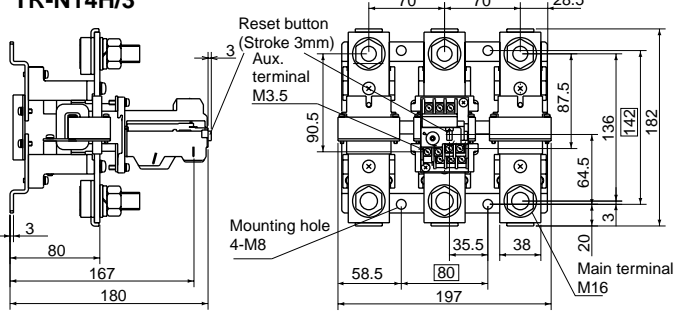
TR-N14/3

On-contactor mounting



TR-N14H/3

On-contactor mounting



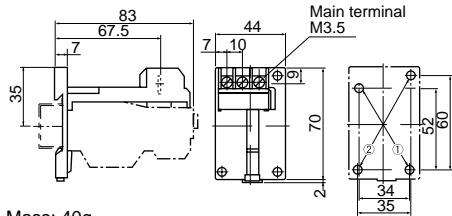
□ : Mounting pitch  
Mass: See page 01/96.

# Thermal Overload Relays TR series

## ■ Dimensions, mm

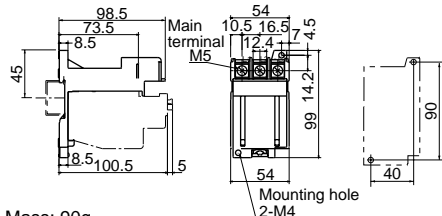
### Base unit for separate mounting

#### SZ-HB



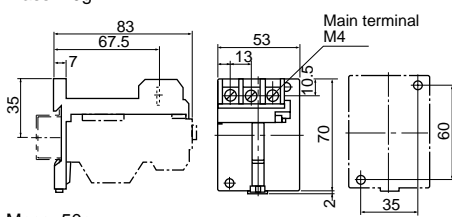
Mass: 40g

#### SZ-HD



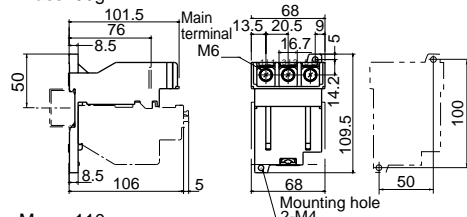
Mass: 90g

#### SZ-HC



Mass: 50g

#### SZ-HE



Mass: 110g

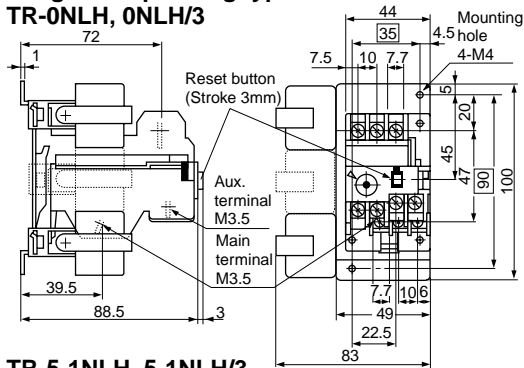
## ■ Mass/Standard and quick operating types

On-contactor mounting		Separate mounting		On-contactor mounting		Separate mounting	
Type	Mass	Type	Mass	Type	Mass	Type	Mass
TR-0N	0.09kg	TR-0NH	0.13kg	TR-N7	0.61kg		
TR-0N/3	0.10kg	TR-0NH/3	0.14kg	TR-N7/3	0.61kg		
TR-0NQ	0.10kg						
TR-5-1N	0.11kg	TR-5-1NH	0.16kg	TR-N8	1.2kg		
TR-5-1N/3	0.12kg	TR-5-1NH/3	0.17kg	TR-N8/3	1.2kg		
TR-5-1NQ	0.12kg						
TR-N2, N2/3	0.2kg	TR-N2H	0.29kg	TR-N10	1.85kg	TR-10NH	1.5kg
TR-N2Q	0.2kg	TR-N2H/3	0.29kg	TR-N10/3	1.85kg	TR-10NH/3	1.5kg
TR-N3, N3/3	0.27kg	TR-N3H, N3H/3	0.38kg	TR-N12, N12/3	2.3kg	TR-12NH, 12NH/3	2.25kg
TR-N3Q	0.27kg						
TR-N5, N5/3	0.27kg			TR-N14, N14/3	3.5kg	TR-14NH, 14NH/3	4kg
TR-N5Q	0.27kg						
TR-N6, N6/3	0.61kg	TR-N6H, N6H/3	0.67kg				

## ■ Dimensions, mm

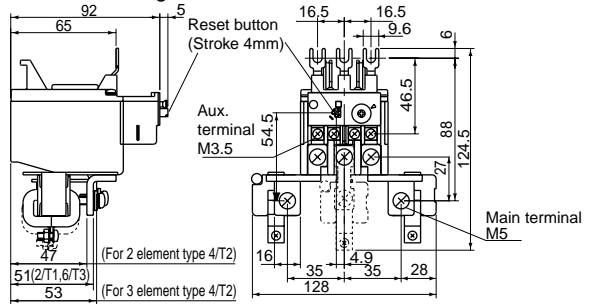
### Long time operating type

#### TR-0NLH, 0NLH/3

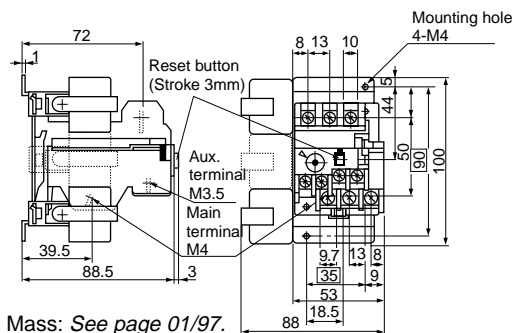


#### TR-N2L, N2L/3

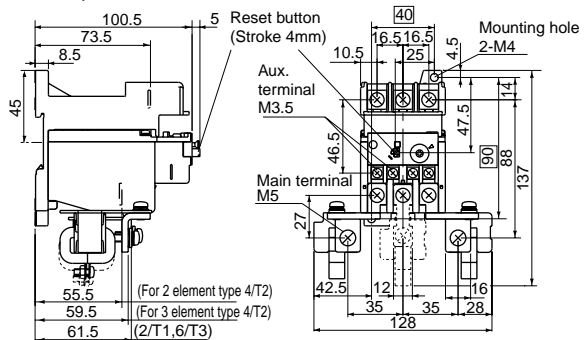
### On-contactor mounting



#### TR-5-1NLH, 5-1NLH/3



#### TR-N2LH, N2LH/3



Mass: See page 01/97.