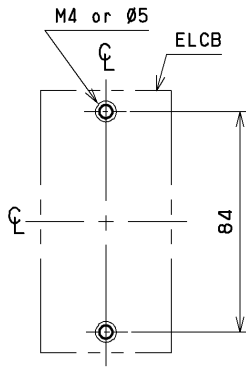
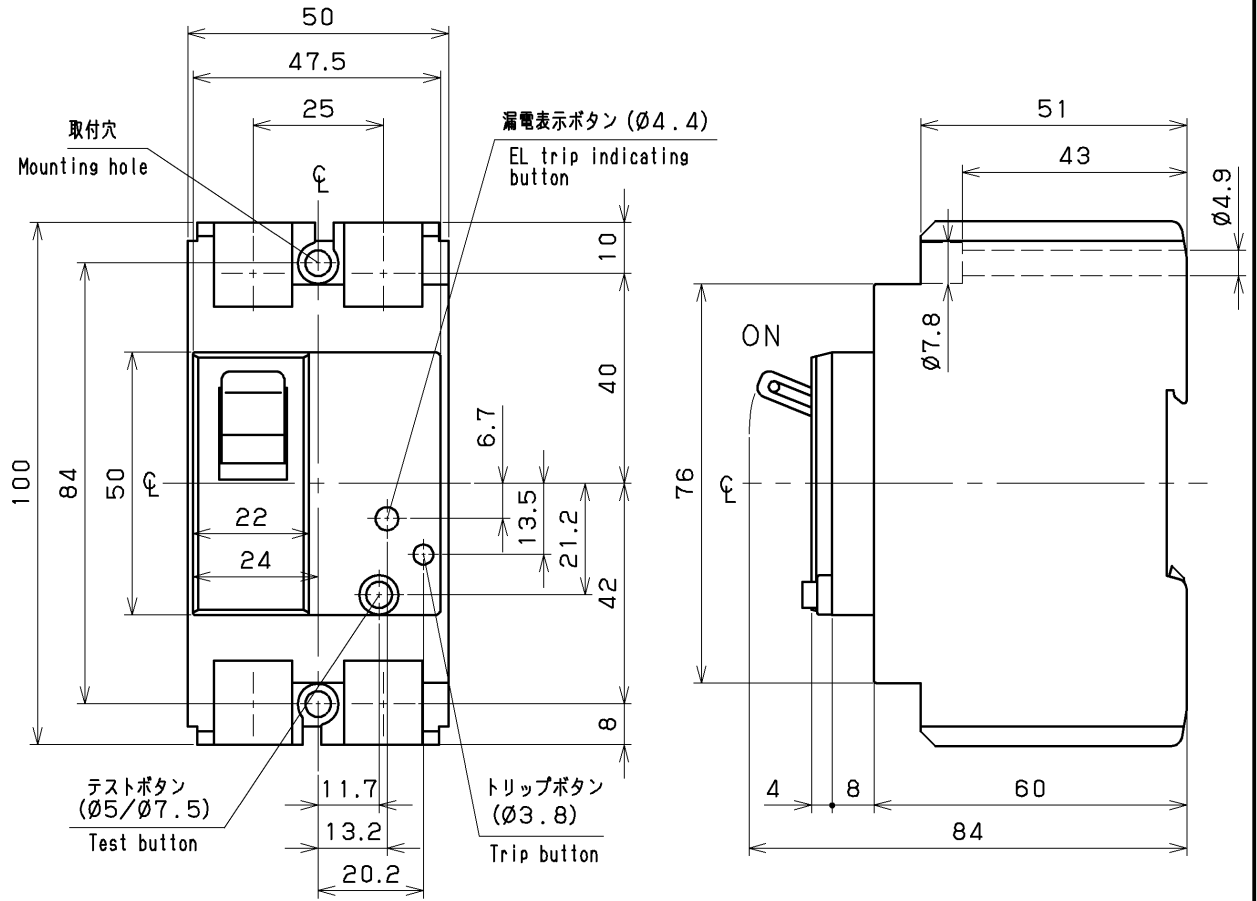
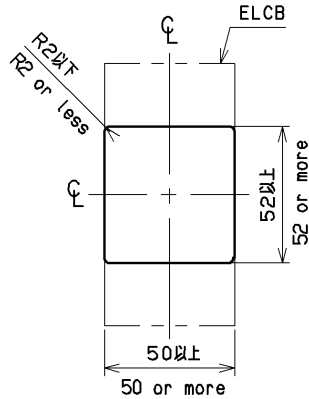


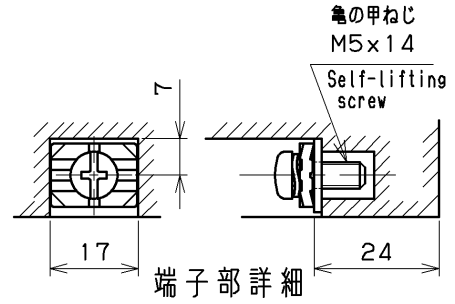
This material and the information herein is the property of Fuji Electric FA Components & Systems Co., Ltd. They shall be neither reproduced, copied, lent, or disclosed in any way whatsoever for the use of any third party, nor used for the manufacturing purposes without the express written consent of Fuji Electric FA Components & Systems Co., Ltd.



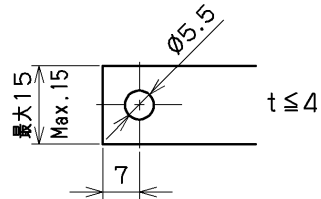
取付穴明寸法
Panel drilling
(NTS)



表板穴明寸法
Front panel cutting
(NTS)



端子部詳細
Terminal section



接続導体加工図

Bus bar cutting size

単位 : mm
UNIT : mm

REVISIONS	③ 適用形式見直しシスル2010-09-01 青木			
Ref.	標準 Standard			
DRAWN	DATE	NAME	APPROVED	SCALE
CHECKED	2009-02-12	佐藤 (力)		1 : √2
			岡本ヤ	

Fuji Electric FA Components & Systems Co., Ltd.

DWG CODE	Digital Drawings 電子化図面	
TITLE	富士漏電遮断器外形図 (2P) OUTLINE DRAWING FOR FUJI EARTH LEAKAGE CIRCUIT BREAKER Type: EW32AAG, EW50AAG	
DRAWING NO.	F541 03 66 (5)	a