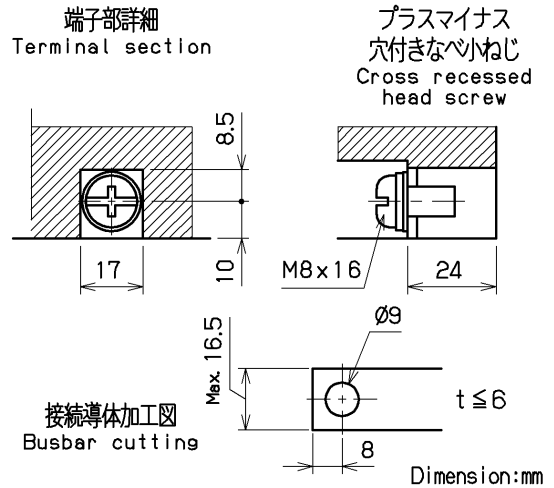
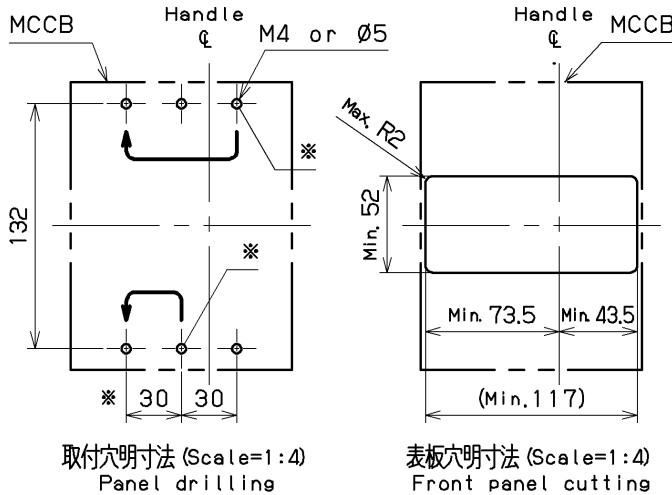
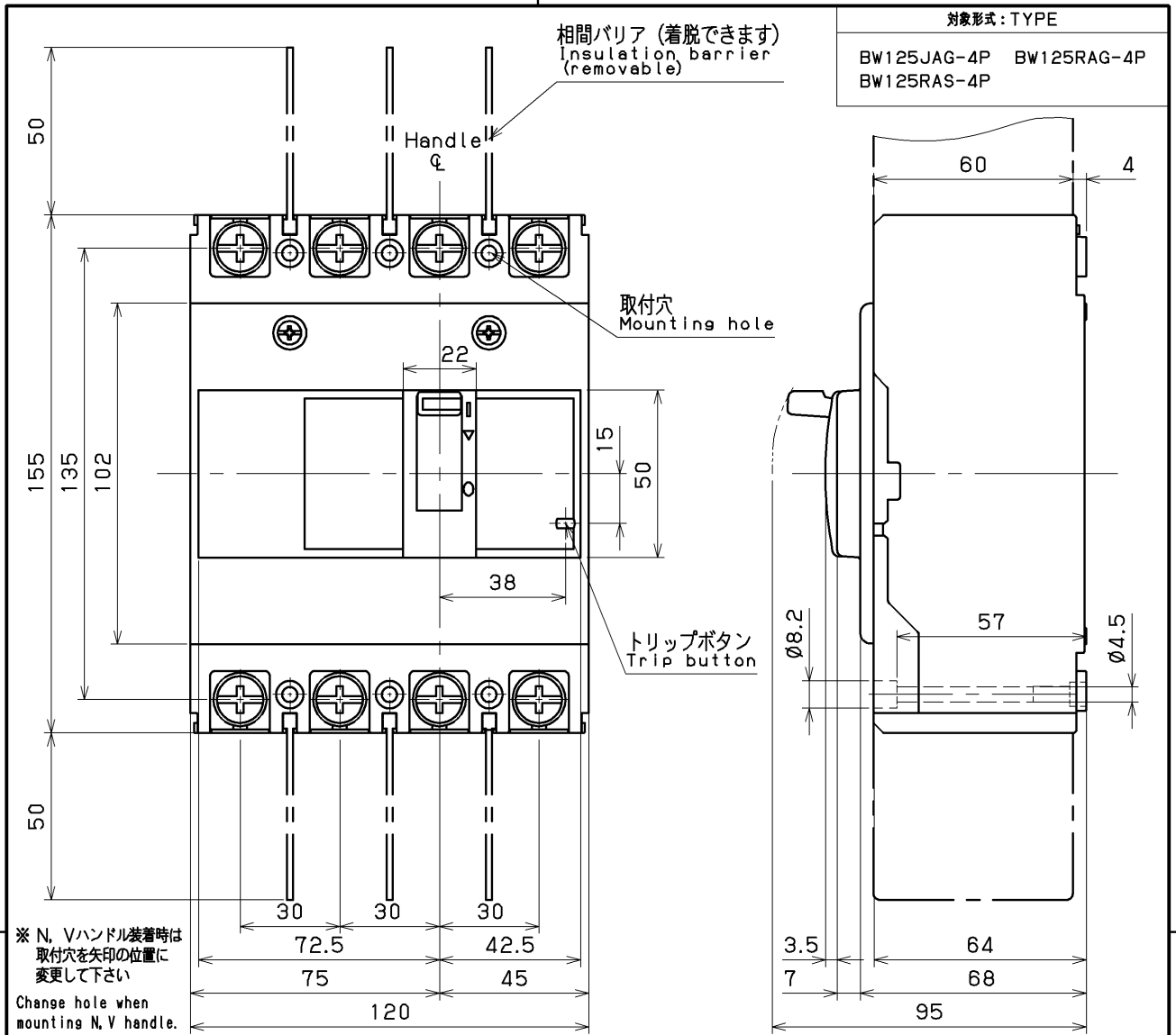


This material and the information herein is the property of Fuji Electric FA Components & Systems Co., Ltd. They shall be neither reproduced, copied, lent, or disclosed in any way whatsoever for the use of any third party, nor used for the manufacturing purposes without the express written consent of Fuji Electric FA Components & Systems Co., Ltd.



REVISIONS	a) 取付寸法変更スル 2008-02-18 浜田			
	b) 対象形式追加スル。 2011-09-21 広瀬			
Ref.				
DRAWN	DATE	NAME	APPROVED	SCALE
CHECKED	2008-02-18	浜田	岡本	1:2

DWG CODE	Digital Drawings 電子化図面		
TITLE	富士オートブレーカ外形図 OUTLINE DRAWING FOR FUJI AUTO BREAKER BW125□□□-4P		
DRAWING NO.	F507 03 03 (5)		b