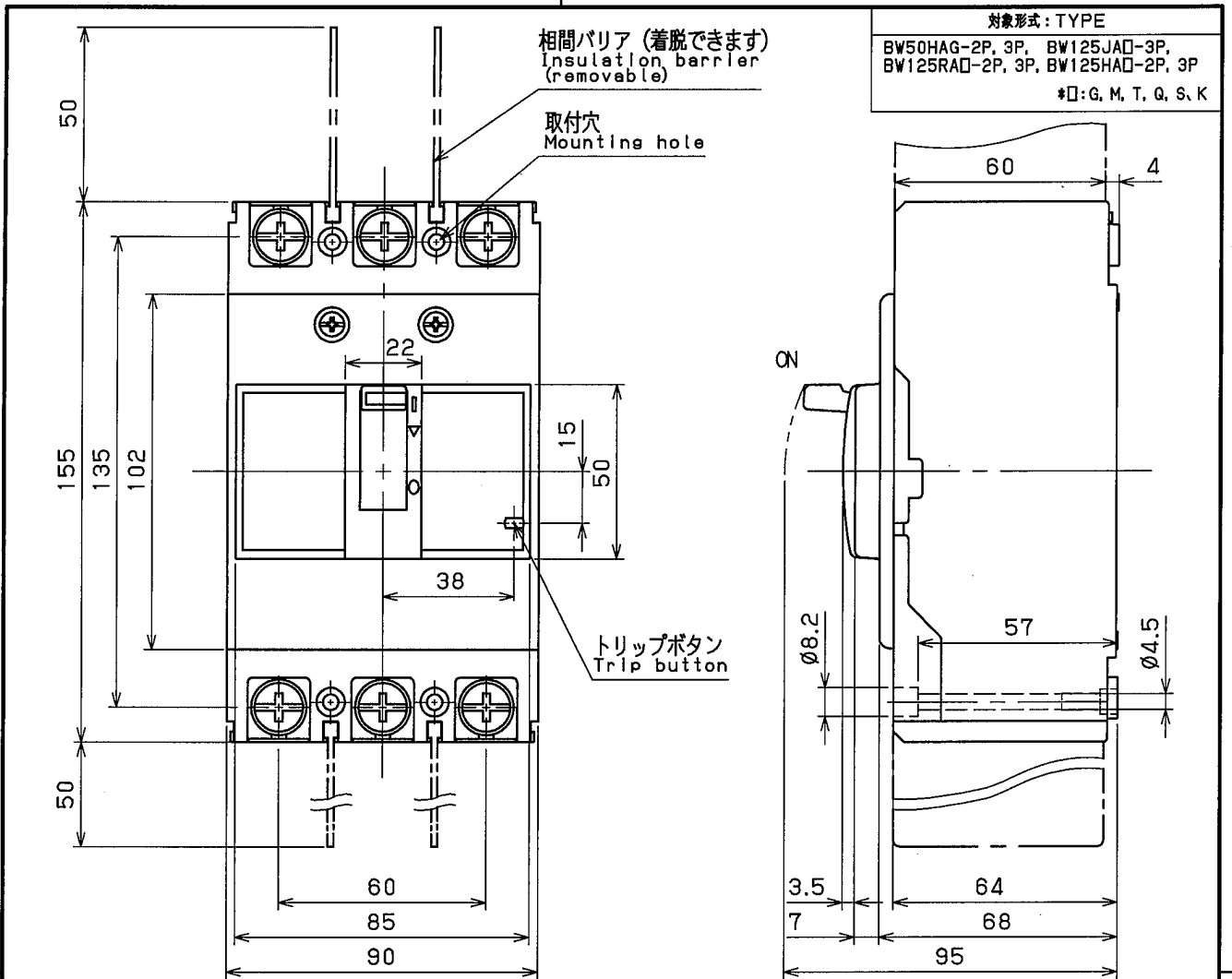
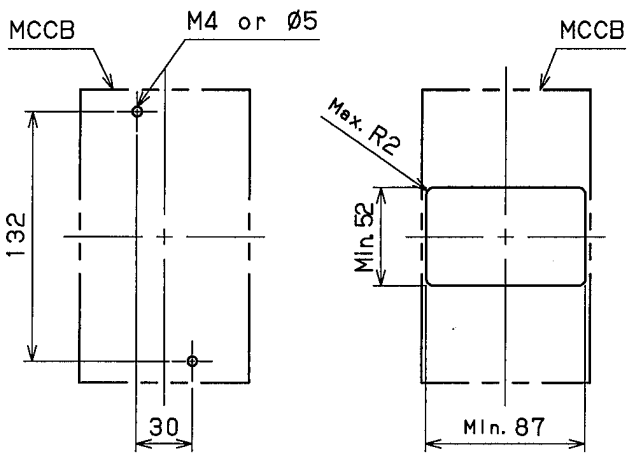


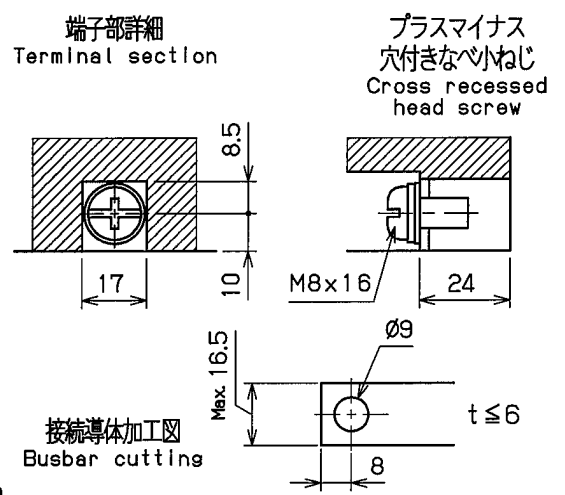
This material and the information herein is the property of Fuji Electric FA Components & Systems Co., Ltd. They shall be neither reproduced, copied, lent, or disclosed in any way whatsoever for the use of any third party, nor used for the manufacturing purposes without the express written consent of Fuji Electric FA Components & Systems Co., Ltd.



対象形式: TYPE  
 BW50HAG-2P, 3P, BW125JA□-3P,  
 BW125RA□-2P, 3P, BW125HA□-2P, 3P  
 \*□: G, M, T, Q, S, K




取付穴明寸法 (scale=1:4) Panel drilling  
 表板穴明寸法 (Scale=1:4) Front panel cutting  
 注) 2極品は、3極品の中央極導体を除いた形状となります。  
 NOTE) 2-Pole breakers are supplied in 3-Pole frame with current carrying parts omitted center pole.



Dimension:mm

REVISIONS	③	取付穴明ノ穴ヲ2ヶ所削除スル。2007-7-11 佐藤
	②	BW50, 125HAG-2P, 3Pヲ追加スル。2010-01-12 安藤
	①	対象形式追加スル 2010-09-22 佐藤ユ
	④	対象形式追加スル 2015-05-26 宮崎

DWG CODE  
 TITLE  
 富士オートブレーカ外形図  
 OUTLINE DRAWING FOR  
 FUJI AUTO BREAKER  
 BW50, 125□□□-2P, 3P

DATE	2010-09-22	NAME	佐藤ユ	APPROVED	 浜田	SCALE	1:2
DRAWN		CHECKED	高橋ヤ				

DRAWING NO. F507 03 02 (5) d

Fuji Electric FA Components & Systems Co., Ltd.