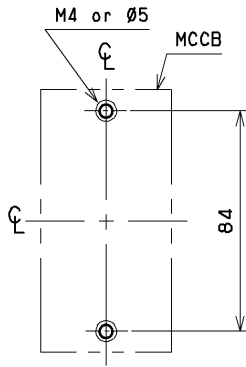
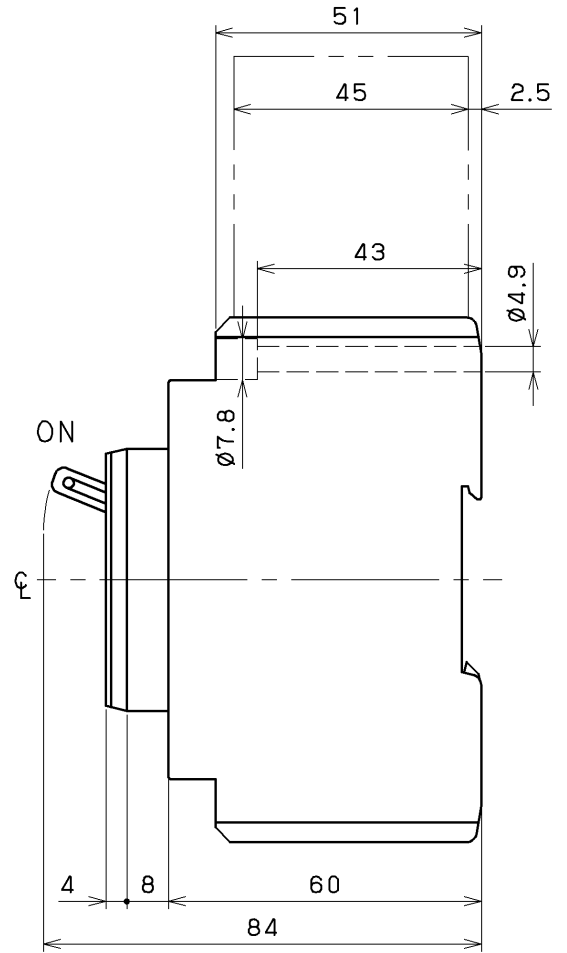
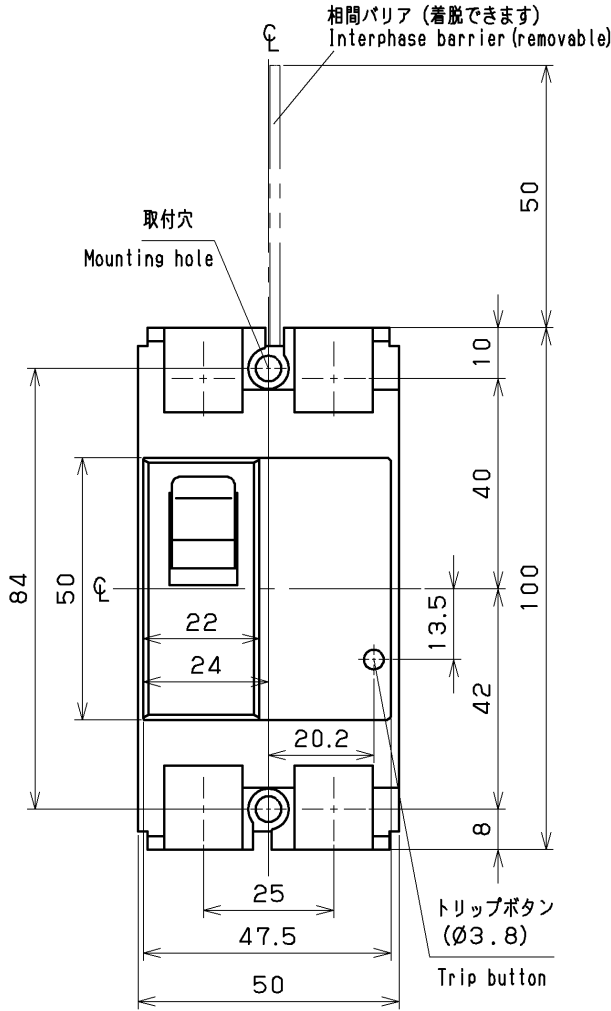
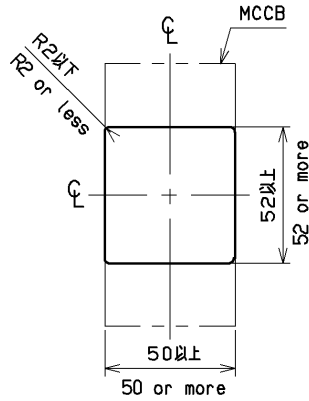


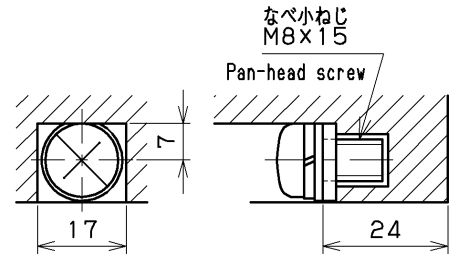
This material and the information herein is the property of Fuji Electric FA Components & Systems Co., Ltd. They shall be neither reproduced, copied, lent, or disclosed in any way whatsoever for the use of any third party, nor used for the manufacturing purposes without the express written consent of Fuji Electric FA Components & Systems Co., Ltd.



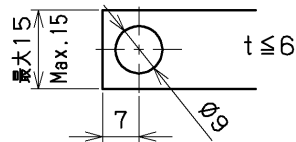
取付穴明寸法
Panel drilling
(NTS)



表板穴明寸法
Front panel cutting
(NTS)



注) 端子部詳細
Terminal section



注) 接続導体加工図
Bus bar cutting size

注) 50A定格ハ
BW50EAG
ト同ジデス。

単位: mm
UNIT: mm

REVISIONS	① 注記追加スル2012-10-19青木			
Ref.	標準 Standard			
DRAWN	DATE	NAME	APPROVED	SCALE
CHECKED	2009-02-12	佐藤 (カ)	岡本	NTS
		川嶋		

DWG CODE	Digital Drawings 電子化図面	
TITLE	富士オートブレーカ外形図 (2P) OUTLINE DRAWING FOR FUJI AUTO BREAKER Type: BW63EAG, BW63SAG, BW63RAG BW100EAG, BW100EAT	
DRAWING NO.	F540 04 11 (5)	a

Fuji Electric FA Components & Systems Co., Ltd.