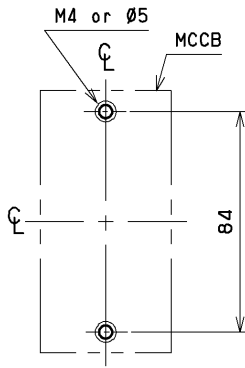
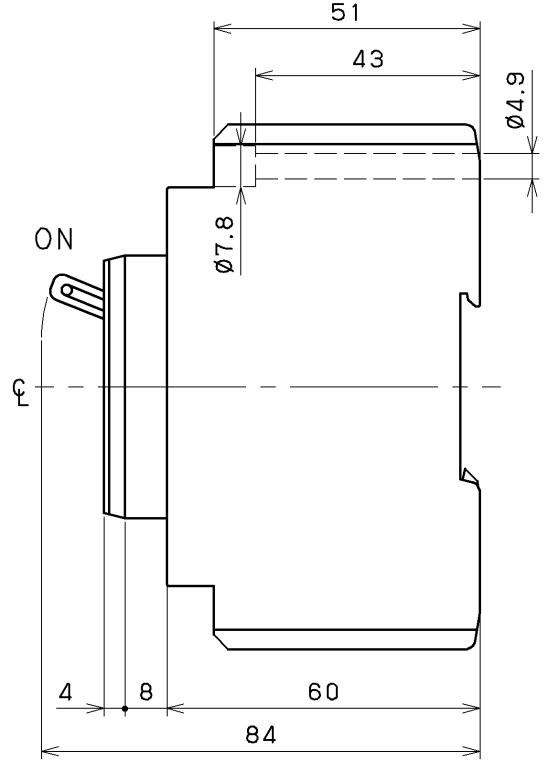
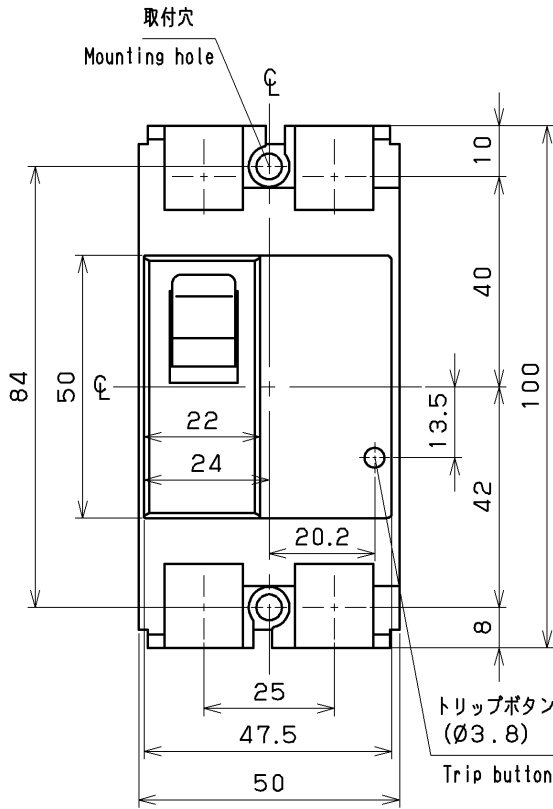
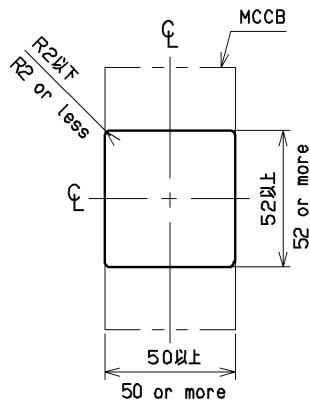


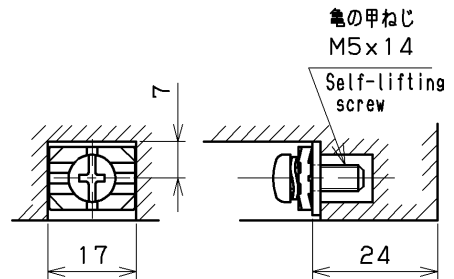
This material and the information herein is the property of Fuji Electric FA Components & Systems Co., Ltd. They shall be neither reproduced, copied, lent, or disclosed in any way whatsoever for the use of any third party, nor used for the manufacturing purposes without the express written consent of Fuji Electric FA Components & Systems Co., Ltd.



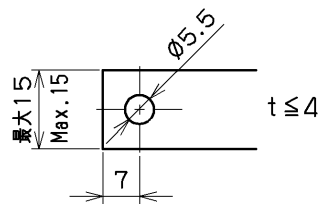
取付穴明寸法
Panel drilling
(NTS)



表板穴明寸法
Front panel cutting
(NTS)



端子部詳細
Terminal section



接続導体加工図
Bus bar cutting size

単位 : mm
UNIT : mm

REVISIONS					DWG CODE	
Ref.					標準 Standard	
DRAWN	DATE	NAME	APPROVED	SCALE	TITLE	
CHECKED	2009-02-12	佐藤 (カ)	浅川	1:√2	富士オートブレーカ外形図 (2P) OUTLINE DRAWING FOR FUJI AUTO BREAKER Type: BW32AAG, BW32SAG, BW50AAG BW50EAG, BW32SAT, BW50EAT BW32SAQ, BW32SAM, BW50EAM	
Fuji Electric FA Components & Systems Co., Ltd.					DRAWING NO.	
					F540 04 09 (5)	

完全CAD図
Perfect CAD drawing