

EQDD
CHIAO TEIN ENTERPRISES CO., LTD

僑電企業有限公司 | 溫州僑電電氣有限公司

2015 CATALOG



目錄 CONTENTS

保險絲系列 FUSE-LINK SERIES	圓柱形保險絲 CYLINDRICAL FUSE LINK	6
	栓型保險絲 D TYPE FUSE LINK	10
	刀型保險絲 HRC FUSE LINK	12
	螺栓連接型保險絲 BS88 FUSE LINK	18
	方型保險絲 SQUARE BODY FUSE LINK	19
	汽車用保險絲 AUTOMOTIVE FUSE	20
	保險絲配件 FUSE ACCESSORY	21
保險絲座系列 FUSE HOLDER SERIES	圓柱型保險絲底座 FUSE HOLDER FOR CYLINDRICAL FUSE LINK	22
	D型保險絲底座 D TYPE FUSE HOLDER	26
	刀型保險絲底座 NH FUSE HOLDER	28
	螺絲固定型底座 SCREW FIXING FUSE HOLDER	32
	保險絲座配件 FUSE HOLDER ACCESSORY	34
信號指示系列 SIGNAL INDICATOR SERIES	信號指示燈及燈泡 SIGNAL BUTTONS & LED	38
	多層式警示燈 TOWER LIGHT	42
按鈕開關系列 BUTTON SWITCH SERIES	S 系列 S SERIES	46
	B 系列 B SERIES	56
	J 系列 J SERIES	64
警報器系列 SIREN SERIES	警報器 SIREN	70
開關系列 SWITCH SERIES	動力押扣開關 MOTIVE SWITCH	72
	搖頭開關 TOGGLE SWITCH	75
行程開關系列 POSITION LIMIT SWITCH SERIES	CT-1 系列微動開關 CT-1 MICRO SWITCH	76
	CT-2 防水型行程開關 CT-2 LIMIT SWITCH	79
	CT-3 系列限動開關 CT-3 LIMIT SWITCH	82
	CT-5 系列限動開關 CT-5 LIMIT SWITCH	84
	CT-7 系列小型限動開關 CT-7 MINITYPE SWITCH	86
	CT-CSA 系列限動開關 CT-CSA LIMIT SWITCH	88
	CT-WL 系列限動開關 CT-WL LIMIT SWITCH	90
	CT-CLS 系列限動開關 CT-CLS LIMIT SWITCH	93
	CT-CS 系列微動開關 CT-CS MICRO SWITCH	96
控制系列 CONTROL SERIES	小型中功率繼電器 MEDIUM-POWER RANGE RELAY	98
	小型大功率繼電器 LARGE-POWER RANGE RELAY	99
	繼電器插座 RELAY SOCKET	100
	腳踏開關 FOOTSWITCH	101
	電源供應器 POWER SUPPLY	102
	儀器儀表系列 METER & INSTRUMENT	104
	溫度控制開關 TEMPERATURE CONTROLLER	106
	端子台系列 TERMINAL BLOCK SERIES	107
	聯絡資訊 CONTACTS	108



僑電企業有限公司

CHIAO TEIN ENTERPRISES CO., LTD.

公司簡介

僑電企業有限公司是臺灣知名電機零件製造以及供應商。於1981年成立，致力於提供全系列完善電機系統整合相關零件、保險絲系列、控制電器系列、繼電器系列、端子版等等。憑藉著完善的產品線以及售後服務，僑電企業有限公司在過去的數十年已在電機界實在地站穩一席之地，更希望與世界各地的客戶一起邁向無數個十年。

僑電於1981年至2000年，長年經營以及代理國外知名品牌、美國Eaton's Bussmann電器、英國GEC電器、日本Daito、德國Jean Müller及斯洛凡尼亞的ETI，奠定了深厚電器知識，銷售管道以及售後處理方式。

有鑑於國內市場缺乏品質與價錢互抗衡的產品，僑電亦然改變經營方針，以提供更多元化產品選擇為目標，且於中國溫州市建立分公司及製造工廠，將臺灣技術、知識與經歷一併統合運用在中國製造廠辦，品牌CTQDQ因而誕生。至今，CTQDQ已擁有圓柱型、D型、刀型、BS88保險絲系列及相對應底座，和附屬相關配件，產品系列仍不斷的研發增加中。

為確保產品的壽命，我們堅持對於原料採取嚴密的控管。採購部門對來源價錢交叉比對維持市場的競爭力，品管部門對成品的吹毛求疵更是我們對使用者安全的保障。

秉持著穩定、品質與價錢合理的準則下，CTQDQ已滿足數千個世界各地的客戶，並與許多相信僑電專業服務的代理商也形成堅定友好的合作關係。

僑電企業有限公司有責任提供完善的產品選擇、使用知識與售後服務，成為您信任的夥伴。

企業核心理念

Specialized 專業

執著每個細節·專精各種技術
僑電自民國70年創立至今，在電的領域裡深耕台灣市場30餘年，一路上秉持在細節上用心專注、在專業知識上精益求精的原則，進而培訓出專業的堅強團隊，不僅打造出物超所值的產品，以達成客戶需求並突破各種困境。

Advanced 進取

感受品牌力量·鑒證品牌蛻變
勇於不敢是僑電追求更弘遠目標的理念。將生產流程、產品質量嚴格的控管外，追求好要再更好、盡善盡美的精神，同時為開闢更好的產品價值且永續經營，投入新產品的研究開發，與客戶一同創造更大的市場。

Fast 快速

高效率的服務·第一手的資訊
用誠信負責的態度將客戶需求做最有效率的方式處理，提供市場上第一手的訊息讓設備更穩定準確的保護，僑電服務精神是您唯一的信賴。

Environment 環境

創造綠色能源·改變未來生活
在追求先進的科技之餘，僑電更致力於環保節能，投入保護太陽能系統、電動機車保險絲等研發，給我們下一代更乾淨的環境。

SAFE

結合四大核心價值，以穩定的質量讓客戶心安是僑電最大的成就與責任。僑電將持續秉持此信念與各界夥伴一同並進。



ABOUT US

Chiao Tein Enterprises Co., Ltd is one of the leading electrical component manufacturers and suppliers in Taiwan.

Established in 1981, by offering a complete solution from Fuse Series, Control Series, Relay Series and Terminal Boards, we gained a well known reputation over decades in the field of electrical and automatic control components.

Between 1981-2000, Chiao Tein Enterprises had been representing several international widely known electrical brands from USA(Eaton's Bussmann), UK(GEC), Japan(Daito), Germany(Jean Müller) and Slovenia(ETI) as Taiwanese certified distributor.

Driven by the fact that lacking of cost and performance balanced products in the market, Chiao Tein decided to achieve this task by offering more variety choices and new stimulation. We established a branch office and factory in Wenzhou, China to broaden the product portfolio with trained staff and experienced engineers to manufacture and design its own brand - CTQDQ. It had developed cylindrical, D-type, HRC, BS88 and related bases and accessories over past 8 years and is still enlarging the linecard year by year.

By selecting the rightful sources of raw materials, we ensure the basic but important requirement to be a long-term usage product, by doing cross-comparison, we guarantee a competitive price to challenge the market, by manually filtering the finished products, we confirm the quality to satisfy the users.

Under the principles: Steady, Quality and Cost Friendly, CTQDQ had satisfied more than thousands of customers around the world. We've formed a long-term partnership with most of our distributors who believe in our proficiency, service and punctual delivery.

We're committed to be your trustworthy partner, offering complete electrical solution, customers can simply peruse one-stop shopping without further troubles.

BUSINESS PHILOSOPHY

Specialized

Detail oriented, technical expertise

Established in 1980, Chiao Tein Enterprise Co., Ltd has been working in Taiwanese electrical field for more than 30 years, by focusing on technical details, striving for excellence, we learned and formed a strong and knowledgeable team that not only provides quality products but also consistently accompany our partners to pass every obstacle in the business.

Advanced

Brand name experience and emergence

"Courageous in not daring to live" is our long-term vision and strategy. Not only focus on the manufacturing process and product quality, but also pursuing better and the best result is our core responsibility in the team. We believe if we do a good job of long term planning, innovation and execution, the future and a promising market will be there with our partners and us.

Fast

Efficiency, Updated

By sincerity and trustful service, we take our customers request as first priority, offering the most updated technical information in order to assure the performance. Our greatest goal is to achieve and maintain complete customer satisfaction.

Environment

Sustainable energy, create a better future

Chiao Tein Enterprises Co., Ltd constantly pursues green energy in addition to fighting for updated technology. By investing in solar system and automotive fuses for electric motorcycles and scooters, we reassure a clean and continual environment.

SAFE

Specialized, Advanced, Fast and Environment, concludes these 4 factors into Chiao Tein Enterprises Co., Ltd core spirits. Based on these believes, we will non-stop strive, fight and grow up with our partners and welcome more and more competitive future.



資質與榮譽

僑電自創建以來，為產品質量奠定了堅實的基礎，多數產品獲得CE、3C、ROSH、TUV等多項認證，並通過ISO9001國際標準質量體系認證。



CHIAO TEIN ENTERPRISES CO. LTD

圓柱型保險絲

本系列保險絲主要作為電氣線路的過載和短路保護(gG)；還可配為半導體設備的短路保護(aR)及電動機短路保護(aM)。

由銅製成的多截面熔體封裝於由高強度陶瓷製成的熔管內，熔管中充滿經化學處理過的高純度石英砂作為消弧介質；保險絲兩端採用點焊與端帽牢固相連接。TP系列保險絲帶有跳脫指示，當保險絲熔斷時，跳脫指示立即彈出，推動微動開關，發出各種信號或自動切換電路。

CYLINDRICAL FUSE LINK

Cylindrical fuse links are used as general protection against overloads and short-circuits (gG), protecting semiconductor devices from short-circuits (aR), also preventing short-circuits situation in motors (aM).

Copper-made multi-sections element is encapsulated in a ceramic cylindrical tube, by applying high-purity quartz sand that act as cooling, absorbing agent and make the arc gradient and start to burn. The both end caps are firmly welded and compressed on the ceramic body, and the blow-out striker provides not only the visual sign when the element is melted but also may trigger micro switch, send signals or switching loop (TP Series).

1085

材質 玻璃纖維, 銅 Material: Glass fiber, Copper

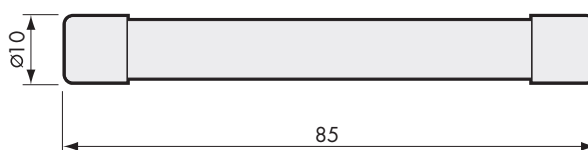
電壓 Voltage: AC1500V

特性 Character: gG

短路容量 Breaking Capacity: 100kA



額定電流 Amp.	型號 Part No.	尺寸規格 Spec	重量 Weight (g)
1	CT-1085-1	10 x 85	11.4
2	CT-1085-2		
4	CT-1085-4		
6	CT-1085-6		
8	CT-1085-8		
10	CT-1085-10		
12	CT-1085-12		
16	CT-1085-16		



Unit: mm

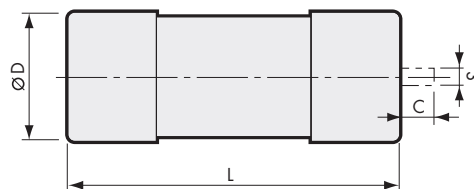
10 x 38 14 x 51 22 x 58

材質 陶瓷, 銅 Material: Porcelain, Copper
 電壓 Voltage: AC600V
 電流 Current: 1A~125A
 尺寸 Dimension: 10 x 38, 14 x 51, 22 x 58
 特性 Character: gG, aM, aR
 短路容量 Breaking Capacity: 100kA



額定電流 Amp.	型號 Part No.						尺寸 Size	尺寸規格 Spec	重量 Weight (g)
	gG型 gG Type	gG Type 附跳脫指示 With Striker	aM型 aM Type	aM Type 附跳脫指示 With Striker	aR型 aR Type	aR Type 附跳脫指示 With Striker			
1	CT-10G01		CT-10M01				1	10 x 38	7.7
2	CT-10G02	CT-TP10G02	CT-10M02	CT-TP10M02	CT-10SF02	CT-TP10SF02			
4	CT-10G04	CT-TP10G04	CT-10M04	CT-TP10M04	CT-10SF04	CT-TP10SF04			
6	CT-10G06	CT-TP10G06	CT-10M06	CT-TP10M06	CT-10SF06	CT-TP10SF06			
8	CT-10G08	CT-TP10G08	CT-10M08	CT-TP10M08	CT-10SF08	CT-TP10SF08			
10	CT-10G10	CT-TP10G10	CT-10M10	CT-TP10M10	CT-10SF10	CT-TP10SF10			
12	CT-10G12	CT-TP10G12	CT-10M12	CT-TP10M12	CT-10SF12	CT-TP10SF12			
16	CT-10G16	CT-TP10G16	CT-10M16	CT-TP10M16	CT-10SF16	CT-TP10SF16			
20	CT-10G20	CT-TP10G20	CT-10M20	CT-TP10M20	CT-10SF20	CT-TP10SF20			
25	CT-10G25	CT-TP10G25	CT-10M25	CT-TP10M25	CT-10SF25	CT-TP10SF25			
32	CT-10G32	CT-TP10G32	CT-10M32	CT-TP10M32	CT-10SF32	CT-TP10SF32			
6	CT-14G06	CT-TP14G06	CT-14M06	CT-TP14M06	CT-14SF06	CT-TP14SF06			
8	CT-14G08	CT-TP14G08	CT-14M08	CT-TP14M08	CT-14SF08	CT-TP14SF08			
10	CT-14G10	CT-TP14G10	CT-14M10	CT-TP14M10	CT-14SF10	CT-TP14SF10			
12	CT-14G12	CT-TP14G12	CT-14M12	CT-TP14M12	CT-14SF12	CT-TP14SF12			
16	CT-14G16	CT-TP14G16	CT-14M16	CT-TP14M16	CT-14SF16	CT-TP14SF16			
20	CT-14G20	CT-TP14G20	CT-14M20	CT-TP14M20	CT-14SF20	CT-TP14SF20			
25	CT-14G25	CT-TP14G25	CT-14M25	CT-TP14M25	CT-14SF25	CT-TP14SF25			
32	CT-14G32	CT-TP14G32	CT-14M32	CT-TP14M32	CT-14SF32	CT-TP14SF32			
40	CT-14G40	CT-TP14G40	CT-14M40	CT-TP14M40	CT-14SF40	CT-TP14SF40			
50	CT-14G50	CT-TP14G50	CT-14M50	CT-TP14M50	CT-14SF50	CT-TP14SF50			
63	CT-14G63	CT-TP14G63	CT-14M63	CT-TP14M63	CT-14SF63	CT-TP14SF63			
25	CT-22G25	CT-TP22G25	CT-22M25	CT-TP22M25	CT-22SF25	CT-TP22SF25	3	22 x 58	58
40	CT-22G40	CT-TP22G40	CT-22M40	CT-TP22M40	CT-22SF40	CT-TP22SF40			
50	CT-22G50	CT-TP22G50	CT-22M50	CT-TP22M50	CT-22SF50	CT-TP22SF50			
63	CT-22G63	CT-TP22G63	CT-22M63	CT-TP22M63	CT-22SF63	CT-TP22SF63			
80	CT-22G80	CT-TP22G80	CT-22M80	CT-TP22M80	CT-22SF80	CT-TP22SF80			
100	CT-22G100	CT-TP22G100	CT-22M100	CT-TP22M100	CT-22SF100	CT-TP22SF100			
125	CT-22G125	CT-TP22G125	CT-22M125	CT-TP22M125	CT-22SF125	CT-TP22SF125			

Size	D	L	C*
1	10.3	38	6
2	14	51	6
3	22.2	58	6



Unit: mm

* 跳脫指示 Striker

15 x 50 22 x 76

材質 陶瓷, 銅 Material: Porcelain, Copper

電壓 Voltage: AC600V

電流 Current: 1A~60A

尺寸 Dimension: 15 x 50, 22 x 76

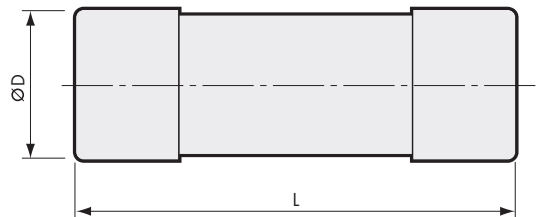
特性 Character: gG

短路容量 Breaking Capacity: 100kA



額定電流 Amp.	型號 Part No.		尺寸 Size	尺寸規格 Spec	重量 Weight (g)
	15 x 50	22 x 76			
1	CT-15G01		1	UC-1	23.1
3	CT-15G03				
5	CT-15G05				
10	CT-15G10				
15	CT-15G15				
20	CT-15G20				
25	CT-15G25				
30	CT-15G30				
32	CT-15G32				
20		CT-20G20	2	UC-2	57.7
25		CT-20G25			
32		CT-20G32			
40		CT-20G40			
50		CT-20G50			
60		CT-20G60			

Size	D	L
1	15.2	50.4
2	22.3	76.4



Unit: mm

SOLAR PHOTOVOLTAIC FUSE

太陽能保險絲

材質 陶瓷,銅 Material: Porcelain, Copper

電壓 Voltage: DC1000V

電流 Current: 1A~25A

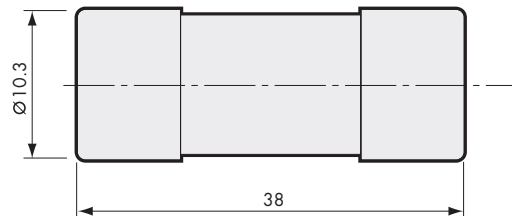
尺寸 Dimension: 10 x 38

特性 Character: gPV

短路容量 Breaking Capacity: 33kA



額定電流 Amp.	型號 Part No.	尺寸規格 Spec	重量 Weight (g)
1	CT-10PV01	10 x 38	7.7
2	CT-10PV02		
3	CT-10PV03		
4	CT-10PV04		
5	CT-10PV05		
6	CT-10PV06		
8	CT-10PV08		
10	CT-10PV10		
12	CT-10PV12		
15	CT-10PV15		
16	CT-10PV16		
20	CT-10PV20		
25	CT-10PV25		



Unit: mm



栓型保險絲

本系列保險絲主要作為電氣線路的過載和短路保護(gG)。

由銅製成的多截面熔體封裝於由高強度陶瓷製成的熔管內，熔管中充滿經化學處理過的高純度石英砂作為消弧介質。保險絲端帽上帶有跳脫指示，當保險絲熔斷時，跳脫指示立即彈出，適時提醒使用者更換保險絲。

D TYPE FUSE LINK

D Type is mainly used to against electrical overload and short-circuit protection (gG).

Copper-made multi-section element is encapsulated in a high-intensity ceramic body which filled with pure quartz sand as an arc extinguisher. External trip indicator will be shown when short circuits, overloading, mismatched loads or device failure happened.

D TYPE

材質 陶瓷, 銅 Material: Porcelain, Copper

電壓 Voltage: AC400V

特性 Character: gG

短路容量 Breaking Capacity: 50kA



額定電流 Amp.	型號 Part No.	尺寸 Size	尺寸規格 Spec	重量 Weight (g)
2	CT-D01-2	1	E14	12.7
4	CT-D01-4			
6	CT-D01-6			
10	CT-D01-10			
16	CT-D01-16			
20	CT-D02-20	1	E18	13.8
25	CT-D02-25			
35	CT-D02-35			
50	CT-D02-50			
63	CT-D02-63			

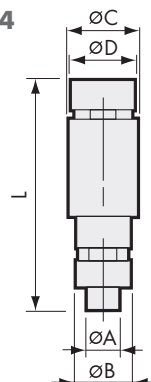
Type E14

Size	A	B	C	D	L
1	5	7.3	10.6	10.5	36
2	5	8.5	10.6	10.5	36
3	5	9.7	10.6	10.5	36

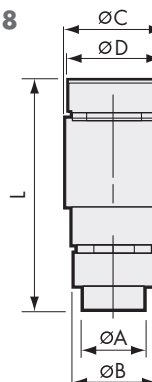
Type E18

Size	A	B	C	D	L
1	8.5	12.5	15	14	36
2	8.5	15.5	15	14	36

E14



E18



Unit: mm

D TYPE

材質 陶瓷, 銅 Material: Porcelain, Copper

電壓 Voltage: AC500V

特性 Character: gG

短路容量 Breaking Capacity: 50kA



額定電流 Amp.	型號 Part No.	尺寸 Size	尺寸規格 Spec	重量 Weight (g)
2	CT-DI2	11	E16	11.7
4	CT-DI4			
6	CT-DI6			
10	CT-DI10	12		
16	CT-DI16	13		
20	CT-DI20	14		
25	CT-DI25			
30	CT-DI30			
2	CT-DII2	21	E27	24.8
4	CT-DII4			
6	CT-DII6			
10	CT-DII10	22		
16	CT-DII16	23		
20	CT-DII20	24		
25	CT-DII25	25		
30	CT-DII30			
35	CT-DIII35		31	E33
40	CT-DIII40			
50	CT-DIII50	32		
63	CT-DIII63	33		
80	CT-DIII80			

Type E16

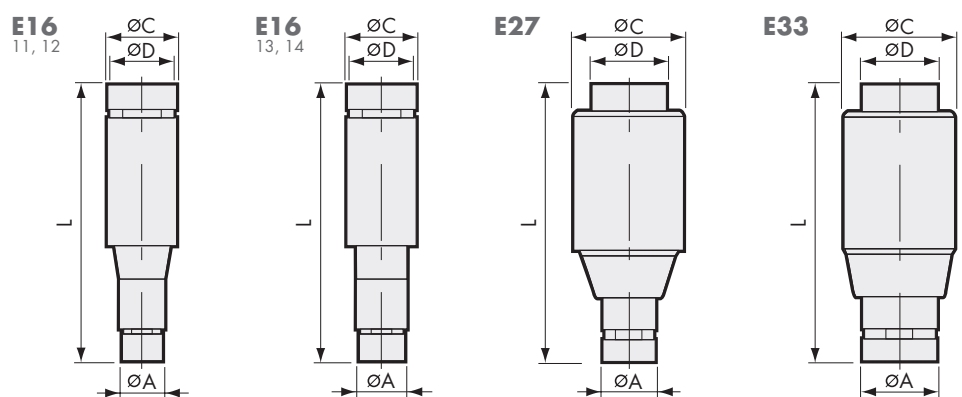
Size	A	C	D	L
11	6	12.5	11.3	50
12	8	12.5	11.3	50
13	10	12.5	11.3	50
14	11	12.5	11.3	50

Type E27

Size	A	C	D	L
21	6	22	14	50
22	8	22	14	50
23	10	22	14	50
24	12	22	14	50
25	14	22	14	50

Type E33

Size	A	C	D	L
31	16	26	20	50
32	18	26	20	50
33	20	26	20	50



Unit: mm



刀型保險絲

本系列保險絲主要作為電氣線路的過載和短路保護(gG)；還可配為半導體設備的短路保護(aR)，及電動機短路保護(aM)。

由銅製成的多截面熔體封裝於由高強度陶瓷製成的熔管內，熔管中充滿經化學處理過的高純度石英砂作為消弧介質。保險絲兩端採用點焊與連接板牢固電連接，組成刀型觸頭插入式結構。保險絲可帶有警告指示，當熔斷時能及時提醒使用者以利更換。

HRC FUSE LINK

HRC Type is mainly used to against electrical overload and short-circuit protection (gG), also capable to secure semiconductors (aR) and motor drives installation (aM).

Copper-made multi-section element is encapsulated in a high-intensity ceramic body which filled with pure quartz sand as an arc extinguisher. The ends are point welded to the contact blades, the two ends of the enclosure are terminated by metal plates having high mechanical strength. Trip indicator is also equipped when overloading is occurred.

NH

材質 陶瓷,銅 Material: Porcelain, Copper

電壓 Voltage: AC500V, 690V

特性 Character: gG, aM, aR

短路容量 Breaking Capacity: 50~120kA



額定電流 Amp.	型號 Part No.				尺寸 Size	尺寸規格 Spec	重量 Weight (g)
	gG 500V 120kA	gG, 690V 50kA 雙告警指示 Double Indicator	aR, 690V 50kA 雙告警指示 Double Indicator	aM, 690V 50kA 雙告警指示 Double Indicator			
6	CT-00C6G	CT-00CS6G	CT-00CS6SF	CT-00CS6M	001	NH00C	122.5
10	CT-00C10G	CT-00CS10G	CT-00CS10SF	CT-00CS10M			
16	CT-00C16G	CT-00CS16G	CT-00CS16SF	CT-00CS16M			
20	CT-00C20G	CT-00CS20G	CT-00CS20SF	CT-00CS20M			
25	CT-00C25G	CT-00CS25G	CT-00CS25SF	CT-00CS25M			
35	CT-00C35G	CT-00CS35G	CT-00CS35SF	CT-00CS35M			
40	CT-00C40G	CT-00CS40G	CT-00CS40SF	CT-00CS40M			
50	CT-00C50G	CT-00CS50G	CT-00CS50SF	CT-00CS50M			
63	CT-00C63G	CT-00CS63G	CT-00CS63SF	CT-00CS63M			
80	CT-00C80G	CT-00CS80G	CT-00CS80SF	CT-00CS80M			
100	CT-00C100G	CT-00CS100G	CT-00CS100SF				
100	CT-00100G	CT-00S100G	CT-00S100SF	CT-00S100M	002	NH00	187
125	CT-00125G	CT-00S125G	CT-00S125SF	CT-00S125M			
160	CT-00160G	CT-00S160G	CT-00S160SF	CT-00S160M			

NH

材質 陶瓷, 銅 Material: Porcelain, Copper

電壓 Voltage: AC500V, 690V

特性 Character: gG, aM, aR

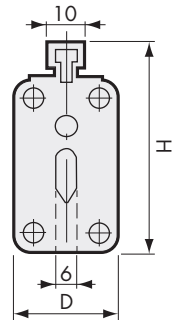
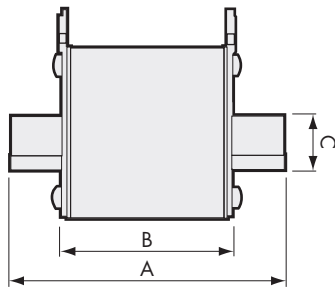
短路容量 Breaking Capacity: 50~120kA



額定電流 Amp.	型號 Part No.				尺寸 Size	尺寸規格 Spec	重量 Weight (g)
	gG 500V 120kA	gG, 690V 50kA 雙告警指示 Double Indicator	aR, 690V 50kA 雙告警指示 Double Indicator	aM, 690V 50kA 雙告警指示 Double Indicator			
160	CT-01160G	CT-01S160G	CT-01S160SF	CT-01S160M	1	NH01	400
200	CT-01200G	CT-01S200G	CT-01S200SF	CT-01S200M			
250	CT-01250G	CT-01S250G	CT-01S250SF	CT-01S250M			
250	CT-02250G	CT-02S250G	CT-02S250SF	CT-02S250M	2	NH02	598
300	CT-02300G	CT-02S300G	CT-02S300SF	CT-02S300M			
350	CT-02350G	CT-02S350G	CT-02S350SF	CT-02S350M			
400	CT-02400G		CT-02S400SF				
400	CT-03400G	CT-03S400G	CT-03S400SF	CT-03S400M	3	NH03	832
500	CT-03500G	CT-03S500G	CT-03S500SF	CT-03S500M			
630	CT-03630G	CT-03S630G	CT-03S630SF				
800	CT-04800G				4	NH04	975
1000	CT-041000G						
1250	CT-041250G						

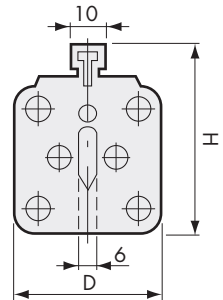
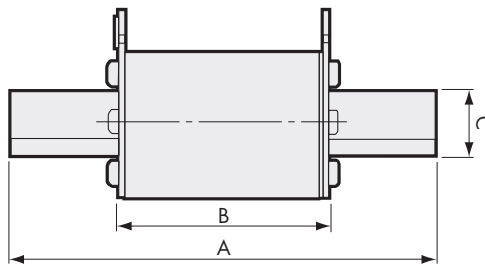
Type NH00C, NH00

Size	A	B	C	D	H
001	78	49.5	15	21	52.5
002	78	50.5	15	30	58



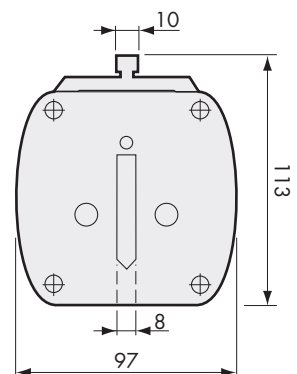
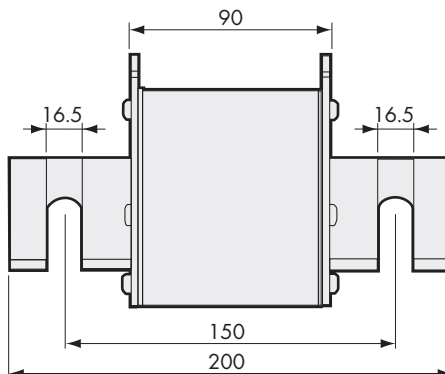
Type NH1, NH2, NH3

Size	A	B	C	D	H
1	133	67	19	46	59
2	149	68	25	59	70
3	149	68	32	67	80



Type NH4

Size 4



Unit: mm

NH

材質 陶瓷,銅 Material: Porcelain, Copper

電壓 Voltage: AC500V, 690V

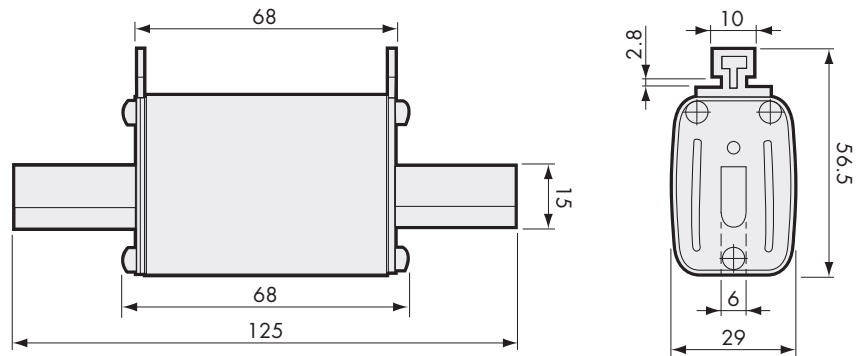
特性 Character: gG

短路容量 Breaking Capacity: 50~120kA



額定電流 Amp.	型號 Part No.		尺寸規格 Spec	重量 Weight (g)
	gG 500V 120kA	gG 690V 50kA		
4	CT-04G	CT-04G1	NH0	252
6	CT-06G	CT-06G1		
10	CT-010G	CT-010G1		
16	CT-016G	CT-016G1		
20	CT-020G	CT-020G1		
25	CT-025G	CT-025G1		
35	CT-035G	CT-035G1		
40	CT-040G	CT-040G1		
50	CT-050G	CT-050G1		
63	CT-063G	CT-063G1		
80	CT-080G	CT-080G1		
100	CT-0100G	CT-0100G1		
125	CT-0125G	CT-0125G1		
160	CT-0160G			

Type NH0



Unit: mm

L

材質 陶瓷,銅 Material: Porcelain, Copper

電壓 Voltage: AC690V

特性 Character: aR

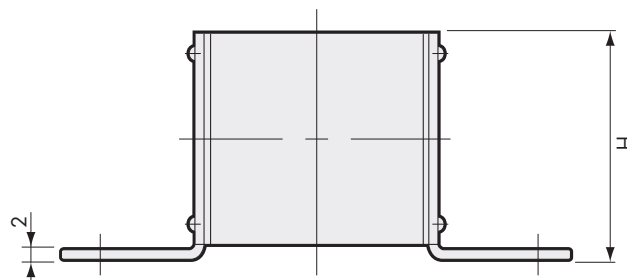
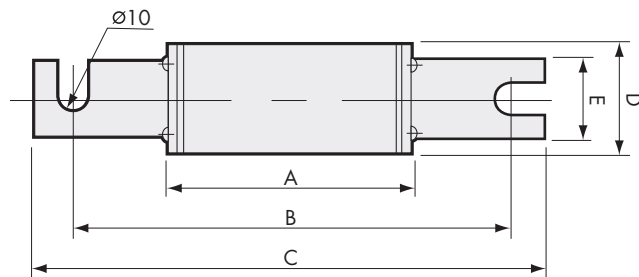
短路容量 Breaking Capacity: 50kA



額定電流 Amp.	型號 Part No.	尺寸 Size	尺寸規格 Spec	重量 Weight (g)
6	CT-00CL6SF	1	00C	63.7
10	CT-00CL10SF			
16	CT-00CL16SF			
20	CT-00CL20SF			
25	CT-00CL25SF			
35	CT-00CL35SF			
40	CT-00CL40SF			
50	CT-00CL50SF			
63	CT-00CL63SF			
80	CT-00CL80SF			
100	CT-00CL100SF			
100	CT-00L100SF	2	00	84.3
125	CT-00L125SF			
160	CT-00L160SF			

Type 00C, 00

Size	A	B	C	D	E	H
1	51	77	97	21	20	44
2	51	77	102	29	27	47



Unit: mm

L

材質 陶瓷,銅 Material: Porcelain, Copper

電壓 Voltage: AC690V

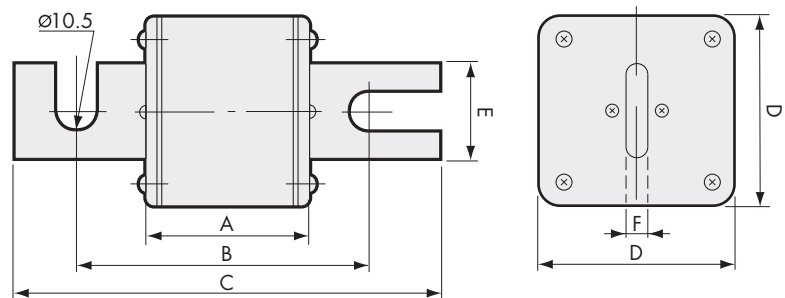
特性 Character: aR

短路容量 Breaking Capacity: 50kA



額定電流 Amp.	型號 Part No.	尺寸 Size	尺寸規格 Spec	重量 Weight (g)
63	CT-01L63SF	1	01	458
80	CT-01L80SF			
100	CT-01L100SF			
125	CT-01L125SF			
160	CT-01L160SF			
200	CT-01L200SF			
250	CT-01L250SF			
80	CT-02L80SF	2	02	654
100	CT-02L100SF			
125	CT-02L125SF			
160	CT-02L160SF			
200	CT-02L200SF			
250	CT-02L250SF			
315	CT-02L315SF			
350	CT-02L350SF	3	03	920
400	CT-02L400SF			
150	CT-03L150SF			
200	CT-03L200SF			
250	CT-03L250SF			
315	CT-03L315SF			
350	CT-03L350SF			
400	CT-03L400SF			
450	CT-03L450SF			
500	CT-03L500SF			
550	CT-03L550SF			
630	CT-03L630SF			

Size	A	B	C	D	E	F
1	68	110	140	48	25	6
2	68	110	140	58	32	6
3	68	110	140	67	38	6



Unit: mm

RS

材質 陶瓷, 銅 Material: Porcelain, Copper

電壓 Voltage: AC250~750V

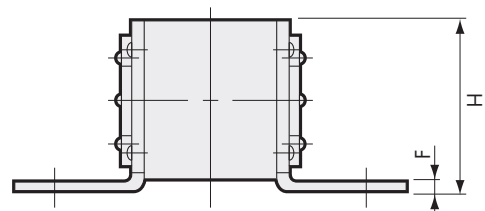
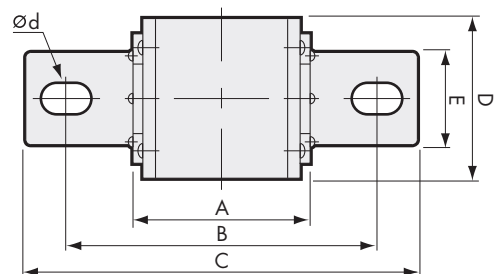
特性 Character: aR

短路容量 Breaking Capacity: 100kA



額定電流 Amp.	型號 Part No.	電壓 Voltage	尺寸 Size	尺寸規格 Spec	重量 Weight (g)
63	CT-RS0-63	250, 500V	1	RS0	400
80	CT-RS0-80				
100	CT-RS0-100				
120	CT-RS1-120	250, 500V	2	RS1	482
160	CT-RS1-160				
200	CT-RS1-200				
200	CT-RS2-200	250, 750V	3	RS2	670
250	CT-RS2-250				
315	CT-RS2-315				
350	CT-RS2-350				
400	CT-RS2-400				
300	CT-RS3-300	250, 750V	4	RS3	1058
350	CT-RS3-350				
400	CT-RS3-400				
450	CT-RS3-450				
500	CT-RS3-500				
550	CT-RS3-550				
600	CT-RS3-600				
500	CT-RS4-500	500, 750V	5	RS4	1760
550	CT-RS4-550				
630	CT-RS4-630				
700	CT-RS4-700				
800	CT-RS4-800				
900	CT-RS4-900				
1000	CT-RS4-1000				

Size	A	B	C	D	E	F	H	∅d
1	70	120	140	40	20	2	43	7x10.5
2	72	120	145	46	29	3	50	9x13.5
3	72	120	150	55	30	3	60	9x13.5
4	76	120	155	66	40	5	72	13x19.5
5	76	136	173	85	50	5	91	17



Unit: mm

螺栓連接型保險絲

BS88 FUSE LINK

本系列保險絲主要配為半導體設備的短路保護(aR)。

由銅製成的多截面熔體封裝於由高強度陶瓷製成的熔管內，熔管中充滿經化學處理過的高純度石英砂作為消弧介質。保險絲兩端採用點焊與連接板牢固電連接。

BS88 Series is designed to protect semiconductors (aR).

Copper-made multi-section element is encapsulated in a high-intensity ceramic body which filled with pure quartz sand as an arc extinguisher. The ends are point welded to the contact blades, the two ends of the enclosure are terminated by metal plates having high mechanical strength.

材質 陶瓷,銅
Material: Porcelain, Copper

電壓
Voltage: AC240V, AC690V

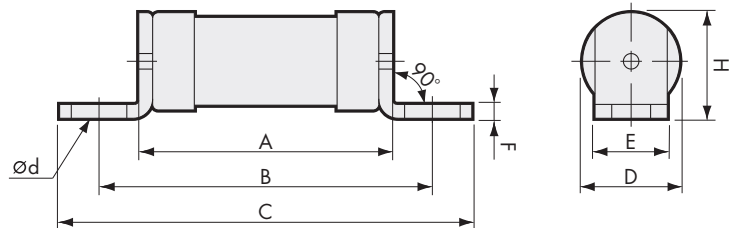
特性
Character: aR

短路容量
Breaking Capacity: 100kA



額定電流 Amp.	型號 Part No.	電壓 Voltage	尺寸 Size	重量 Weight (g)			
25	CT-Q2GS25	240	1	25			
32	CT-Q2GS32						
35	CT-Q2GS35						
50	CT-Q2GS50						
63	CT-Q2GS63						
80	CT-Q2GS80						
100	CT-Q2GS100						
125	CT-Q2GS125						
160	CT-Q2GS160						
35	CT-Q6GS35				690	2	33.5
40	CT-Q6GS40						
45	CT-Q6GS45						
50	CT-Q6GS50						
63	CT-Q6GS63						
71	CT-Q6GS71						
80	CT-Q6GS80						
90	CT-Q6GS90						
100	CT-Q6GS100						
125	CT-Q6GS125						
160	CT-Q2GM160	240	3	24			
200	CT-Q2GM200						
250	CT-Q2GM250						
315	CT-Q2GM315						
355	CT-Q2GM355						
400	CT-Q2GM400						
450	CT-Q2GM450						
180	CT-Q6GM180				690	4	24
200	CT-Q6GM200						
225	CT-Q6GM225						
250	CT-Q6GM250						
280	CT-Q6GM280						
315	CT-Q6GM315						
350	CT-Q6GM350						

Size	A	B	C	D	E	F	H	∅d
1	27.5	42	53	16.5	12.5	2	17.5	6.5x9
2	48	62	77	16.5	12.5	2	18	6.5x9
3	31	59	84	38	25.5	2.8	41	13.5
4	46	79	108	38	25.5	2.8	41	13.5



Unit: mm

方型保險絲

SQUARE BODY FUSE LINK

本系列保險絲主要配為半導體設備的短路保護(aR)。

由銅製成的多截面熔體封裝於由高強度陶瓷製成的熔管內，熔管中充滿經化學處理過的高純度石英砂作為消弧介質。保險絲兩端採用點焊與連接板牢固電連接。

BS88 Series is designed to protect semiconductors (aR).

Copper-made multi-section element is encapsulated in a high-intensity ceramic body which filled with pure quartz sand as an arc extinguisher. The ends are point welded to the contact blades, the two ends of the enclosure are terminated by metal plates having high mechanical strength.

材質 陶瓷,銅

Material: Porcelain, Copper

電壓 Voltage: AC250~1000V

特性 Character: aR

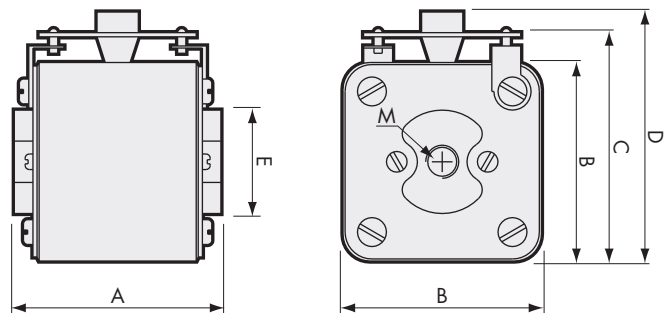


額定電流 Amp.	電壓 Voltage	型號 Part No.	尺寸 Size
63-200	500	CT-PF1A	1
	690	CT-PF2A	2
	1000	CT-PF3A	3
160-400	500	CT-PF1B	4
	690	CT-PF2B	5
	1000	CT-PF3B	6
350-630	500	CT-PF1C	7
	690	CT-PF2C	8
	1000	CT-PF3C	9
500-1000	500	CT-PF1D	10
	690	CT-PF2D	11
	1000	CT-PF3D	12
630-1250	500	CT-PF1E	13
	690	CT-PF2E	14
	1000	CT-PF3E	15
750-1600	500	CT-PF1F	16
	690	CT-PF2F	17
	1000	CT-PF3F	18
1000-2000	690	CT-PF2G	19
	1000	CT-PF3G	20
	1000	CT-PF4G	21
1000-2500	690	CT-PF2H	22
	1000	CT-PF3H	23
	1000	CT-PF4H	24

Size	A	B	C	D	E	M×H
1	51	41	52	55	24	8×12
2	55	41	52	55	24	8×12
3	75	41	52	55	24	8×12
4	51	52	63	68	24	8×12
5	55	52	63	68	24	8×12
6	75	52	63	68	24	8×12
7	53	60	72	75	29	10×10
8	57	60	72	75	29	10×10
9	77	60	72	75	29	10×10
10	53	72	84	87	44	10×12
11	57	72	84	87	44	10×12
12	77	72	84	87	44	10×12
13	53	75	87	90	44	10×12
14	57	75	87	90	44	10×12
15	77	75	87	90	44	10×12
16	58	85	97	100	52.5	10×12

Size	A	B	C	D	E	M×H
17	78	85	97	100	52.5	10×12
18	88	85	97	100	52.5	10×12
19	60	105	117	120	69.5	16×14
20	80	105	117	120	69.5	16×14

Size	A	B	C	D	E	M×H
21	90	105	117	120	69.5	16×14
22	60	120	132	135	85	
23	80	120	132	135	85	
24	90	120	132	135	85	



Unit: mm

汽車用保險絲

AUTOMOTIVE FUSE

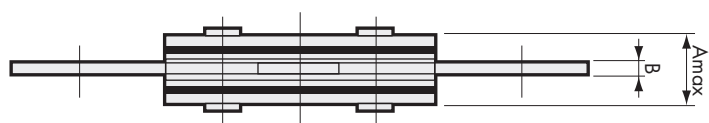
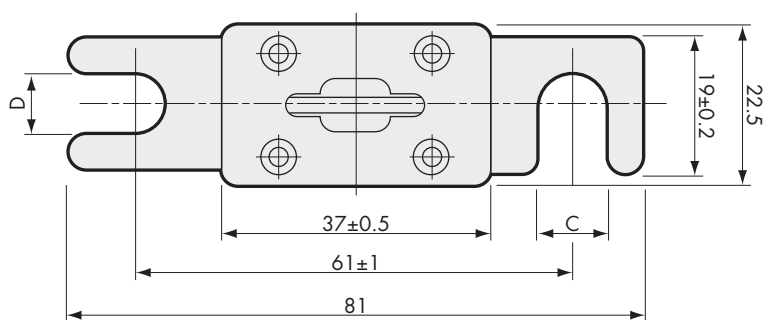
本系列汽車用保險絲適用於額定電壓直流至48V或交流至125V，額定電流至800A，主要作為電器線路的過載和短路保護。此系列保險絲為螺栓連接式。

Rated voltage of CT-CNL automotive fuse is up to 48V DC or 125 AC, rated current capable to 800A. Primarily to protect switchgear cables and against short circuit occurred. Screw-type is adopted for security purpose.



額定電流 Amp.	型號 Part No.	尺寸 Size	重量 Weight (g)	電壓 Voltage
35	CT-CNL-35	1	32	AC125/DC48
40	CT-CNL-40			
50	CT-CNL-50			
60	CT-CNL-60			
80	CT-CNL-80			
100	CT-CNL-100			
125	CT-CNL-125			
130	CT-CNL-130			
150	CT-CNL-150			
175	CT-CNL-175			
200	CT-CNL-200			
225	CT-CNL-225			
250	CT-CNL-250			
275	CT-CNL-275	2	68	
300	CT-CNL-300			
325	CT-CNL-325			
350	CT-CNL-350			
400	CT-CNL-400			
500	CT-CNL-500			
600	CT-CNL-600	3	258	
675	CT-CNL-675			
750	CT-CNL-750			
800	CT-CNL-800			

Size	A	B	C	D
1	10.2	0.3~1.1	8.7	8.7
2	10.2	0.5~1.0	8.7	8.7
3	12	0.65~0.9	8.7	8.7



Unit: mm

保險絲配件

FUSE ACCESSORY

本系列為熔斷警報器適用於交流50/60Hz，額定電壓至1000V的電器線路中作為保險絲的熔斷信號/警報之用。

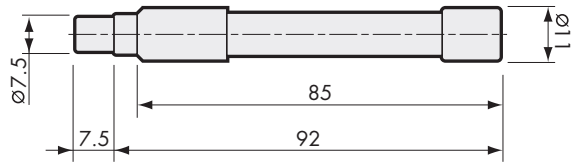
此系列由三部分組成一熔斷撞擊體、微動開關(觸點一長開一長閉)、底座。熔斷警報器一般開聯在保險絲兩端蓋板固定螺絲下，當保險絲熔斷時，彈出撞針，推動微動開關，發出信號或自動切換電路。底座上下兩固定(接觸)端之間距離可在一定範圍內調節，以適應不同高度的保險絲開聯(固定)之用。

RX1000 is recommended to apply in a installation which offers 50/60HZ AC, rated voltage up to 1000V as signal/alarm purpose.

The structure is combined with three parts, fuse striker body, micro switches (contact 1 NO and 1 NC) and the base. Fuse striker should be linked at both ends of the plated covers. Once meeting mismatched loads, striker pops, activate micro switches, release signal or automatic circuit switching. The length is adjustable between both ends/contacts of the base in order to accommodate different type of fuses.

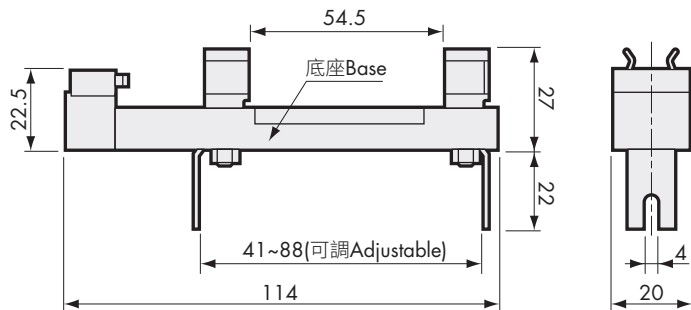
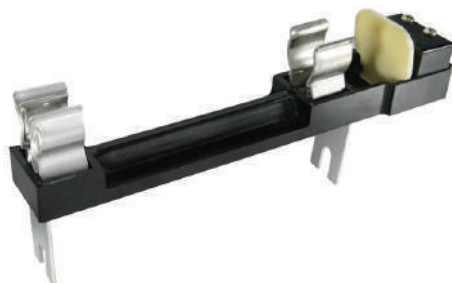
型號 Part No.	產品名稱 Product Name	電壓 Voltage	重量 Weight (g)
CT-RX1000	熔斷撞擊體 Fuse Striker	1000	18
CT-RX1000-B	熔斷撞擊體底座 Fuse-Striker Holder	1000	34

CT-RX1000



Unit: mm

CT-RX1000-B



Unit: mm



CHIAO TEIN ENTERPRISES CO. LTD

圓柱型保險絲底座

本系列保險絲座具有耐受約定發熱電流及預期短路沖擊電流至100kA電能穩定的能力，多相組合後具有隔離電源的功能。還可帶熔斷指示燈，燈亮表示保險絲已熔斷。

由塑料壓制的外殼裝上觸頭和截熔件後經焊接而成，FB101、FB145、FB258系列可組成多相結構。

FUSE HOLDER FOR CYLINDRICAL FUSE LINK

FB Series fuse holder can tolerant thermal current and prospective short circuit current up to 100kA impact, provides the dynamic thermal stability, multiple poles assembly additionally equips power isolation function. Indicator lights offer visual effect about the fuse has open.

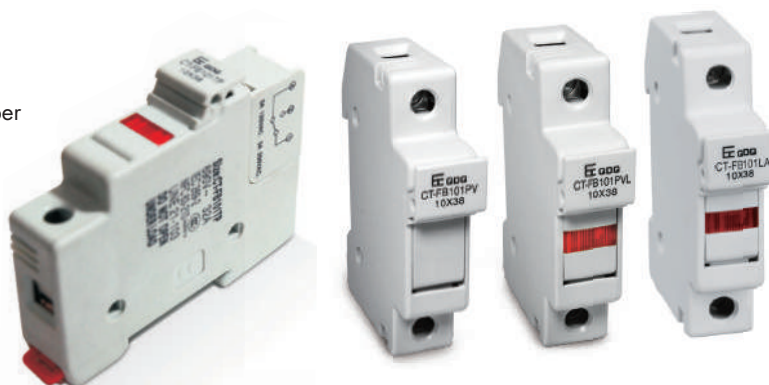
Made of high performance industrial plastic, by welding and riveting with contacts into a complete high-endurance fuse holder. FB101, FB145, FB258 Series can come with pin and handle ties for multipole assembly usages.

FB101

材質 工業塑膠,銅 Material: Industrial Plastic, Copper

電壓 Voltage: AC690V, DC60V, DC1000V

配裝保險絲尺寸 Fuse Type: 10 x 38



型號 Part No.	電壓 Voltage	額定電流 Amp.	尺寸 Size	特性 Feature	重量 Weight (g)
CT-FB101	690	32	1	不帶燈, Without Indicator	59
CT-FB101LA	690	32		Neon燈, 常亮 With neon indicator, eternal lighting	62
CT-FB101DC	DC60V	32		Neon燈, 常亮 With neon indicator, eternal lighting	66
CT-FB101LN	690	32		Led燈, 閃爍 With led indicator, twinkling light	66
CT-FB101PV	DC1000V	32		太陽能保險絲座, 不帶燈 For Solar fuse, without indicator	59
CT-FB101PVL	DC1000V	32		太陽能保險絲座, Neon燈, 常亮 For Solar fuse, With neon indicator, eternal lighting	63
CT-FB101TP	690	32	2	Neon燈, 常亮, 可加裝微動開關 With neon indicator, able to install micro switch	70
CT-FB101TP-DC	DC60V	32		Neon燈, 常亮, 可加裝微動開關 With neon indicator, able to install micro switch	70

FB145 & FB258

材質 工業塑膠,銅

Material: Industrial Plastic, Copper

電壓 Voltage: AC690V

配裝保險絲尺寸

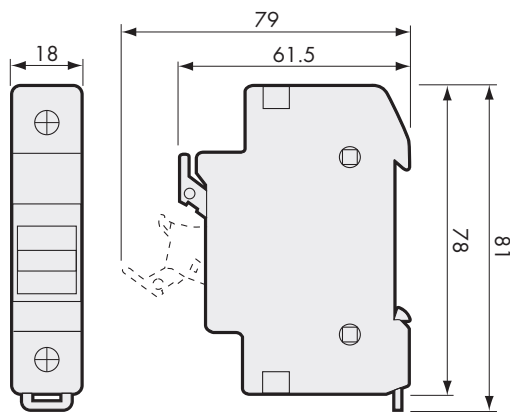
Fuse Type: 14 x 51, 22 x 58



型號 Part No.	電壓 Voltage	額定電流 Amp.	尺寸 Size	配裝保險絲尺寸 Fuse Type	特性 Feature	重量 Weight (g)
CT-FB145	690	63	3	14 x 51	不帶燈 Without Indicator	114
CT-FB145L	690	63		14 x 51	Neon燈, 常亮 With Neon Indicator	118
CT-FB258	690	125	4	22 x 58	不帶燈 Without Indicator	182
CT-FB258L	690	125		22 x 58	Neon燈, 常亮 With Neon Indicator	186

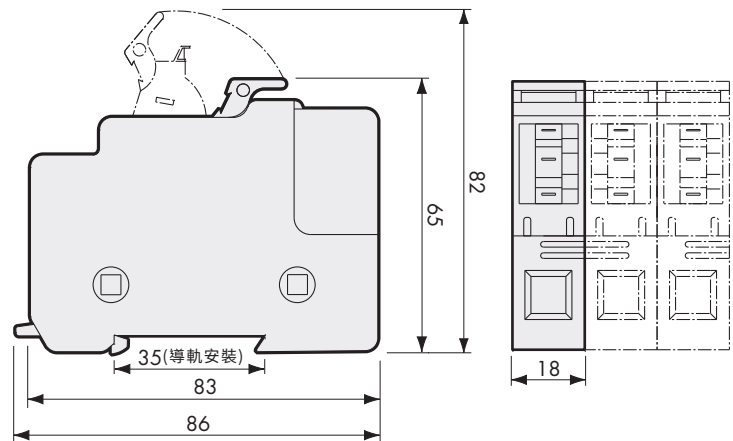
Type FB101, LA, DC, LN, PV, PVL

Size 1



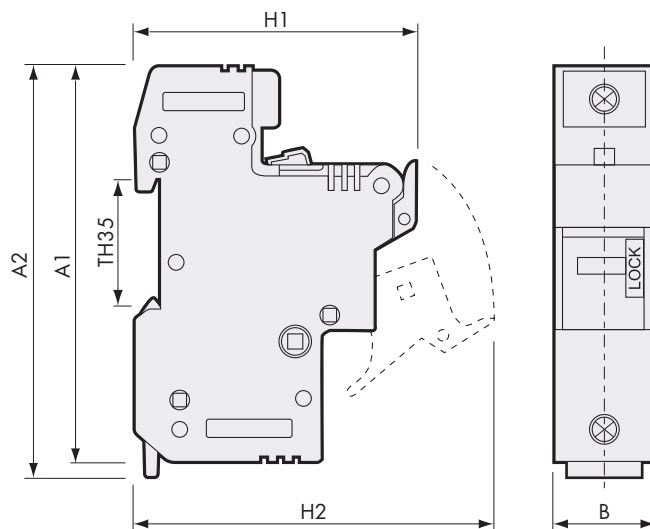
Type FB101TP, TP-DC

Size 2



Type FB145, FB258

Size	A1	A2	B	H1	H2
3	108	111	27	76	100
4	127	128	35	77	104



*關於微動開關配件請參照P.35

*About the microswitch, please find page 35

Unit: mm

FB131 & FB141

材質 工業塑膠, 銅 Material: Industrial Plastic, Copper

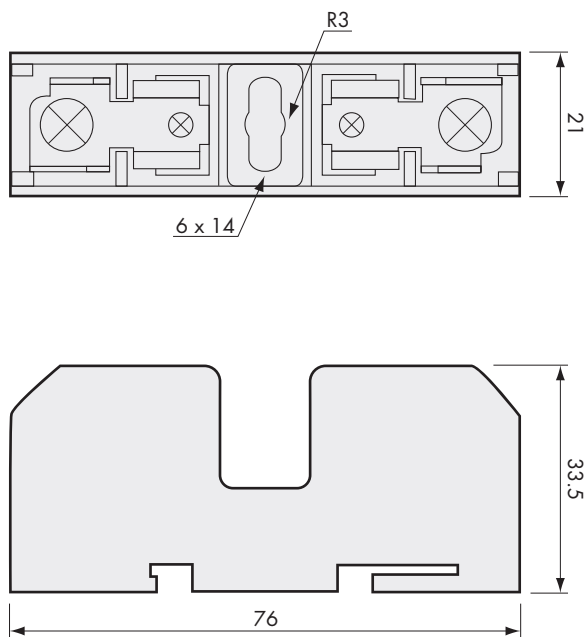
電壓 Voltage: AC600V

配裝保險絲尺寸 Fuse Type: 10 x 38, 14 x 51

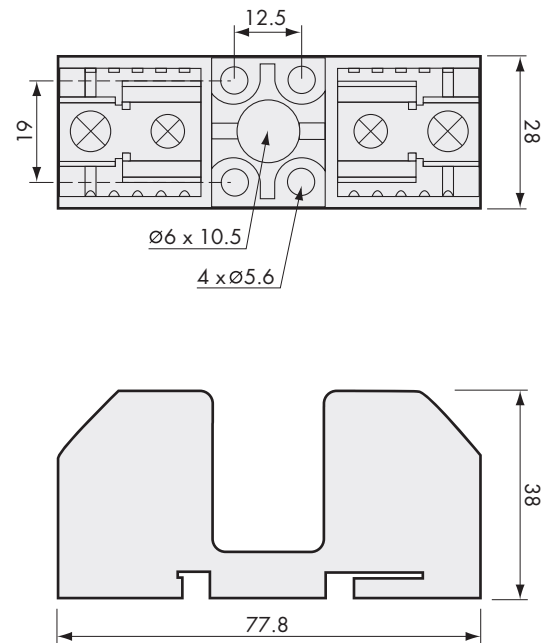


型號 Part No.	電壓 Voltage	額定電流 Amp.	配裝保險絲尺寸 Fuse Type	重量 Weight (g)
CT-FB131	600	32	10 x 38	42.7
CT-FB141	600	63	14 x 51	62.3

Type FB131



Type FB141



Unit: mm

FB221 & FB632

材質 聚碳,銅 Material: Polycarbonate , Copper

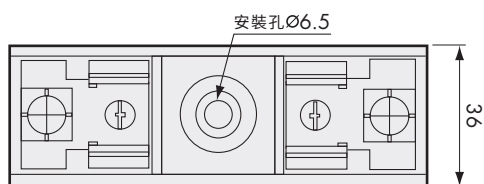
電壓 Voltage: AC600V, 250V

配裝保險絲尺寸 Fuse Type: 22 x 58, 6 x 32

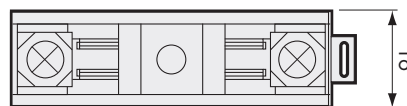


型號 Part No.	電壓 Voltage	額定電流 Amp.	配裝保險絲尺寸 Fuse Type	重量 Weight (g)
CT-FB221	600	125	22 x 58	157
CT-FB632	250	10	6 x 32	14.5
CT-FB632C2-AC	250	-	-	4.5
CT-FB632C2-DC	DC24	-	-	4.5

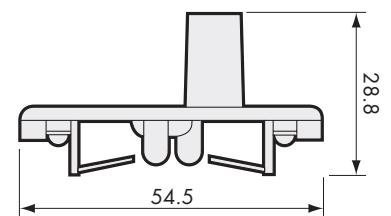
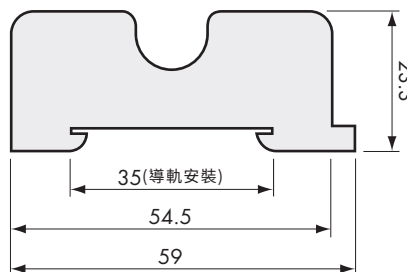
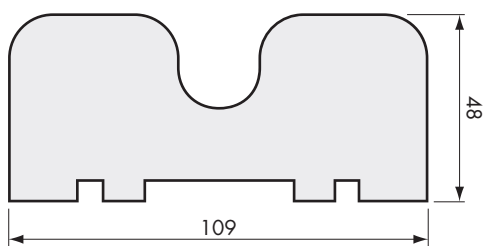
Type FB221



Type FB632



Type FB632-AC, FB632-DC



Unit: mm



CHIAO TEIN ENTERPRISES CO. LTD

D型保險絲底座

本系列保險絲座主要在電氣裝置中作為尺碼DI~DIII的保險絲底座。具有耐受約定發熱電流及預期短路衝擊電流至50kA電能穩定的能力。

由底座及上蓋兩部份組成。相應尺碼的保險絲插入上蓋後，再擰進底座，組合而成完整的螺旋式保險絲底座。上蓋頂部有塊透明玻璃觀察窗，從觀察窗可輕易辨別保險絲狀態(指示器是否彈出)。共有兩種安裝方式：螺絲固定或是導軌安裝。

D TYPE FUSE HOLDER

D Type Fuse Base is designed for DI to DIII Fuse links purpose. High thermal current tolerance and the ability of stabilized prospective short-circuit impact up to 50kA.

User may easily identify the position of indicatory by observing the status of fuse link through a clear observation windows on the top of the cover head.

D type fuse holder offers not only screw fixing mount but also DIN rail mounting possibility.

DIFB, DIFFB

材質 陶瓷,工業塑膠,銅

Material: Porcelain, Industrial Plastic, Copper

電壓 Voltage: AC500V

電流 Current: 25A

尺寸 Dimension: E16

配裝保險絲尺寸 Fuse Type: DI



CT-DIFB



CT-DIFFB

型號 Part No.	固定方式 Fixed way	電壓 Voltage	額定電流 Amp.	配裝保險絲尺寸 Fuse Type	尺寸 Size	重量 Weight (g)
CT-DIFB	螺絲固定 fixed by screw	500	25	DI	DIFB	118
CT-DIFB-D	鋁軌固定 fixed by rails				DIFFB	
CT-DIFFB	螺絲及鋁軌固定 fixed by screw & rails					53.8

DIIFB, DIIIFB

材質 陶瓷,銅 Material: Porcelain, Copper

電壓 Voltage: AC500V

電流 Current: 25A, 63A

尺寸 Dimension: E27, E33

配裝保險絲尺寸 Fuse Type: DII, DIII



CT-DIIFB



CT-DIIIFB

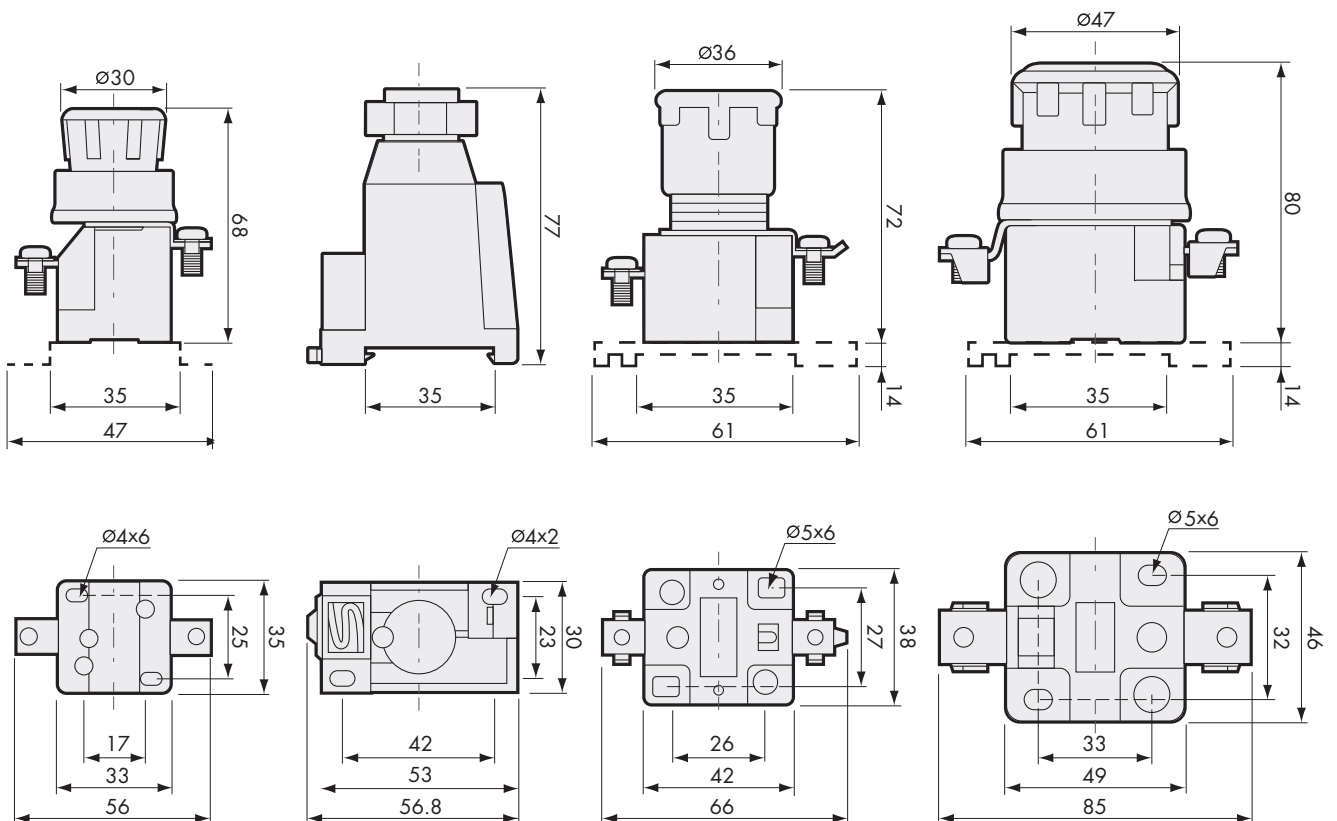
型號 Part No.	固定方式 Fixed way	電壓 Voltage	額定電流 Amp.	尺寸 Size	配裝保險絲尺寸 Fuse Type	重量 Weight (g)
CT-DIIFB	螺絲固定 fixed by screw	500	25	DIIFB	DII	175
CT-DIIFB-D	鋁軌固定 fixed by rails					
CT-DIIIFB	螺絲固定 fixed by screw	500	63	DIIIFB	DIII	285
CT-DIIIFB-D	鋁軌固定 fixed by rails					

Type DIFB

Type DIFFB

Type DIIIFB

Type DIIIFB



Unit: mm



刀型保險絲底座

本系列保險絲座主要在電氣線路中作為尺寸000~4的保險絲底座，具有耐受約定發熱電流及預期短路沖擊電流至120kA電能穩定的能力。

由高強度瓷底板/耐高溫樹脂底板、楔型靜觸頭組合而成，呈敞開式結構。產品具有良好的散熱條件、機械强度高、接觸可靠、操作方便等特點。

NH FUSE HOLDER

Knife type (NH) fuse holders and bases for NH fuse links from 000 to 4. High thermal current tolerance and the ability of stabilized prospective short-circuit impact up to 120kA.

Wide range of accessories (contact covers, fuse link covers and partition walls) allow user to compose from single-phase to multi-pole type. NH Fuse holders are made of high-intensity and heat-resistant industrial plastic, links with silver plated cooper contacts. It offers good heat dissipation, optimum operation and convenient usage.

NH FUSE DISCONNECTOR

材質 工業塑膠,銅

Material: Industrial Plastic, Copper

電壓 Voltage: AC690V

尺寸 Dimension: 00, 01, 02

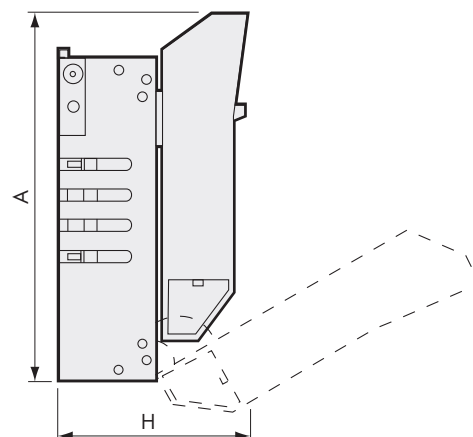
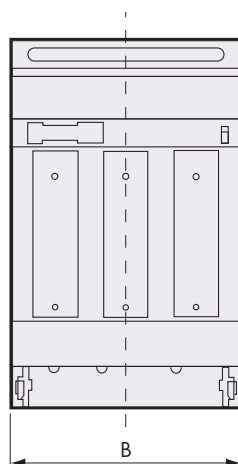
配裝保險絲尺寸

Fuse Type: NH00C, NH00, NH1, NH2



型號 Part No.	電壓 Voltage	額定電流 Amp.	配裝保險絲尺寸 Fuse Type	尺寸 Size	重量 Weight (g)
CT-00FBKS	690	160	NH00C, NH00	1	628
CT-01FBKS	690	250	NH1	2	2555
CT-02FBKS	690	400	NH2	3	3090

Size	A	B	H
1	171	106	90
2	247	184	120
3	272	208	133



Unit: mm

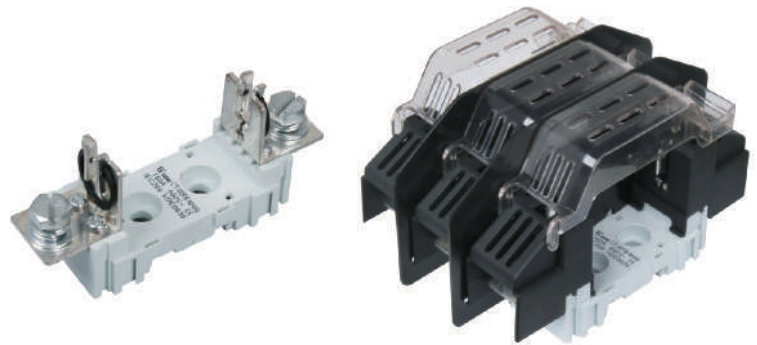
NH00 FUSE HOLDER

材質 工業塑膠,銅 Material: Industrial Plastic, Copper

電壓 Voltage: AC690V

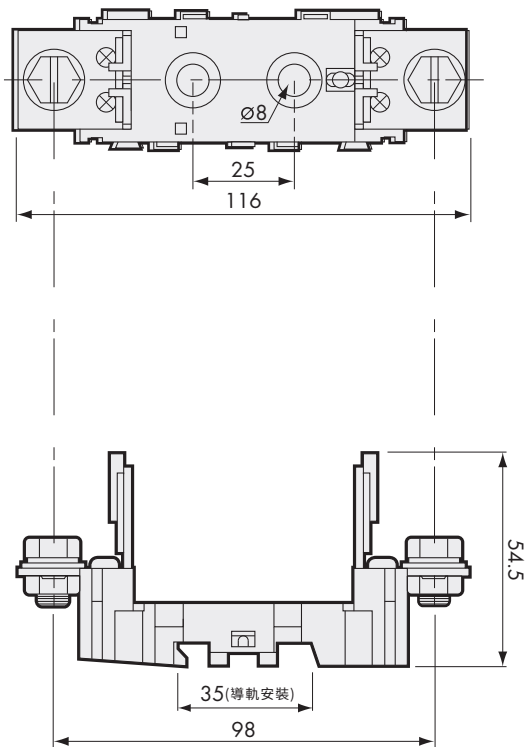
尺寸 Dimension: 00

配裝保險絲尺寸 Fuse Type: NH00C, NH00

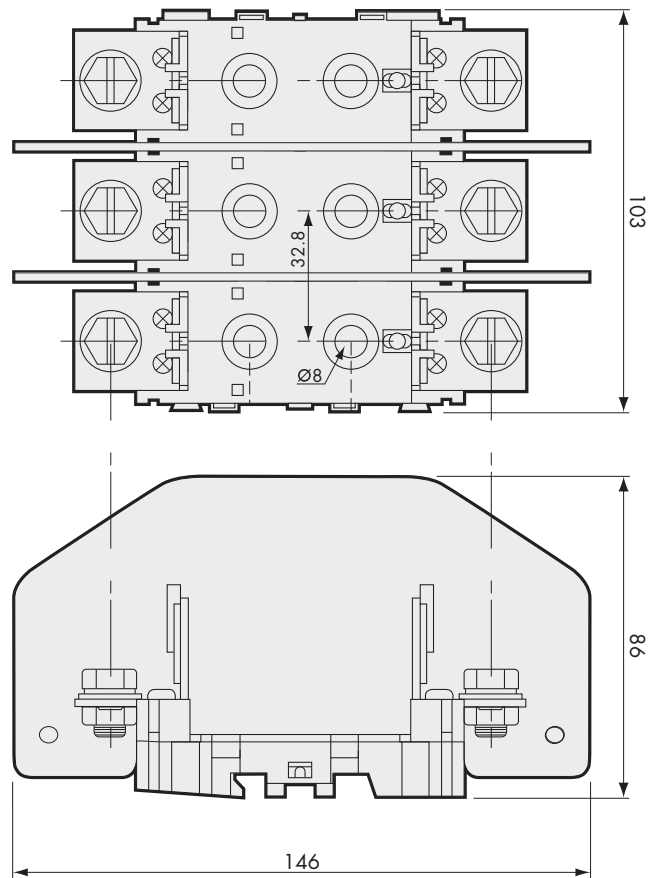


型號 Part No.	電壓 Voltage	額定電流 Amp.	配裝保險絲尺寸 Fuse Type	重量 Weight (g)
CT-00FB	690	160	NH00C, NH00	121
CT-00FB-3P	690	160	NH00C, NH00	446

Type 00FB



Type 00FB-3P



Unit: mm

01~03FB

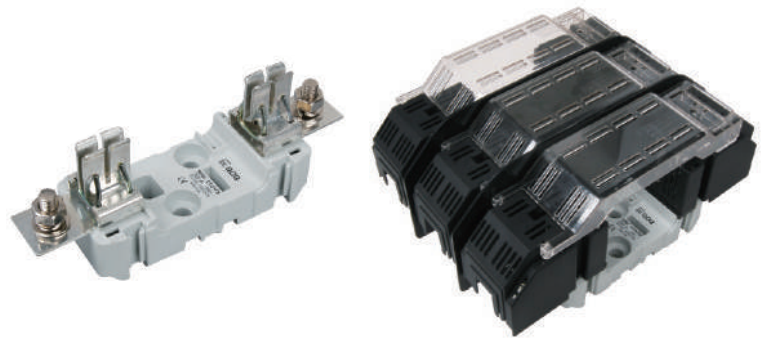
材質 工業塑膠,銅 Material: Industrial Plastic, Copper

電壓 Voltage: AC690V

電流 Current: 250A, 400A, 630A

尺寸 Dimension: 01, 02, 03

配裝保險絲尺寸 Fuse Type: NH1, NH2, NH3



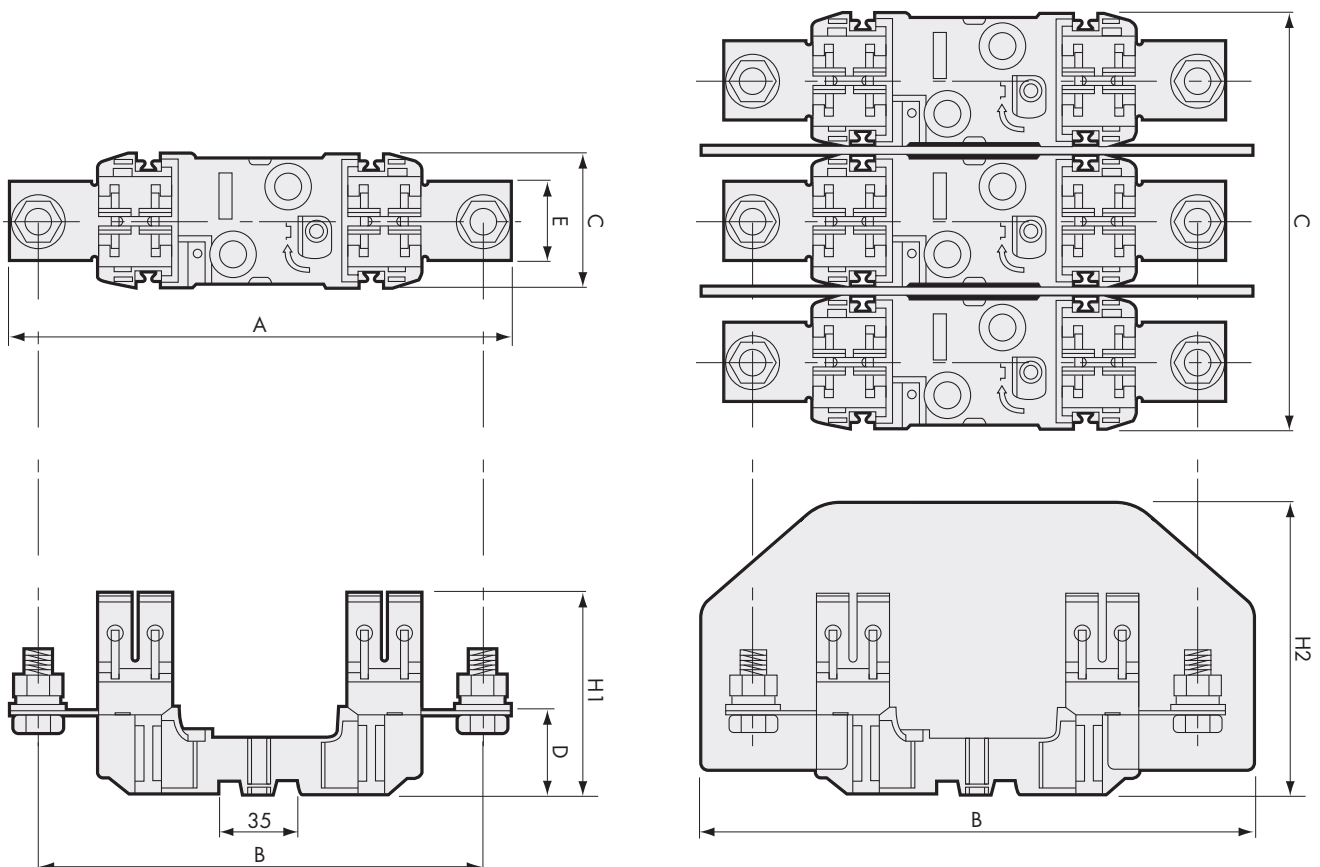
型號 Part No.	電壓 Voltage	額定電流 Amp.	配裝保險絲尺寸 Fuse Type	尺寸 Size	重量 Weight (g)
CT-01FB	690	250	NH1	1	395
CT-02FB	690	400	NH2	2	540
CT-03FB	690	630	NH3	3	681
CT-01FB-3P	690	250	NH1	4	1434
CT-02FB-3P	690	400	NH2	5	1950
CT-03FB-3P	690	630	NH3	6	2505

Type 01FB, 02FB, 03FB

Size	A	B	C	D	E	H1
1	208	176	60	37.5	32	82
2	224	192	60	38	35	90
3	239	207	60	38.5	40	106

Type 01FB-3P, 02FB-3P, 03FB-3P

Size	B	C	H2
4	250	189	123
5	250	189	123
6	250	225	123



Unit: mm

04FB

材質 陶瓷,銅 Material: Porcelain, Copper

電壓 Voltage: AC690V

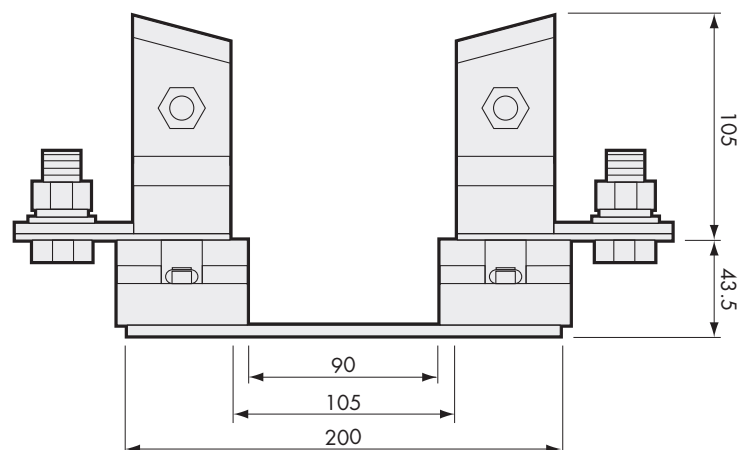
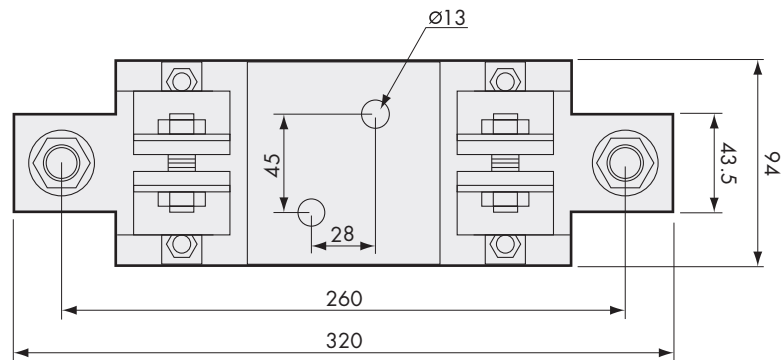
電流 Current: 1250A

尺寸 Dimension: 04

配裝保險絲尺寸 Fuse Type: NH04



型號 Part No.	電壓 Voltage	額定電流 Amp.	配裝保險絲尺寸 Fuse Type	重量 Weight (g)
CT-04FB	690	1250	NH4	3210



Unit: mm



螺絲固定型底座

本系列保險絲座主要在電氣線路中作為螺栓連接式保險絲底座，具有耐受約定發熱電流及預期短路沖擊電流至100kA動熱穩定的能力。

此類保險絲底座只需將配裝的螺栓連接式保險絲直接用螺絲緊固在底座的靜觸頭上即可。

SCREW FIXING FUSE HOLDER

Screw fixing fuse holder is especially suggested to apply with general spiral type fuse links.

High thermal current tolerance and the ability of stabilized prospective short-circuit impact up to 100kA.

CT-01~07

材質 工業塑膠,銅 Material: Industrial Plastic, Copper

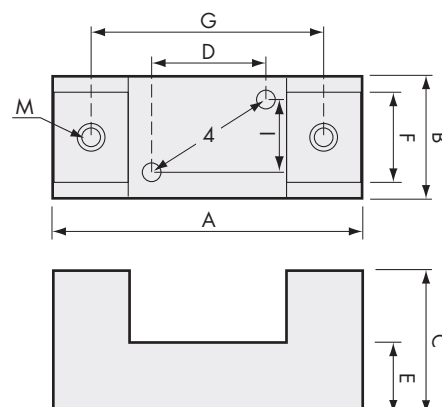
電壓 Voltage: AC1500V / 1min

電流 Current: 6~900A



型號 Part No.	尺寸 Size	重量/不含配件 Weight/Without accessories(g)
CT-01	1	25
CT-02	2	34
CT-03	3	64
CT-04	4	77
CT-05	5	210
CT-06	6	240
CT-07	7	308

Size	A	B	C	D	E	F	G	I	M
1	50	15	29	18	15	9	38	3	3.5
2	76	15	29	40	15	9	64	3	3.5
3	58	26	39	16	15	20	42	14	6
4	80	26	39	34	15	20	64	14	6
5	98	42	51	34	20	32	71	26	8
6	86	40	71	26	20	27	60	24	10
7	115	40	71	49	21	27	85	24	10



Unit: mm

CT-08~10

材質 玻璃纖維,銅 Material: Glass fiber, Copper

電壓 Voltage: AC1500V / 1min

電流 Current: 6~900A



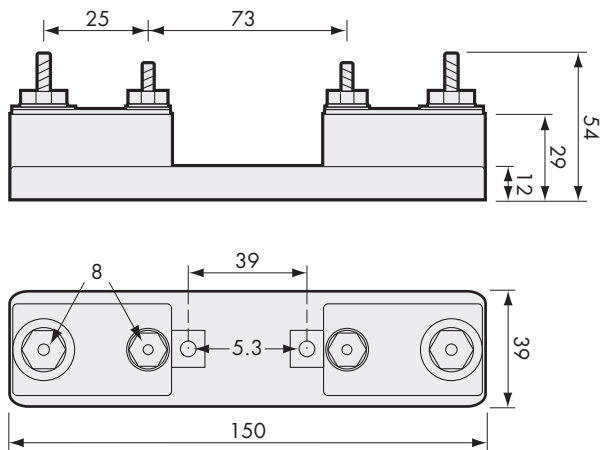
CT-08

CT-09

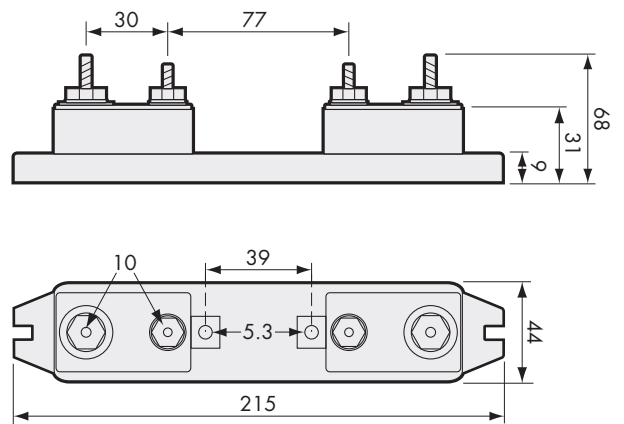
CT-10

型號 Part No.	重量/不含配件 Weight/Without accessories(g)
CT-08	199
CT-09	315
CT-10	155

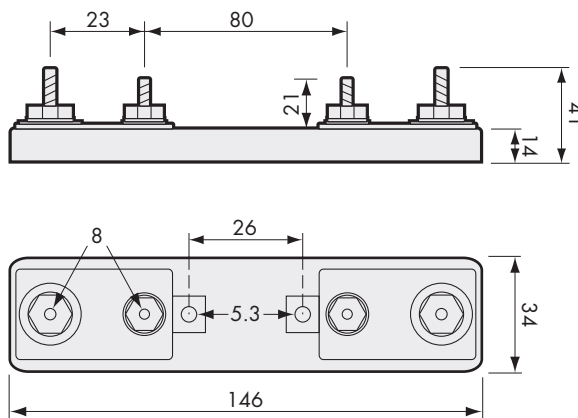
Type CT-08



Type CT-09



Type CT-10



Unit: mm



CHIAO TEIN ENTERPRISES CO. LTD

保險絲座配件

本系列產品主要作為保險絲座的附加配件，具有在操作執行期間加強安全性的功能，或是添加微動開關的作用。

FUSE HOLDER ACCESSORY

Extensive choices of accessories assure extra safety and certainty during operation. By selecting additional supplement also leverage the performance to next level.

FUSE CLIP

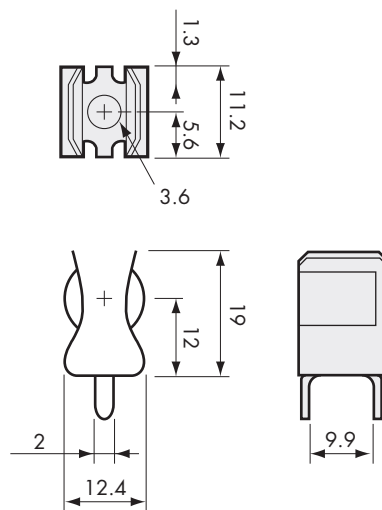
保險絲夾

材質 銅 Material: Copper

適用保險絲尺寸 Fuse Type: 10 x 38



型號 Part No.	電壓 Voltage	額定電流 Amp.	配裝保險絲尺寸 Fuse Type	材質 Material	表面鍍層 Surface Coating	重量 Weight (g)
CT-10PVH	600V	32A	10 x 38	黃銅 Bronze	亮錫 Bright tin	3
CT-10PVL	1000V	25A	10 x 38	磷銅 Bronze	銀 Silver	3



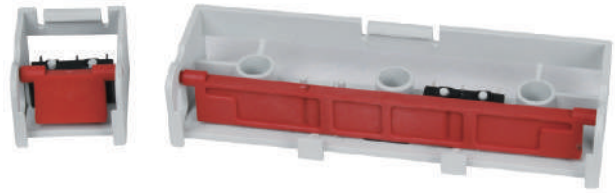
Unit: mm

MICROSWITCH FOR FUSE HOLDER

微動開關

材質 工業塑膠 Material: Industrial Plastic

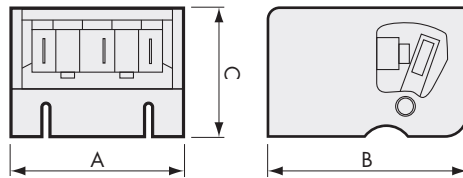
適用保險絲座尺寸 Fuse holder Type: 14 x 51, 22 x 58



型號 Part No.	配裝保險絲座型號 Fuse Holder Type	尺寸 Size	重量 Weight (g)
CT-FB101C1	CT-FB101TP(DC)	1	4.2
CT-FB145C1	CT-FB145	2	6.3
CT-FB258C1	CT-FB258	3	8.1
CT-FB145C3	CT-FB145-3P	4	12.8
CT-FB258C3	CT-FB258-3P	5	

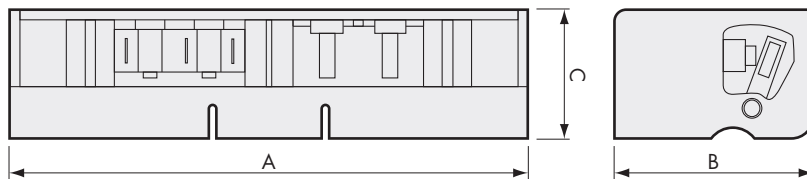
Type C1

Size	A	B	C
1	20	28	17
2	26	30	19.5
3	35	32	20



Type C3

Size	A	B	C
4	80	30	19.5
5	105	32	20



Unit: mm

HANDLE

拔取器

材質 工業塑膠,鐵 Material: Industrial Plastic, Iron

適用保險絲座尺寸 Fuse holder Type:

NH00C, NH00, NH1, NH2, NH3, NH4

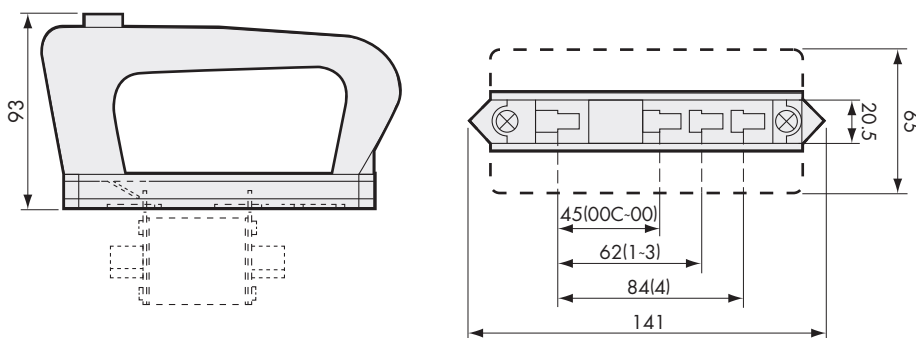


CT-PHPN00-3



CT-PHP00-3

型號 Part No.	配裝保險絲座型號 Fuse Holder Type	重量 Weight (g)
CT-PHPN00-3	NT00C~NT4, NH00C~NH4	250
CT-PHP00-3	NT00C~NT4, NH00C~NH4	255



Unit: mm

COVER

雙邊護蓋 & 透明蓋

材質 工業塑膠 Material: Industrial Plastic

適用保險絲座尺寸 Fuse holder Type:
NH00C, NH00, NH1, NH2, NH3



CT-01FBC1



CT-01FBC2

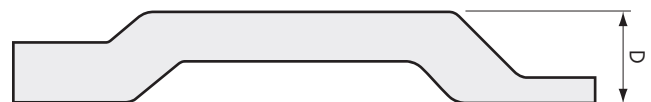
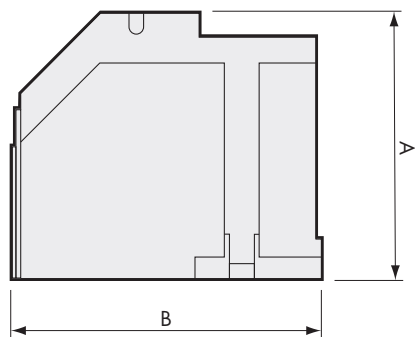
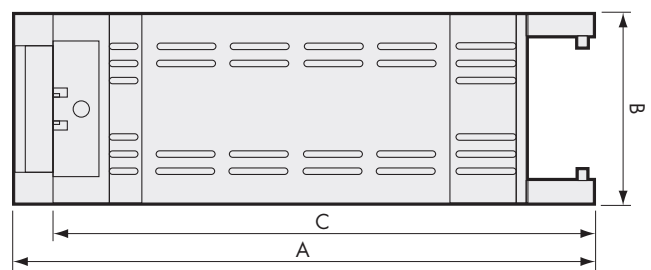
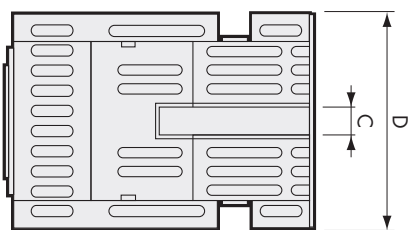
描述 Description	型號 Part No.	配裝保險絲座型號 Fuse Holder Type	尺寸 Size	重量 Weight (g)
雙邊護蓋 Terminal Cover	CT-00FBC1	CT-00FB	1	10.7
	CT-01FBC1	CT-01FB, CT-02FB	2	43.4
	CT-03FBC1	CT-03FB	3	67
透明蓋 Fuse Links Cover	CT-00FBC2	CT-00FB	4	10.4
	CT-01FBC2	CT-01FB, CT-02FB	5	31.5
	CT-03FBC2	CT-03FB	6	47.3

Type 00~03FBC1

Size	A	B	C	D
1	43	41	8	31
2	75	87.5	8	60
3	98	95	8	76

Type 00~03FBC2

Size	A	B	C	D
4	107.5	32	102	35
5	184	60	171	28
6	200	75	188	26



Unit: mm

PARTITION WALLS & CONNECTOR

分隔片 & 連接桿

材質 工業塑膠 Material: Industrial Plastic

適用保險絲座尺寸 Fuse holder Type:
NH00C, NH00, NH1, NH2, NH3



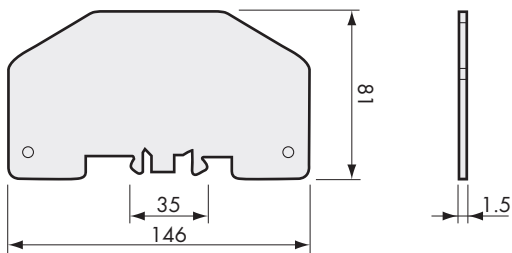
CT-00FBC3



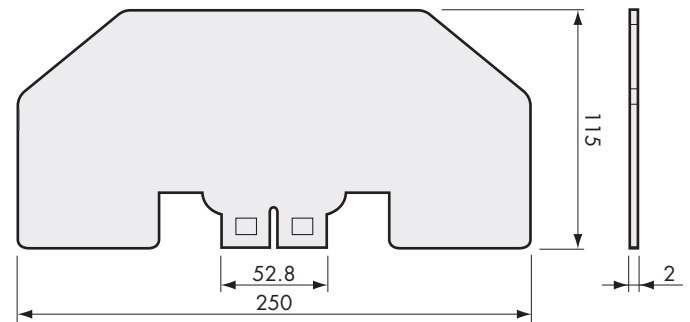
CT-01FBC4

描述 Description	型號 Part No.	配裝保險絲座型號 Fuse Holder Type	尺寸 Size	重量 Weight (g)
分隔片 Partition Wall	CT-00FBC3	CT-00FB	-	16.6
	CT-01FBC3	CT-01FB, CT-02FB, CT-03FB	-	57.6
連接桿 Connector	CT-01FBC4	CT-01FB, CT-02FB	1	18.7
	CT-03FBC4	CT-03FB	2	31.4

Type CT-00FBC3

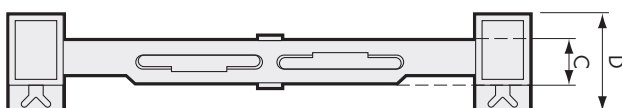
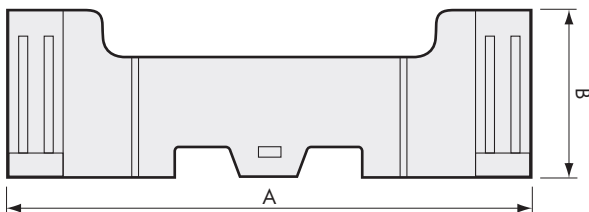


Type CT-01FBC3



Type CT-01FBC4, CT-03FBC4

Size	A	B	C	D
1	112	35	9	19
2	112	35	21	36



Unit: mm

信號指示燈及燈泡

本系列指示燈採用高亮度純色LED發光芯片為光源，具備壽命長、耗能低、體積小、重量輕、亮度高、可靠性強、外型美觀、安裝方便等優勢。其設計巧妙的能使按鈕安裝定位準確，防止鬆動，是用戶對面板小型化、集成化控制要求的最佳選擇。

適用於電力、電訊、機床、船舶、紡織、印刷、礦山機械等設備線路中作指示信號、預告信號、事故信號及其他指示用信號。

基本特性

- 開孔尺寸: 22mm的可選用變徑圈來實現25mm、30mm的孔徑
- 多種頭部樣式，五種顏色，明確指示不同工作狀態
- 發光體採用純色超高亮LED芯片，色彩純正，壽命可達5萬小時
- 可根據客戶需要配置指示燈的字符內容
- 零配件採用進口材料，堅固耐用，耐磨損
- 內置螺絲釘式接線，更安全且方便

適用範圍

- 環境溫度: -25°C~+55°C
- 空氣相對溫度: ≤98%
- 震動頻率: 2-80Hz, 加速度: 0.7g下
- 工頻耐壓: 2.5kV(交流有效值), 1min
- 絕緣電阻: ≥2MΩ
- 交流指示燈允許電壓波動±20%
- 光亮度: ≥100cd/m²
- 相比漏電起痕指數: CTI≥100
- 使用頻率: AC50~60Hz

SCOPE

- Environment Temperature: -25°C~+55°C
- Air Opposite Temperature: ≤98%
- Vibration frequency: 2-80Hz, Acceleration: 0.7g
- Power frequency withstand voltage: 2.5kV(AC RMS), 1min
- Insulation resistance: ≥2MΩ
- AC indicator allows voltage fluctuations±20%
- Brightness: ≥100cd/m²
- Comparative Tracking Index: CTI≥100
- Frequency of use: AC50~60Hz

參數 PARAMETER

	單位 Unit	白 White	藍 Blue	綠 Green	黃 Yellow	紅 Red
額定功耗 Pd	MW		120			150
平均正向電流 If	MA		30			50
峰值正向電流 Ipf	MA		100			160
反向電壓 Vr	V		5			10
工作溫度 Topr	°C		-30~+80			-40~+100
存儲溫度 Tstg	°C		-40~+100			-55~+100
焊接溫度 Soldering Temp	距根部2mm, 焊接溫度260°C時不大於5s					

顏色 Color	材料 Material	峰值波長 λp(nm)	半峰寬 Δλ(nm)	發光強度 Iv(mcd)	正向壓降 Vf(V)	反向電流 Ir(μA)	半光強角 2θ1/2(°)
白 White	InGaN			1100 ± 12000	2.8~4.2 (典型值3.6)	100	15~30
藍 Blue		470	35				
綠 Green		525	35				
黃 Yellow	AlGaInP	590	20		1.8~2.5 (典型值2.0)		
紅 Red		625	25				

SIGNAL BUTTONS & LED

By using high-brightness LED light chip in indicator buttons, offers long electric life, low power consumption, compact size, light-weighted, clear brightness, stable performance and easy installation. The ingenious design allows button positioning more accurate and anti-loosening, it's the best choice to apply on limited space panels, integrated control environments.

Highly recommended to field of electric power plant, telecommunications, heavy machineries, shipbuilding, textile, printing, mining machineries and other lines which need further signal notification.

FEATURE

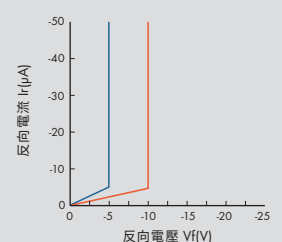
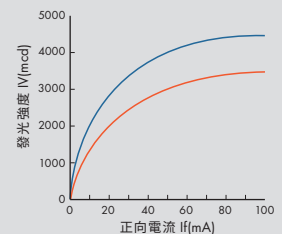
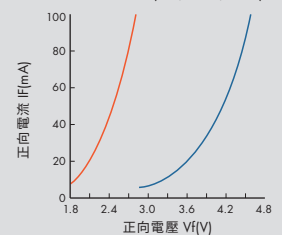
- Hole Size: 22mm. 25mm and 30mm can be achieved by adjustable ring
- A variety of head styles, five colors, clear instructions to different working conditions
- Luminous source by bright LED chips, pure color, up to 500,000 hours of life
- Pilot lights can be configured according to customers needs.
- Imported components which offer durable and wear-resistant characters.
- Built-in screw-type terminal, provides extra safety and easy installation.

電壓電流對照表

VOLTAGE & CURRENT COMPARISON CHART

電壓 V	電流 mA
6V	11
24V	11
110V	5.1
220V	3.1

紅、黃、橙色 LED (Red, Yellow, Orange)
藍、綠、白色 LED (Blue, Green, White)



LED

電壓 Voltage: AC/DC 6.3~220V

環境溫度 Ambient Temperature: -25°C~+55°C

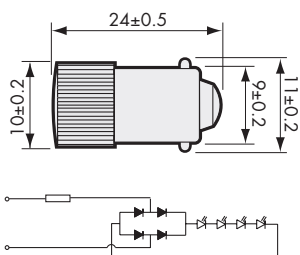
安裝方式 卡式&螺旋 Installation : Plug-In Type & Spiral Type

重量 Weight: 1.8g

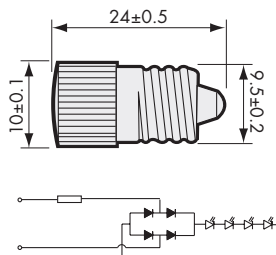


電壓 Voltage	型號 Part No.				顏色 Color	尺寸 Size
	兩點 2 Chips 卡式 Plug-In Type	四點 4 Chips 卡式 Plug-In Type	兩點 2 Chips 螺旋式 Spiral Type	四點 4 Chips 螺旋式 Spiral Type		
AC/DC 6.3V	CT-LEDT9-6.3-R-2	CT-LEDT9-6.3-R-4	CT-LEDE9-6.3-R-2	CT-LEDE9-6.3-R-4	紅 Red	1
	CT-LEDT9-6.3-Y-2	CT-LEDT9-6.3-Y-4	CT-LEDE9-6.3-Y-2	CT-LEDE9-6.3-Y-4	黃 Yellow	
	CT-LEDT9-6.3-G-2	CT-LEDT9-6.3-G-4	CT-LEDE9-6.3-G-2	CT-LEDE9-6.3-G-4	綠 Green	
	CT-LEDT9-6.3-L-2	CT-LEDT9-6.3-L-4	CT-LEDE9-6.3-L-2	CT-LEDE9-6.3-L-4	藍 Blue	
	CT-LEDT9-6.3-W-2	CT-LEDT9-6.3-W-4	CT-LEDE9-6.3-W-2	CT-LEDE9-6.3-W-4	白 White	
AC/DC 12V	CT-LEDT9-12-R-2	CT-LEDT9-12-R-4	CT-LEDE9-12-R-2	CT-LEDE9-12-R-4	紅 Red	
	CT-LEDT9-12-Y-2	CT-LEDT9-12-Y-4	CT-LEDE9-12-Y-2	CT-LEDE9-12-Y-4	黃 Yellow	
	CT-LEDT9-12-G-2	CT-LEDT9-12-G-4	CT-LEDE9-12-G-2	CT-LEDE9-12-G-4	綠 Green	
	CT-LEDT9-12-L-2	CT-LEDT9-12-L-4	CT-LEDE9-12-L-2	CT-LEDE9-12-L-4	藍 Blue	
	CT-LEDT9-12-W-2	CT-LEDT9-12-W-4	CT-LEDE9-12-W-2	CT-LEDE9-12-W-4	白 White	
AC/DC 24V	CT-LEDT9-24-R-2	CT-LEDT9-24-R-4	CT-LEDE9-24-R-2	CT-LEDE9-24-R-4	紅 Red	
	CT-LEDT9-24-Y-2	CT-LEDT9-24-Y-4	CT-LEDE9-24-Y-2	CT-LEDE9-24-Y-4	黃 Yellow	
	CT-LEDT9-24-G-2	CT-LEDT9-24-G-4	CT-LEDE9-24-G-2	CT-LEDE9-24-G-4	綠 Green	
	CT-LEDT9-24-L-2	CT-LEDT9-24-L-4	CT-LEDE9-24-L-2	CT-LEDE9-24-L-4	藍 Blue	
	CT-LEDT9-24-W-2	CT-LEDT9-24-W-4	CT-LEDE9-24-W-2	CT-LEDE9-24-W-4	白 White	
AC/DC 110V	CT-LEDT9-1-R-2	CT-LEDT9-1-R-4	CT-LEDE9-1-R-2	CT-LEDE9-1-R-4	紅 Red	
	CT-LEDT9-1-Y-2	CT-LEDT9-1-Y-4	CT-LEDE9-1-Y-2	CT-LEDE9-1-Y-4	黃 Yellow	
	CT-LEDT9-1-G-2	CT-LEDT9-1-G-4	CT-LEDE9-1-G-2	CT-LEDE9-1-G-4	綠 Green	
	CT-LEDT9-1-L-2	CT-LEDT9-1-L-4	CT-LEDE9-1-L-2	CT-LEDE9-1-L-4	藍 Blue	
	CT-LEDT9-1-W-2	CT-LEDT9-1-W-4	CT-LEDE9-1-W-2	CT-LEDE9-1-W-4	白 White	
AC 220V		CT-LEDT9-2-R-4		CT-LEDE9-2-R-4	紅 Red	
		CT-LEDT9-2-Y-4		CT-LEDE9-2-Y-4	黃 Yellow	
		CT-LEDT9-2-G-4		CT-LEDE9-2-G-4	綠 Green	
		CT-LEDT9-2-L-4		CT-LEDE9-2-L-4	藍 Blue	
		CT-LEDT9-2-W-4		CT-LEDE9-2-W-4	白 White	
AC/DC 18V			CT-LEDE12-18-R-2		紅 Red	2
			CT-LEDE12-18-Y-2		黃 Yellow	
			CT-LEDE12-18-G-2		綠 Green	
			CT-LEDE12-18-L-2		藍 Blue	
			CT-LEDE12-18-W-2		白 White	
AC/DC 24V			CT-LEDE12-24-R-2		紅 Red	
			CT-LEDE12-24-Y-2		黃 Yellow	
			CT-LEDE12-24-G-2		綠 Green	
			CT-LEDE12-24-L-2		藍 Blue	
			CT-LEDE12-24-W-2		白 White	

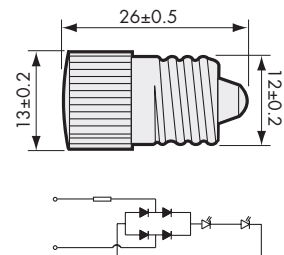
Size 1
Plug-in Type



Size 1
Spiral Type



Size 2



Unit: mm

NEON

電壓 Voltage: AC/DC 6.3~220V

環境溫度 Ambient Temperature: -25°C~+55°C

安裝方式 卡式&螺旋 Installation : Plug-In Type & Spiral Type

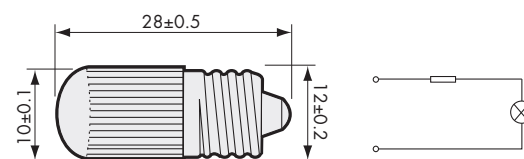
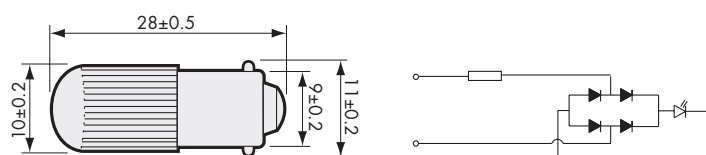
重量 Weight: 1.6g



電壓 Voltage	型號 Part No.		顏色 Color
	卡式 Plug-In Type	螺旋 Spiral Type	
AC/DC 6.3V	CT-BAT9S-6.3	CT-BAE9S-6.3	白熾 incandescent light ○
AC/DC 24V	CT-BAT9S-24	CT-BAE9S-24	白熾 incandescent light ○
AC/DC 110V	CT-BAT9S-1-R	CT-BAE9S-1-R	紅 Red ●
	CT-BAT9S-1-G	CT-BAE9S-1-G	綠 Green ●
		CT-BAE9S-1-L	藍 Blue ●
AC 220V	CT-BAT9S-2-R	CT-BAE9S-2-R	紅 Red ●
	CT-BAT9S-2-G	CT-BAE9S-2-G	綠 Green ●
		CT-BAE9S-2-L	藍 Blue ●

Plug-in Type

Spiral Type



Unit: mm

PILOT LIGHT

電壓 Voltage: AC 24~380V, DC 24~125V

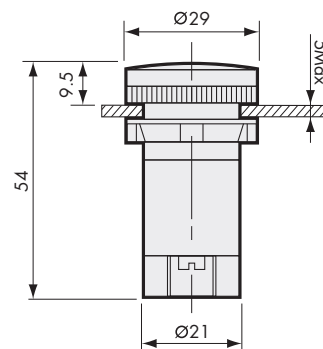
安裝尺寸 Mounting Dimensions: 22

需搭配同等電壓的燈泡 Depends on applied LED bulb

適用卡式燈泡 Applies to the bulb of plug-in type (T9)



型號 Part No.	顏色 Color	電壓 Voltage	重量 Weight (g)
CT-EV41	白 White ○	220VAC	18
CT-EV43	綠 Green ●		
CT-EV44	紅 Red ●		
CT-EV45	黃 Yellow ●		
CT-EV46	藍 Blue ●		
CT-EVS41	白 White ○	400VAC (用220V燈泡) (Use the 220V bulb)	
CT-EVS43	綠 Green ●		
CT-EVS44	紅 Red ●		
CT-EVS45	黃 Yellow ●		
CT-EVS46	藍 Blue ●		



Unit: mm

PILOT LIGHT

電壓 Voltage: AC/DC 24~220V

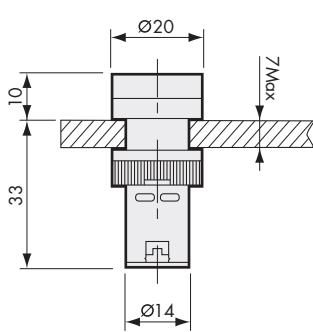
安裝尺寸 Mounting Dimensions: 16φ, 22φ, 30φ

環境溫度 Ambient Temperature: -25°C~+55°C

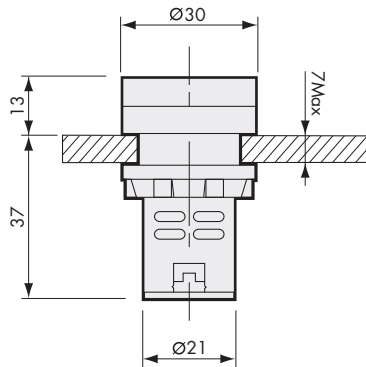


直徑尺寸 Diameter	型號 Part No.			顏色 Color	重量 Weight (g)
	電壓 Voltage AC/DC24V	電壓 Voltage AC/DC110V	電壓 Voltage AC220V		
ø16	CT-PE16-24-R	CT-PE16-1-R	CT-PE16-2-R	紅 Red ●	9.2
	CT-PE16-24-Y	CT-PE16-1-Y	CT-PE16-2-Y	黃 Yellow ●	
	CT-PE16-24-G	CT-PE16-1-G	CT-PE16-2-G	綠 Green ●	
	CT-PE16-24-L	CT-PE16-1-L	CT-PE16-2-L	藍 Blue ●	
	CT-PE16-24-W	CT-PE16-1-W	CT-PE16-2-W	白 White ○	
ø22	CT-PE22-24-R	CT-PE22-1-R	CT-PE22-2-R	紅 Red ●	19.1
	CT-PE22-24-Y	CT-PE22-1-Y	CT-PE22-2-Y	黃 Yellow ●	
	CT-PE22-24-G	CT-PE22-1-G	CT-PE22-2-G	綠 Green ●	
	CT-PE22-24-L	CT-PE22-1-L	CT-PE22-2-L	藍 Blue ●	
	CT-PE22-24-W	CT-PE22-1-W	CT-PE22-2-W	白 White ○	
	CT-PE22-24-PW	CT-PE22-1-PW	CT-PE22-2-PW	超白 Pure White ○	
ø30	CT-PE30-24-R	CT-PE30-1-R	CT-PE30-2-R	紅 Red ●	24.4
	CT-PE30-24-Y	CT-PE30-1-Y	CT-PE30-2-Y	黃 Yellow ●	
	CT-PE30-24-G	CT-PE30-1-G	CT-PE30-2-G	綠 Green ●	
	CT-PE30-24-L	CT-PE30-1-L	CT-PE30-2-L	藍 Blue ●	
	CT-PE30-24-W	CT-PE30-1-W	CT-PE30-2-W	白 White ○	
	CT-PE30-24-PW	CT-PE30-1-PW	CT-PE30-2-PW	超白 Pure White ○	

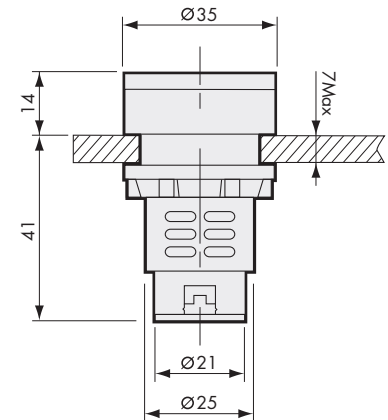
PE16



PE22



PE30



Unit: mm



多層式警示燈

PT等系列多層式警示燈可裝各種機械。以燈光蜂鳴聲警示各種突發狀況，可根據客戶不同的需求訂製型式及規格。

發光時間超過50000小時。新工藝抗震設計可大幅度降低因機器劇烈震動而損壞的機率。

其款式新穎，功能齊備，有常亮型、閃光型和帶蜂鳴器型，是各類機械設備及燈光聲配套首選。

TOWER LIGHT

PT series, multi-layered warning lights can be installed in all kind of machineries. By lighting and beeping signals to indicate unexpected situations. Specifications can be customized based on different needs.

Lighting time more than 50,000 hours. New technical design can greatly reduce the chances of a result of severe vibration, damage to the machine. Modern design and well-equipped signaling functions which can come with eternal lighting type, flashing/twinkling type or buzzing type.

BULB FOR PT5

塔燈燈泡 PT5專用



電壓 Voltage	型號 Part No.	顏色 Color
12V	CT-LEDPT5-12-R	紅 Red ●
	CT-LEDPT5-12-Y	黃 Yellow ●
	CT-LEDPT5-12-G	綠 Green ●
	CT-LEDPT5-12-L	藍 Blue ●
	CT-LEDPT5-12-W	白 White ○
24V	CT-LEDPT5-24-R	紅 Red ●
	CT-LEDPT5-24-Y	黃 Yellow ●
	CT-LEDPT5-24-G	綠 Green ●
	CT-LEDPT5-24-L	藍 Blue ●
	CT-LEDPT5-24-W	白 White ○
110V/220V 共用 Common	CT-LEDPT5-2-R	紅 Red ●
	CT-LEDPT5-2-Y	黃 Yellow ●
	CT-LEDPT5-2-G	綠 Green ●
	CT-LEDPT5-2-L	藍 Blue ●
	CT-LEDPT5-2-W	白 White ○

PT5D SERIES

PT5D系列

閃爍數 Flashes: 60-80/min

內裝蜂鳴器音量 Volume of Buzzer: 85dB

主要材質: 燈罩-PC, 燈座-ABS Material: Shades -PC, lamp holders -ABS

防護等級 IP Ratings: IP30

高亮度LED光源 High brightness LED type

特殊閃光燈罩提高可見度 Special flash cover provides high visibility

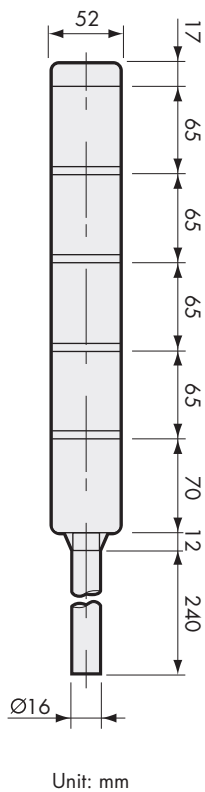
可配多種固定支架 A variety of options with mounting brackets



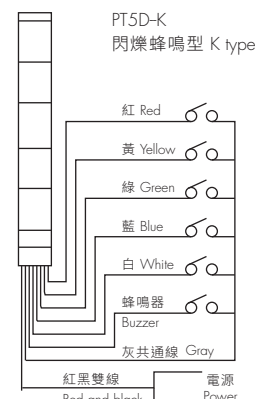
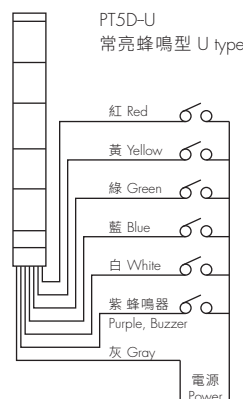
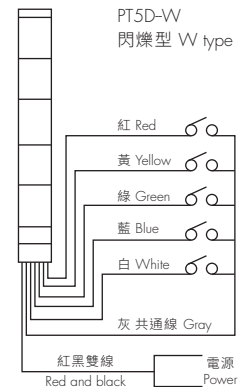
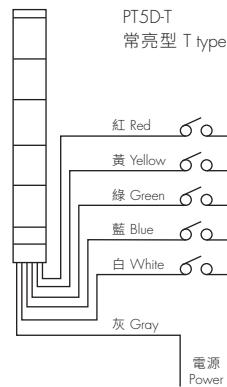
型號 Part No.					
規格型號 Spec. Model	層數 Layer	特性 Feature	電壓 Voltage	顏色 Color	
CT-PT5D	1	T 常亮Eternal lighting	12 AC/DC12V	R 紅 Red	●
	2	W 閃爍Twinkling light	24 AC/DC24V	Y 黃 Yellow	●
	3	U 常亮帶蜂鳴器Eternal lighting with buzzer	1 AC110V	G 綠 Green	●
	4	K 閃爍帶蜂鳴器Twinkling light with buzzer	2 AC220V	L 藍 Blue	●
	5			W 白 White	○

電壓 Voltage	信號線電流 Current of Signal Cable	突入電流 Inrush Current	外部接點用量 Current of Contact	蜂鳴器線電流 Current of Buzzer Cable
AC/DC 12V	0.357A	atb. 4.8A	over 5A	0.025A
AC/DC 24V	0.185A	atb. 2.4A	over 3A	0.012A
AC 110V	0.042A	aatb. 0.6A	over 1A	0.038A
AC 220V	0.021A	aatb. 0.4A	over 1A	0.004A

尺寸圖 Dimension



接線圖 Wiring Diagram



PT7D SERIES

PT7D系列

閃爍數 Flashes: 60-80/min

內裝蜂鳴器音量 Volume of Buzzer: 85dB

主要材質: 燈罩-PC, 燈座-ABS Material: Shades -PC, lamp holders -ABS

防護等級 IP Ratings: IP30

高亮度LED光源 High brightness LED type

接插型構造使顏色的更換與維修更便利

The plug-type structure makes the replacement of color and maintenance more convenient

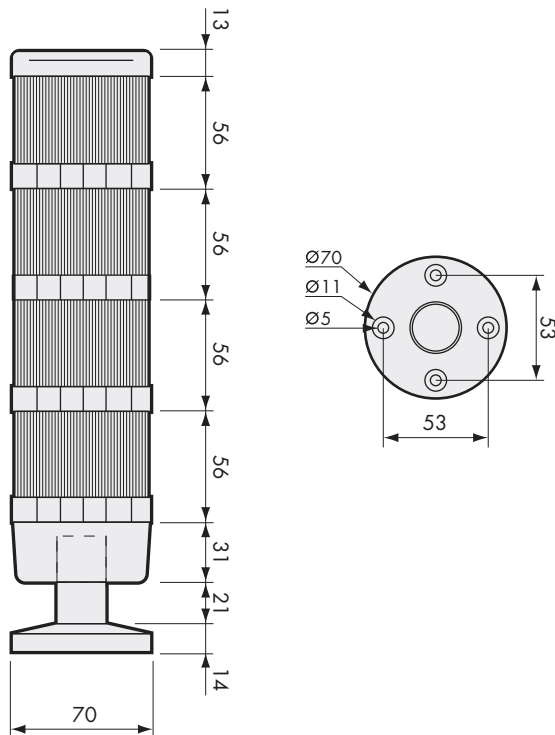
可配多種固定支架 A variety of options with mounting brackets



型號 Part No.				
規格型號 Spec. Model	層數 Layer	特性 Feature	電壓 Voltage	顏色 Color
CT-PT7D	1	J	12 AC/DC12V	R 紅 Red ●
	2	可自行選擇閃爍、常亮、環繞 帶蜂鳴器 Choose twinkling, eternaling, Rotating mode by switch With buzzer	24 AC/DC24V	Y 黃 Yellow ●
	3		1 AC110V	G 綠 Green ●
	4		2 AC220V	L 藍 Blue ●
				W 白 White ○

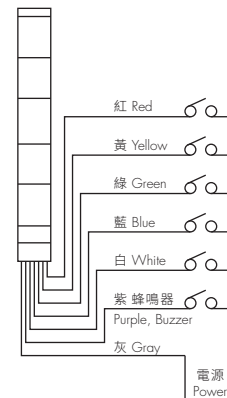
電壓 Voltage	信號線電流 Current of Signal Cable	突入電流 Inrush Current	外部接點用量 Current of Contact	蜂鳴器線電流 Current of Buzzer Cable
AC/DC 12V	0.68A	atb. 11A	over 12A	0.025A
AC/DC 24V	0.33A	atb. 6A	over 7A	0.012A
AC 110V	0.064A	aatb. 1.2A	over 2A	0.008A
AC 220V	0.031A	aatb. 0.6A	over 1A	0.004A

尺寸圖 Dimension



Unit: mm

接線圖 Wiring Diagram



ACCESSORY

塔燈配件



CT-SN16



CT-LB16



CT-SZ16



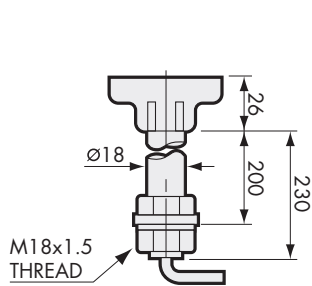
CT-ZW16



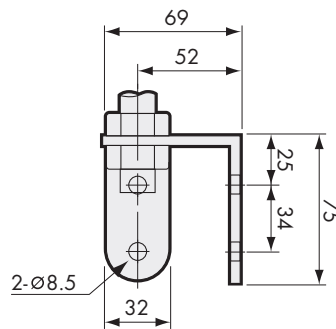
CT-ZWS16

型號 Part No.	特性 Feature
CT-SN16	在金屬支桿末端裝有固定螺絲的標準規格 The end of the pole equips with standard screws
CT-LB16	在金屬支桿末端安裝L型支架，可安裝於如壁面的垂直面上 The end of the pole equips with L-shaped bracket, supports the installation on a vertical surface as a wall.
CT-SZ16	圓形底盤可方便地將產品安裝於如桌面的水平面上 Round chassis easily allows horizontal installation
CT-ZW16	可安裝於壁面之類的垂直面上，外型美觀，安裝更為簡便 Able to install on a vertical surface as wall, easy to install and neat appearance to fit into the environment
CT-ZWS16	

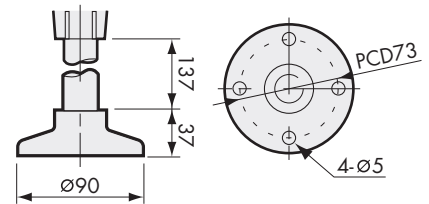
CT-SN16



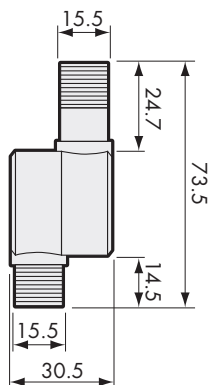
CT-LB16



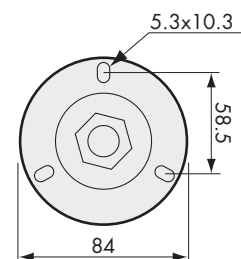
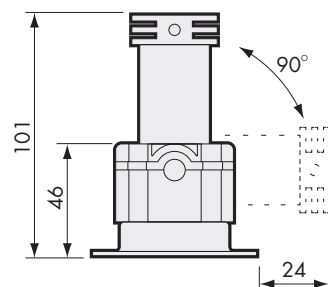
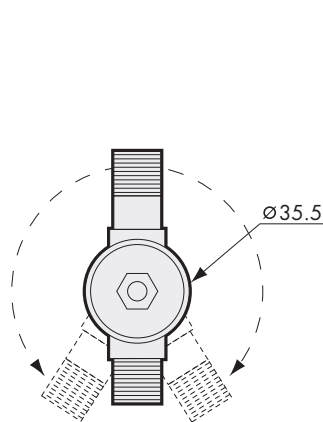
CT-SZ16



CT-ZW16



CT-ZWS16



Unit: mm



S 系列

本公司按鈕結構設計符合國家及歐共體CE安全認證要求，按照國際標準IEC947和EN60947及CCC中國GB14048.5-2001生產檢驗。

按鈕安裝方式是以螺母固定式結構安裝，防汙防水性能好，觸點開關採模組化設計、環繞封閉式結構、防手指直接接觸(防觸電設計)、積木式安裝結構。各部件採用國際通行的緊固件自鎖聯接，拆裝方便、使用安全可靠，結構設計美觀、合理。帶有防震的自升螺釘端子，接線螺絲不會鬆動脫落便於介面安裝。

S SERIES

S Series buttons are manufactured according CE safety certification requirements, meets IEC947, EN60947, CCC China and GB14048.5-2001 standards.

Button mounting method adopts cap-nut locking structure, provides good antifouling and water-resistance function. Contact switches uses modular and closed structure, avoid direct finger contact causes electric shock. Every component is internationally self-locking joined fasteners, easy accessibility, safety and reliability. With anti-shock screw terminals which provides firm position but easy installation.

主要技術參數 Technical Data

額定容量 Rated Capacity	AC-15 220V/6A 380V/4A 660V/2A DC-13 24V/6A 48V/3A 110V/1A
接觸電阻 Contact Resistance	硬銀觸點 Hard Sliver Contact $\leq 50m\Omega$
最大絕緣電壓 Max. Insulation Voltage	AC 2500V 50Hz, 1min
機械壽命 Mechanical Life	一般鈕 $\geq 2 \times 10^6$ 次, 旋鈕 $\geq 4 \times 10^5$ 次, 鑰匙鈕 $\geq 5 \times 10^3$ 次, 緊急鈕 $\geq 5 \times 10^3$ 次 Normal Button $\geq 2 \times 10^6$ times, Knob $\geq 4 \times 10^5$ times Key Button $\geq 5 \times 10^3$ times, Emergency Button $\geq 5 \times 10^3$ times
電壽命 Electrical Life	$\geq 6 \times 10^5$ 次 $\geq 6 \times 10^5$ times
約定發熱電流 Conventional Thermal Current	Ith 10A
額定絕緣電壓 Rated Insulation Voltage	Ui AC660V
環境溫度 Ambient Temperature	-25°C~+55°C
前部防護等級 IP Ratings	IP40~65

PUSHBUTTON

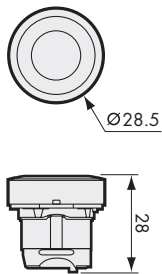
彈簧復位按鈕



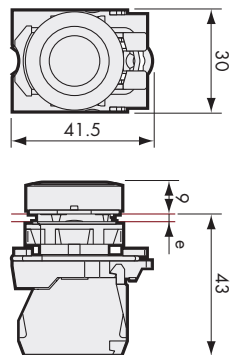
描述 Description	型號 Part No.	顏色 Color	重量 Weight (g)	範例重量 Example Weight (g)
平頭式按鈕 (純色版本) Flush Pushbutton (Solid Color Version)	CT-SA1-W	白 White ○	18	47 (2 Contacts)
	CT-SA2-B	黑 Black ●		
	CT-SA3-G	綠 Green ●		
	CT-SA4-R	紅 Red ●		
	CT-SA5-Y	黃 Yellow ●		
	CT-SA6-L	藍 Blue ●		

描述 Description	型號 Part No.	顏色 Color	重量 Weight (g)	功能符號 Mark
平頭式按鈕 (帶功能版本) Flush Pushbutton (With Mark Version)	CT-SA1-W-C_	白 White ○	18	C1
	CT-SA2-B-C_	黑 Black ●		C2 ↑
	CT-SA3-G-C_	綠 Green ●		C3 ↓
	CT-SA4-R-C_	紅 Red ●		C4 ○
	CT-SA5-Y-C_	黃 Yellow ●		C5 STOP
	CT-SA6-L-C_	藍 Blue ●		

Type SA



Type SA Example



Note



CT-SA3-G + CT-SZ
+ CT-SA + CT-S-B



CT-SA4-R-C4 + CT-SZ
+ CT-SA + CT-S-B

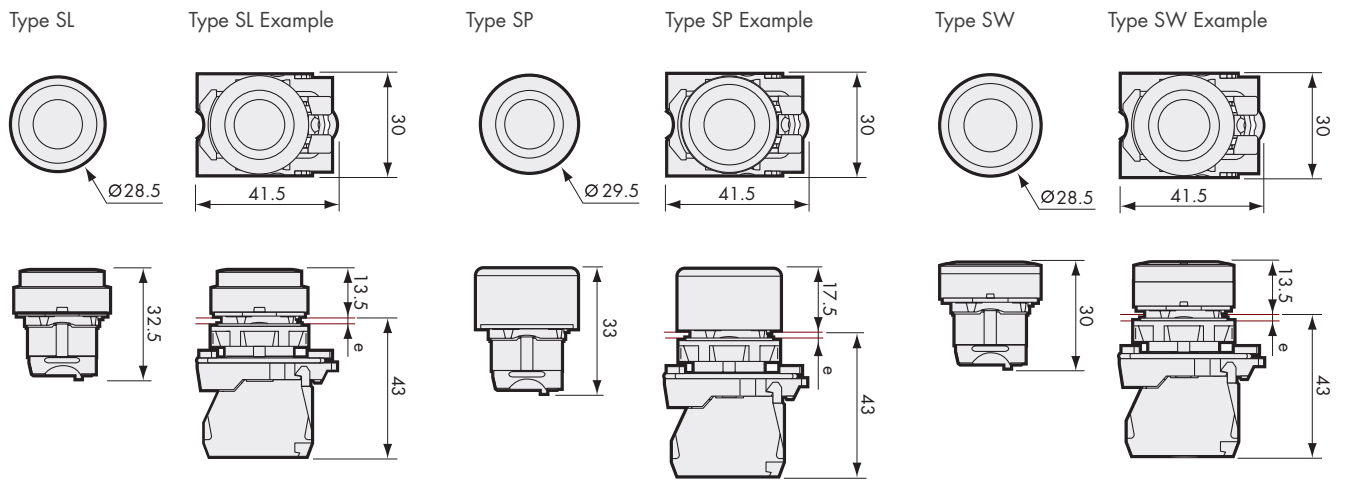
Unit: mm

PUSHBUTTON

彈簧復位按鈕



描述 Description	型號 Part No.	顏色 Color	重量 Weight (g)	範例重量 Example Weight (g)
凸頭式按鈕 Projecting Pushbutton	CT-SL1-W	白 White ○	19	48 (2 Contacts)
	CT-SL2-B	黑 Black ●		
	CT-SL3-G	綠 Green ●		
	CT-SL4-R	紅 Red ●		
	CT-SL5-Y	黃 Yellow ●		
	CT-SL6-L	藍 Blue ●		
防水罩式平頭按鈕 Flush Pushbutton (With water-proof cover)	CT-SP1-W	白 White ○	21	49 (2 Contacts)
	CT-SP2-B	黑 Black ●		
	CT-SP3-G	綠 Green ●		
	CT-SP4-R	紅 Red ●		
	CT-SP5-Y	黃 Yellow ●		
	CT-SP6-L	藍 Blue ●		
平頭照光式按鈕 Flush Illuminated Pushbutton	CT-SW1-W	白 White ○	17	46 (2 Contacts)
	CT-SW3-G	綠 Green ●		
	CT-SW4-R	紅 Red ●		
	CT-SW5-Y	黃 Yellow ●		
	CT-SW6-L	藍 Blue ●		



Unit: mm

Note



CT-SL4-R + CT-SZ
+ CT-S-A + CT-S-B



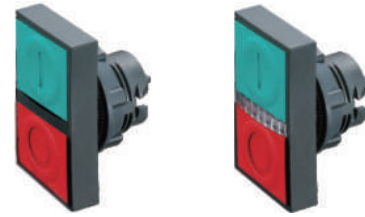
CT-SP1-W + CT-SZ + CT-S-A







CT-SW3-G + CT-SZ + CT-S-A
+ CT-S-B + CT-SW06

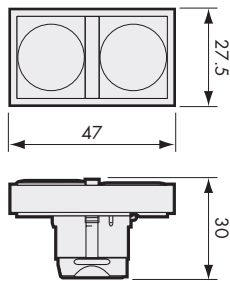
PUSHBUTTON DOUBLE HEADED

雙頭開關

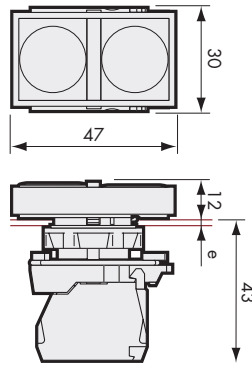


描述 Description	型號 Part No.	顏色 Color	重量 Weight (g)	範例重量 Example Weight (g)
雙頭開關 Double Headed Pushbutton	CT-SAA8134	綠+紅 Green+Red 	22	49 (2 Contacts)
	CT-SAA9134	白+黑 White+Black 		
照光雙頭開關 Illuminated Double Headed Pushbutton	CT-SAW813743	綠+紅 Green+Red 	22	49 (2 Contacts)
	CT-SAW811723	白+黑 White+Black 		

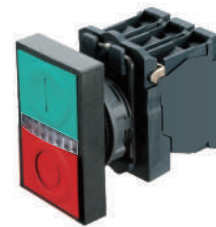
Type SAA & SAW



Example



Note



CT-SAW813743 + CT-SZ + CT-S-A
+ CT-S-B + CT-SW06

Unit: mm

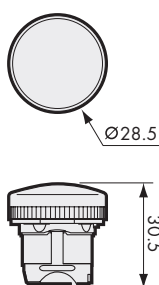
PILOT LIGHT

LED指示燈

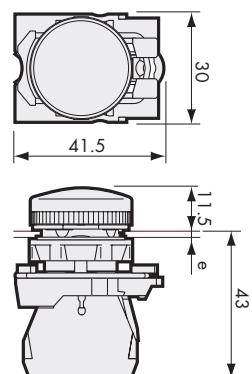


描述 Description	型號 Part No.	顏色 Color	重量 Weight (g)	範例重量 Example Weight (g)
LED指示燈 Pilot Light with Integrated LED	CT-SV1-W	白 White 	17	46 (2 Contacts)
	CT-SV3-G	綠 Green 		
	CT-SV4-R	紅 Red 		
	CT-SV5-Y	黃 Yellow 		
	CT-SV6-L	藍 Blue 		

Type SV



Example



Note



CT-SV3-G + CT-SZ + CT-SW06
LED 24V~220V

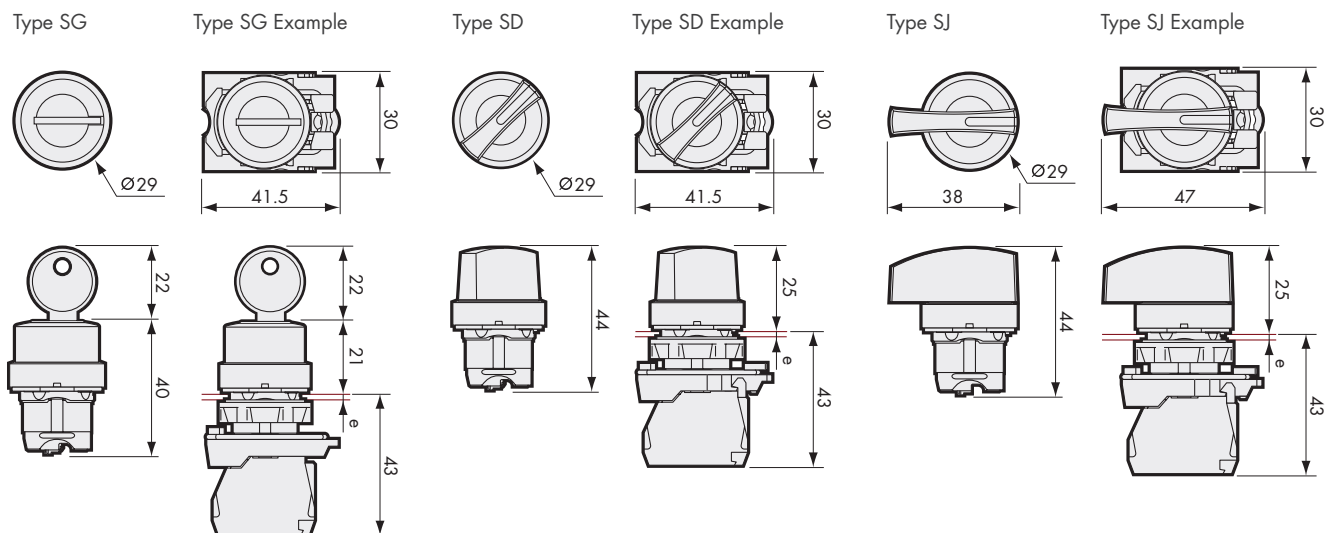
Unit: mm

SELECT SWITCH

選擇開關



描述 Description	段數 Segments	型號 Part No.	切換方式 Switch Way	重量 Weight (g)	範例重量 Example Weight (g)	
鑰匙選擇開關 Key Switch (n° 455)	2段 2-Position	CT-SG21	左邊可抽	∨	65	87 (2 Contacts)
		CT-SG22	雙邊可抽	∨		
		CT-SG23	右復歸左邊可抽	∨		
	3段 3-Position	CT-SG31	中間可抽	∨		
		CT-SG32	左邊可抽	∨		
		CT-SG33	右邊可抽	∨		
		CT-SG34	兩端可抽	∨		
		CT-SG35	三邊可抽	∨		
		&鑰匙可抽位置 key pullout in "&" position				
短柄選擇開關 Standard Handle Switch	2段 2-Position	CT-SD21	兩端定位	∨	19	46 (2 Contacts)
		CT-SD22	右復歸	∨		
	3段 3-Position	CT-SD31	三邊定位	∨		
		CT-SD32	兩端復歸	∨		
		CT-SD33	左復歸	∨		
		CT-SD34	右復歸	∨		
長柄選擇開關 Long Handle Switch	2段 2-Position	CT-SJ21	兩端定位	∨	20	47 (2 Contacts)
		CT-SJ22	右復歸	∨		
	3段 3-Position	CT-SJ31	三邊定位	∨		
		CT-SJ32	兩端復歸	∨		
		CT-SJ33	左復歸	∨		
		CT-SJ34	右復歸	∨		



Unit: mm

Note



CT-SG21 + CT-SZ
+ CT-S-A + CT-S-B



CT-SD21 + CT-SZ
+ CT-S-A + CT-S-B



CT-SJ21 + CT-SZ + CT-S-A

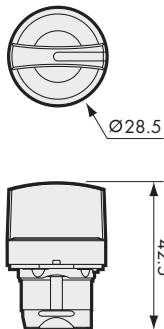
ILLUMINATED HANDLE SWITCH

照光選擇開關

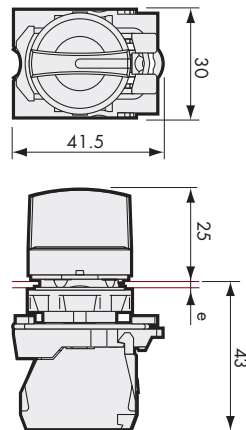


描述 Description	段數 Segments	切換方式 Switch Way	型號 Part No.	顏色 Color	重量 Weight (g)	範例重量 Example Weight (g)
照光選擇開關 Illuminated Select Switch	2段 2-Position	 兩端定位	CT-SK21-W	白 White ○	16	111 (2 Contacts)
			CT-SK21-G	綠 Green ●		
			CT-SK21-R	紅 Red ●		
			CT-SK21-Y	黃 Yellow ●		
		CT-SK21-L	藍 Blue ●			
		 右復歸	CT-SK22-W	白 White ○		
			CT-SK22-G	綠 Green ●		
			CT-SK22-R	紅 Red ●		
	CT-SK22-Y		黃 Yellow ●			
	3段 3-Position	 三邊定位	CT-SK31-W	白 White ○		
			CT-SK31-G	綠 Green ●		
			CT-SK31-R	紅 Red ●		
			CT-SK31-Y	黃 Yellow ●		
		 兩端復歸	CT-SK32-W	白 White ○		
			CT-SK32-G	綠 Green ●		
			CT-SK32-R	紅 Red ●		
CT-SK32-Y			黃 Yellow ●			
CT-SK32-L	藍 Blue ●					

Type SK



Type SK Example



Note



CT-SK32-R + CT-SZ + CT-SW06
+ CT-S-A + CT-S-B

Unit: mm

PUSHBUTTON MUSHROOM HEAD

蘑菇頭按鈕



描述 Description	型號 Part No.	顏色 Color	重量 Weight (g)	範例重量 Example Weight (g)
自返式蘑菇頭按鈕 Ø 30mm Mushroom Head Pushbutton Spring Return	CT-SC32-B	黑 Black ●	28	58 (2 Contacts)
	CT-SC33-G	綠 Green ●		
	CT-SC34-R	紅 Red ●		
	CT-SC35-Y	黃 Yellow ●		
自返式蘑菇頭按鈕 Ø 40mm Mushroom Head Pushbutton Spring Return	CT-SC42-B	黑 Black ●	30	60 (2 Contacts)
	CT-SC43-G	綠 Green ●		
	CT-SC44-R	紅 Red ●		
	CT-SC45-Y	黃 Yellow ●		
轉動復位蘑菇頭按鈕 Ø 30mm Mushroom Head Pushbutton Turn to Release	CT-SS32-B	黑 Black ●	30	61 (2 Contacts)
	CT-SS33-G	綠 Green ●		
	CT-SS34-R	紅 Red ●		
	CT-SS35-Y	黃 Yellow ●		
轉動復位蘑菇頭按鈕 Ø 40mm Mushroom Head Pushbutton Turn to Release	CT-SS42-B	黑 Black ●	32	63 (2 Contacts)
	CT-SS43-G	綠 Green ●		
	CT-SS44-R	紅 Red ●		
	CT-SS45-Y	黃 Yellow ●		

Type SC3

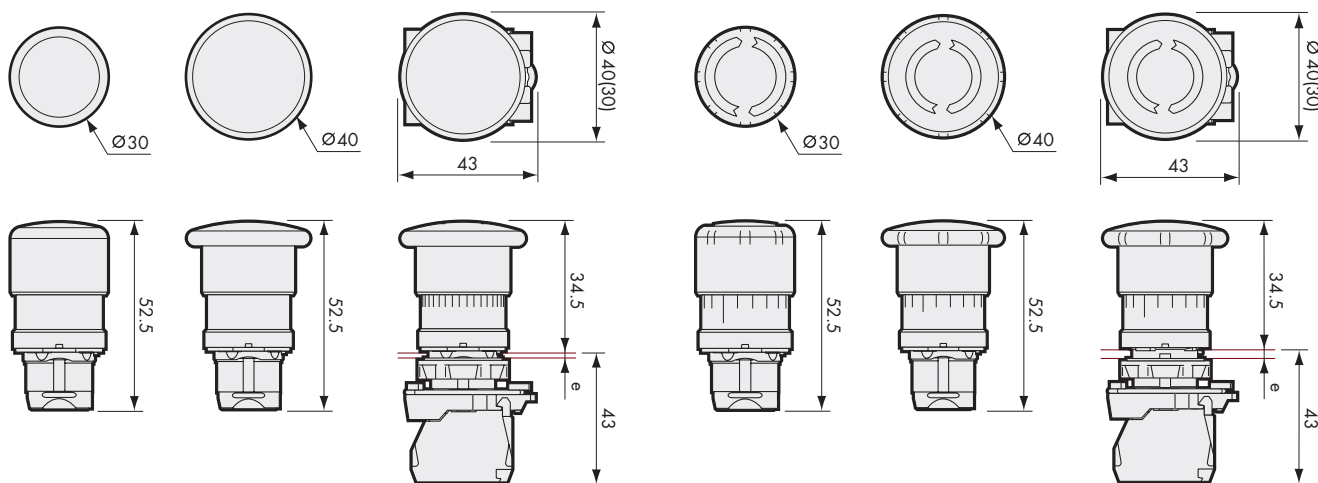
Type SC4

Type SC Example

Type SS3

Type SS4

Type SS Example



Unit: mm

Note



CT-SC44-R + CT-SZ + CT-S-A



CT-SS34-R + CT-SZ
+ CT-S-A + CT-S-B



CT-SS44-R + CT-SZ + CT-S-A

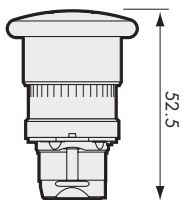
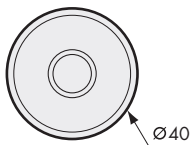
PUSHBUTTON MUSHROOM HEAD

蘑菇頭按鈕

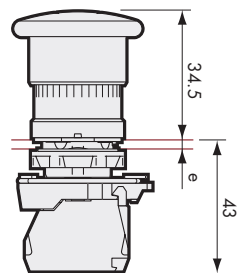
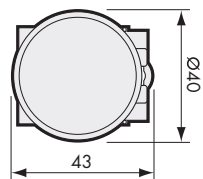


描述 Description	型號 Part No.	顏色 Color	重量 Weight (g)	範例重量 Example Weight (g)
推拉式蘑菇頭按鈕 Ø 40mm Mushroom Head Pushbutton Push-pull	CT-ST4	紅 Red	32	63 (2 Contacts)
鑰匙轉動復位蘑菇頭按鈕 Ø 30mm Mushroom Head Pushbutton Key Release	CT-SSK3	紅 Red	40	93 (2 Contacts)
鑰匙轉動復位蘑菇頭按鈕 Ø 40mm Mushroom Head Pushbutton Key Release	CT-SSK4	紅 Red	44	98 (2 Contacts)

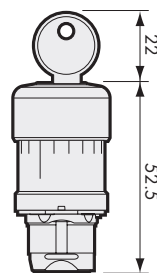
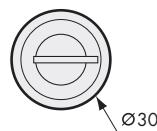
Type ST4



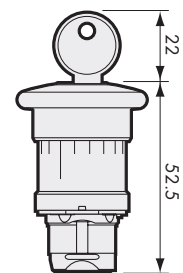
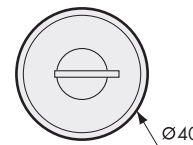
Type ST4 Example



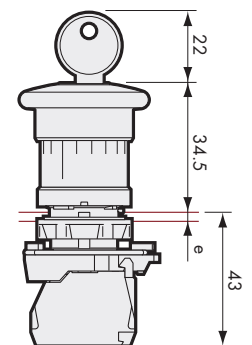
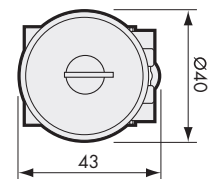
Type SSK3



Type SSK4



Type SSK Example



Unit: mm

Note



CT-ST4 + CT-SZ + CT-SA



CT-SSK4 + CT-SZ
+ CT-SA + CT-SB

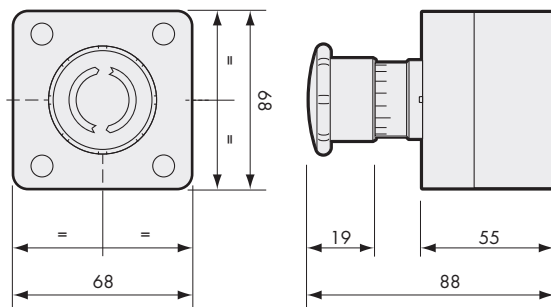
S TYPE BUTTON BOX

S型按鈕盒

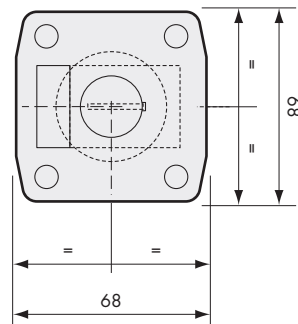


型號 Part No.	孔數 Hole Qty	重量 Weight (g)	顏色 Color
CT-S174	With 1 NC contact	175.2	黃 Yellow ●
CT-SBOX1-B	1	84.8	黑 Black ●
CT-SBOX2-B	2	119.9	
CT-SBOX3-B	3	141.4	
CT-SBOX4-B	4	168.3	
CT-SBOX5-B	5	190.3	
CT-SBOX1-Y	1	84.8	黃 Yellow ●
CT-SBOX2-Y	2	119.9	
CT-SBOX3-Y	3	141.4	
CT-SBOX4-Y	4	168.3	
CT-SBOX5-Y	5	190.3	

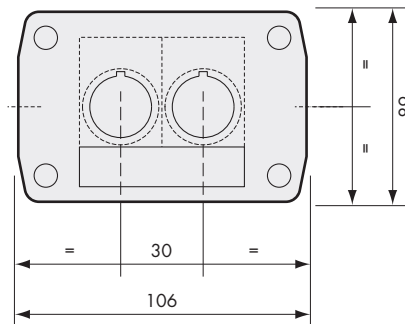
Type S174



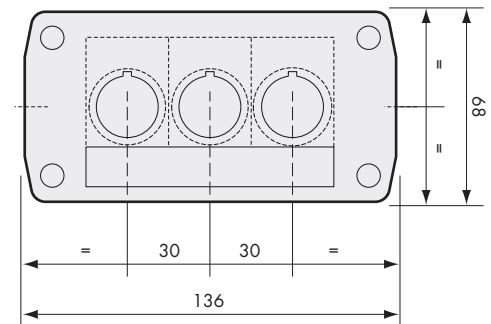
Type BOX1 (H:55mm)



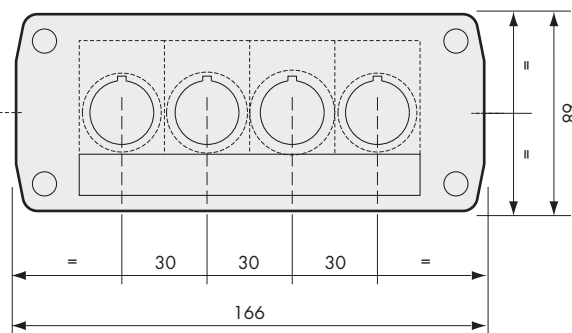
Type BOX2 (H:55mm)



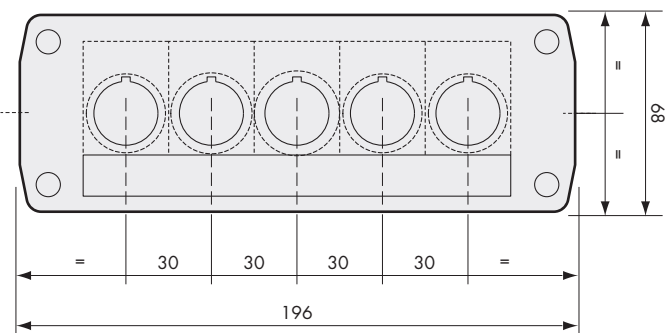
Type BOX3 (H:55mm)



Type BOX4 (H:55mm)



Type BOX5 (H:55mm)



ACCESSORY

開關配件



描述 Description	規格 Spec	型號 Part No.	顏色 Color	觸點類型 Type of Contact		重量 Weight (g)
				常開NO	常閉NC	
接點 Contact Block	250VAC 10A	CT-S-A		1	-	11
	250VAC 10A	CT-S-B		-	1	
反向接點 Reverse Contact Block	250VAC 10A	CT-S-A-1		1	-	11
	250VAC 10A	CT-S-B-1		-	1	
連接中板 Neutral Link		CT-SZ				7
直接燈座(不帶燈泡) Light Base (Without Bulb)	220VAC	CT-SW05				10
LED一體式燈座 Light Base with LED	24V (AC/DC)	CT-SW06-24-W	白 White	○		18
		CT-SW06-24-G	綠 Green	●		
		CT-SW06-24-R	紅 Red	●		
		CT-SW06-24-Y	黃 Yellow	●		
		CT-SW06-24-L	藍 Blue	●		
	110V (AC/DC)	CT-SW06-1-W	白 White	○		20
		CT-SW06-1-G	綠 Green	●		
		CT-SW06-1-R	紅 Red	●		
		CT-SW06-1-Y	黃 Yellow	●		
	220V (AC)	CT-SW06-2-W	白 White	○		22
		CT-SW06-2-G	綠 Green	●		
		CT-SW06-2-R	紅 Red	●		
		CT-SW06-2-L	藍 Blue	●		
反向LED一體式燈座 Reverse Light Base with LED	24V (AC/DC)	CT-SW08-24-W	白 White	○		18
		CT-SW08-24-G	綠 Green	●		
		CT-SW08-24-R	紅 Red	●		
		CT-SW08-24-Y	黃 Yellow	●		
		CT-SW08-24-L	藍 Blue	●		
	110V (AC/DC)	CT-SW08-1-W	白 White	○		20
		CT-SW08-1-G	綠 Green	●		
		CT-SW08-1-R	紅 Red	●		
		CT-SW08-1-Y	黃 Yellow	●		
	220V (AC)	CT-SW08-2-W	白 White	○		22
		CT-SW08-2-G	綠 Green	●		
		CT-SW08-2-R	紅 Red	●		
		CT-SW08-2-L	藍 Blue	●		



B 系列

本公司按鈕結構設計符合國家及歐共體CE安全認證要求，按照國際標準IEC947和EN60947及CCC中國GB14048.5-2001生產檢驗。

按鈕安裝方式是以螺絲固定自動接地功能安裝，觸點開關採模組化設計、環繞封閉式結構、防手指直接接觸(防觸電設計)、積木式安裝結構。各部件採用國際通行的緊固件自鎖聯接，拆裝方便、使用安全可靠，結構設計美觀、合理。帶有防震的自升螺釘端子，接線螺絲不會鬆動脫落便於介面安裝。

B SERIES

B Series buttons are manufactured according CE safety certification requirements, meets IEC947, EN60947, CCC China and GB14048.5-2001 standards.

Button mounting method adopts cap-nut locking structure, provides good antifouling and water-resistance function. Contact switches uses modular and closed structure, avoid direct finger contact causes electric shock. Every component is internationally self-locking joined fasteners, easy accessibility, safety and reliability. With anti-shock screw terminals which provides firm position but easy installation.

主要技術參數 Technical Data

額定容量 Rated Capacity	AC-15 220V/6A 380V/4A 660V/2A DC-13 24V/6A 48V/3A 110V/1A
接觸電阻 Contact Resistance	硬銀觸點 Hard Sliver Contact $\leq 50\text{m}\Omega$
最大絕緣電壓 Max. Insulation Voltage	AC 2500V 50Hz, 1min
機械壽命 Mechanical Life	一般鈕 $\geq 2 \times 10^6$ 次, 旋鈕 $\geq 4 \times 10^5$ 次, 鑰匙鈕 $\geq 5 \times 10^3$ 次, 緊急鈕 $\geq 5 \times 10^3$ 次 Normal Button $\geq 2 \times 10^6$ times, Knob $\geq 4 \times 10^5$ times Key Button $\geq 5 \times 10^3$ times, Emergency Button $\geq 5 \times 10^3$ times
電壽命 Electrical Life	$\geq 6 \times 10^5$ 次 $\geq 6 \times 10^5$ times
約定發熱電流 Conventional Thermal Current	Ith 10A
額定絕緣電壓 Rated Insulation Voltage	Ui AC660V
環境溫度 Ambient Temperature	-25°C~+55°C
前部防護等級 IP Ratings	IP40~65

PUSHBUTTON

彈簧復位按鈕



CT-BA4-R



CT-BL-G

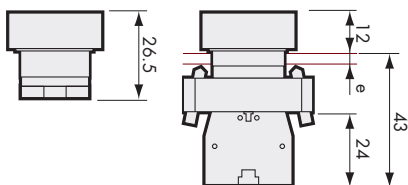
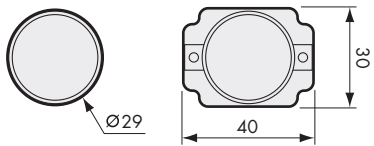


CT-BP4-R

描述 Description	型號 Part No.	顏色 Color	重量 Weight (g)	範例重量 Example Weight (g)
平頭式按鈕 Flush Pushbutton	CT-BA1-W	白 White ○	23	72 (1 Contact)
	CT-BA2-B	黑 Black ●		
	CT-BA3-G	綠 Green ●		
	CT-BA4-R	紅 Red ●		
	CT-BA5-Y	黃 Yellow ●		
	CT-BA6-L	藍 Blue ●		
凸頭式按鈕 Projecting Pushbutton	CT-BL2-B	黑 Black ●	26	75 (1 Contact)
	CT-BL3-G	綠 Green ●		
	CT-BL4-R	紅 Red ●		
	CT-BL5-Y	黃 Yellow ●		
防水罩式平頭按鈕 Flush Pushbutton (With water-proof cover)	CT-BP2-B	黑 Black ●	26	75 (1 Contact)
	CT-BP3-G	綠 Green ●		
	CT-BP4-R	紅 Red ●		
	CT-BP5-Y	黃 Yellow ●		
	CT-BP6-L	藍 Blue ●		

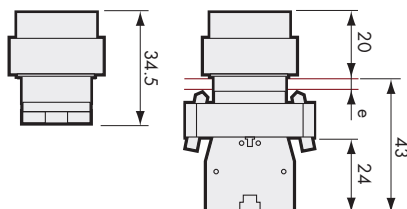
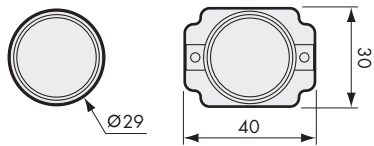
Type BA

Type BA Example



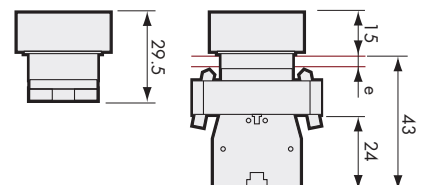
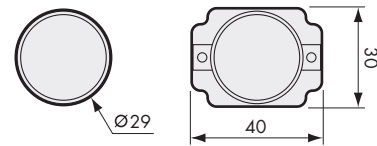
Type BL

Type BL Example



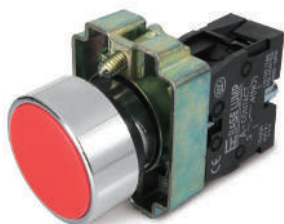
Type BP

Type BP Example

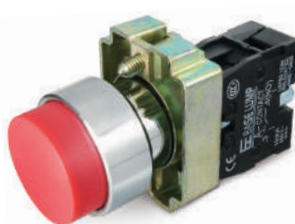


Unit: mm

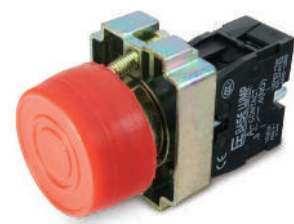
Note



CT-BA4-R + CT-BZA



CT-BL-R + CT-BZA



CT-BP4-R + CT-BZA

SELECT SWITCH

選擇按鈕



CT-BD2



CT-BJ2

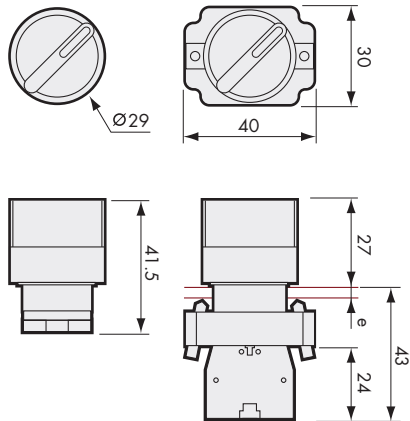


CT-BG2

描述 Description	自動/手動 Auto/Manual	型號 Part No.	切換方式 Switch Way	重量 Weight (g)	範例重量 Example Weight (g)
短柄選擇開關 Standard Handle Switch	手動 Manual	CT-BD2	兩端定位	38	87 (1 Contact)
		CT-BD3	三邊定位		
		CT-BD4	右復歸		
	自動 Auto	CT-BD5	兩端復歸		
		長柄選擇開關 Long Handle Switch	手動 Manual		
CT-BJ3	三邊定位				
CT-BJ4	右復歸				
自動 Auto	CT-BJ5		兩端復歸		
	鑰匙選擇開關 Key Switch (n° 455)		手動 Manual	CT-BG2	左邊可抽
CT-BG3		中間可抽			
CT-BG4		兩端可抽			
CT-BG5		三邊可抽			
& 鑰匙可抽位置 key pullout in "&" position					

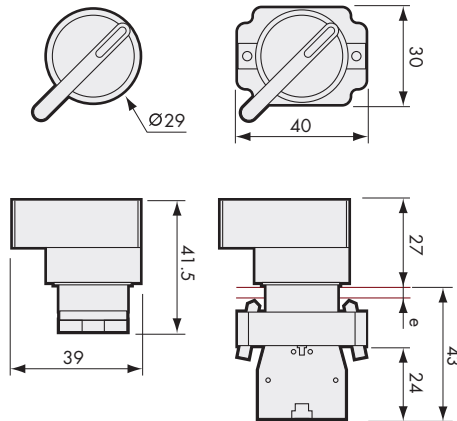
Type BD

Type BD Example



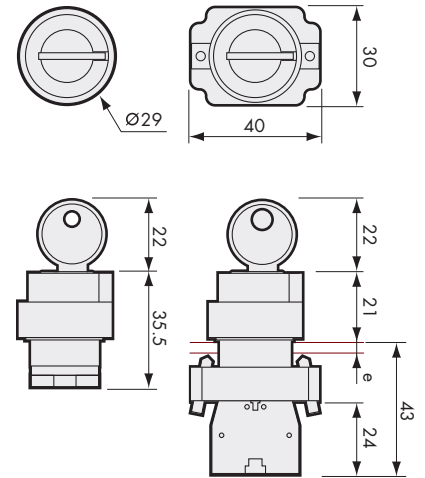
Type BJ

Type BJ Example



Type BG

Type BG Example



Unit: mm

Note



CT-BD2 + CT-BZA



CT-BJ2 + CT-BZA



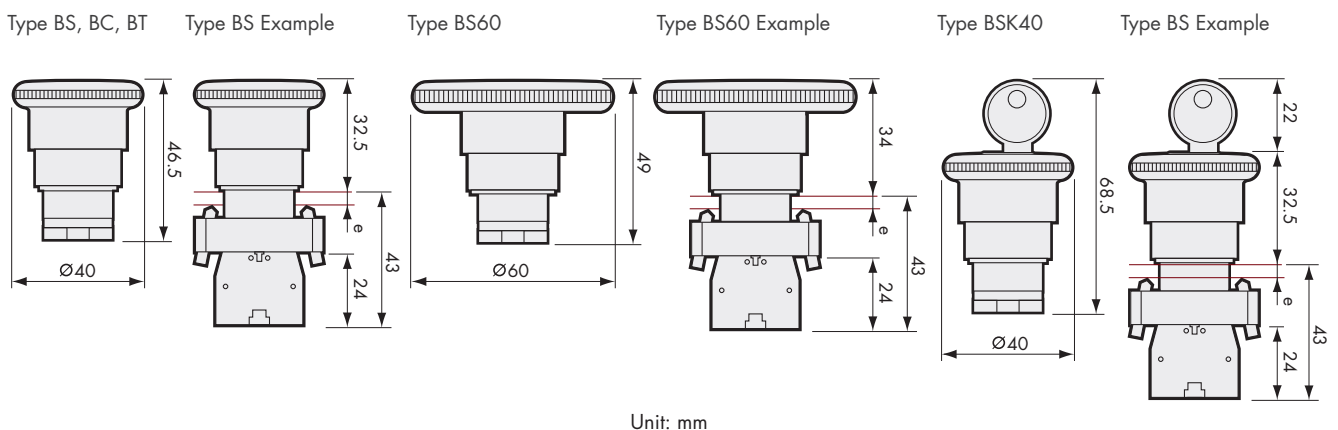
CT-BG2 + CT-BZA

PUSHBUTTON MUSHROOM HEAD

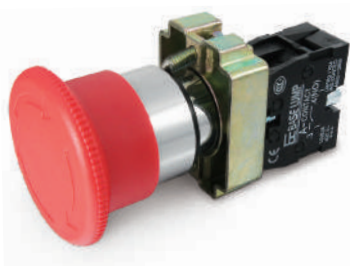
蘑菇頭按鈕



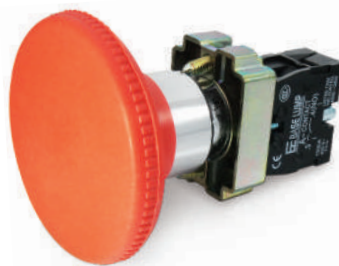
描述 Description	自動/手動 Auto/Manual	型號 Part No.	顏色 Color	重量 Weight	範例重量 Example Weight
轉動復位蘑菇頭按鈕 Ø40mm Mushroom Head Pushbutton Turn to Release	手動 Manual	CT-BS1-W	白 White ○	47	96 (1 Contact)
		CT-BS2-B	黑 Black ●		
		CT-BS3-G	綠 Green ●		
		CT-BS4-R	紅 Red ●		
		CT-BS5-Y	黃 Yellow ●		
		CT-BS6-L	藍 Blue ●		
自返式蘑菇頭按鈕 Ø40mm Mushroom Head Pushbutton Spring Return	自動 Auto	CT-BC1-W	白 White ○	46	95 (1 Contact)
		CT-BC2-B	黑 Black ●		
		CT-BC3-G	綠 Green ●		
		CT-BC4-R	紅 Red ●		
		CT-BC5-Y	黃 Yellow ●		
蘑菇頭按鈕 Ø60mm Mushroom Head Pushbutton	手動 Manual	CT-BS60	紅 Red ●	55	104 (1 Contact)
	自動 Auto	CT-BC60	紅 Red ●		
推拉式蘑菇頭按鈕 Ø40mm Mushroom Head Pushbutton Push-pull	自動 Auto	CT-BT4	紅 Red ●	67	116 (1 Contact)
鑰匙轉動復位蘑菇頭按鈕 Ø40mm Mushroom Head Pushbutton Key Release	手動 Manual	CT-BSK40	紅 Red ●	70	119 (1 Contact)



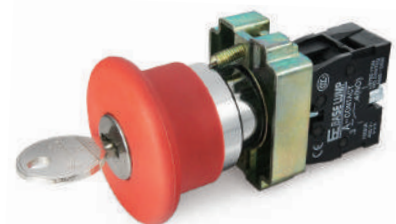
Note



CT-BS4-R + CT-BZA



CT-BS60 + CT-BZA



CT-BSK40+ CT-BZA

ILLUMINATED SWITCH

照光開關
可配Neon & LED



描述 Description	切换方式 Switch Way	型號 Part No.	顏色 Color	重量 Weight	範例重量 Example Weight
平頭照光按鈕 Illuminated Flush Pushbutton		CT-BW1-W	白 White ○	25	117 (1 Contact)
		CT-BW3-G	綠 Green ●		
		CT-BW4-R	紅 Red ●		
		CT-BW5-Y	黃 Yellow ●		
		CT-BW6-L	藍 Blue ●		
防水指示燈 Water Resistant Pilot Light		CT-BV1-W	白 White ○	20	112 (1 Contact)
		CT-BV3-G	綠 Green ●		
		CT-BV4-R	紅 Red ●		
		CT-BV5-Y	黃 Yellow ●		
		CT-BV6-L	藍 Blue ●		
照光手動選擇開關 Illuminated Selector Switch	兩端定位 ↙	CT-BK2-W	白 White ○	30	122 (1 Contact)
		CT-BK2-G	綠 Green ●		
		CT-BK2-R	紅 Red ●		
		CT-BK2-Y	黃 Yellow ●		
		CT-BK2-L	藍 Blue ●		
照光自動選擇開關 Illuminated Auto Selector Switch	右復歸 ↘	CT-BK2A-W	白 White ○	30	122 (1 Contact)
		CT-BK2A-G	綠 Green ●		
		CT-BK2A-R	紅 Red ●		
		CT-BK2A-Y	黃 Yellow ●		
		CT-BK2A-L	藍 Blue ●		
照光手動選擇開關 Illuminated Selector Switch	三邊定位 ↙	CT-BK3-W	白 White ○	30	122 (1 Contact)
		CT-BK3-G	綠 Green ●		
		CT-BK3-R	紅 Red ●		
		CT-BK3-Y	黃 Yellow ●		
		CT-BK3-L	藍 Blue ●		
照光自動選擇開關 Illuminated Auto Selector Switch	兩端復歸 ↘	CT-BK3A-W	白 White ○	30	122 (1 Contact)
		CT-BK3A-G	綠 Green ●		
		CT-BK3A-R	紅 Red ●		
		CT-BK3A-Y	黃 Yellow ●		
		CT-BK3A-L	藍 Blue ●		

Type BW

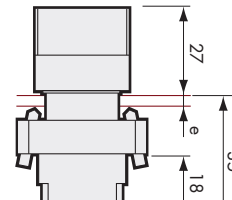
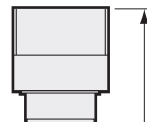
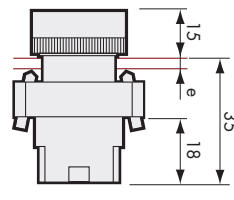
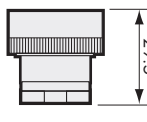
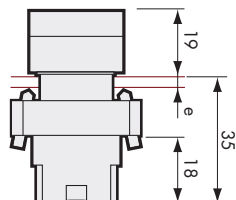
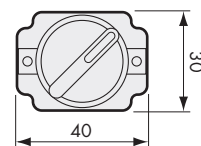
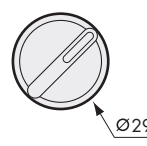
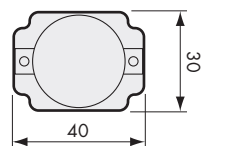
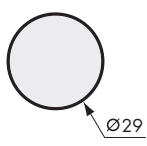
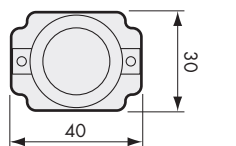
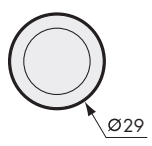
Type BW Example

Type BV

Type BV Example

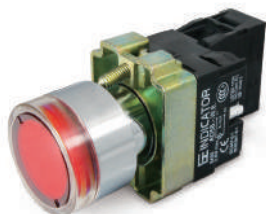
Type BK

Type BK Example

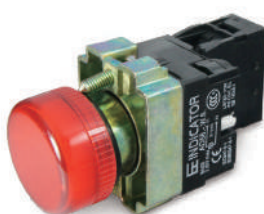


Unit: mm

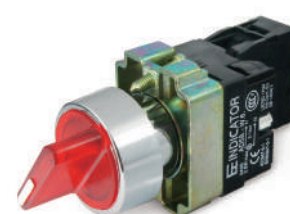
Note



CT-BW4-R + CT-BW06 + CT-A



CT-BV4-R + CT-BW06 + CT-A



CT-BK2-R + CT-BW06 + CT-A

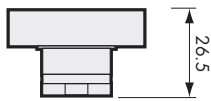
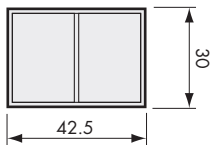
PUSHBUTTON

按鈕開關

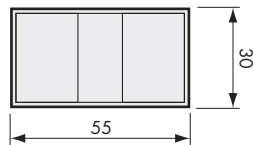


描述 Description	型號 Part No.	顏色 Color	重量 Weight (g)
雙頭開關 Double Headed Pushbutton	CT-BA9124	黑+紅 Black+Red	38
	CT-BA9134	紅+綠 Red+Green	
	CT-BA9224	黑+紅 Black+Red	
	CT-BA9234	紅+綠 Red+Green	
照光雙頭開關 Illuminated Double Headed Pushbutton	CT-BW81254	黑+紅 Black+Red	40
	CT-BW81354	紅+綠 Red+Green	
	CT-BW82254	黑+紅 Black+Red	
	CT-BW82354	紅+綠 Red+Green	

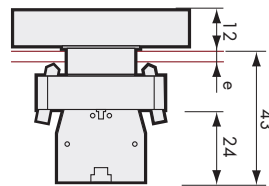
Type BA



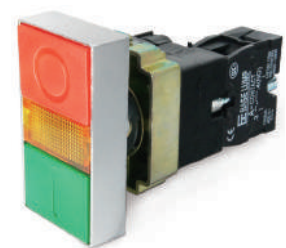
Type BW



Type BW Example



Note



CT-BW82354 + CT-BW06 + CT-BZA

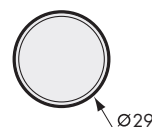
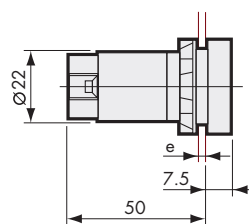
Unit: mm

PUSHBUTTON

按鈕開關



描述 Description	型號 Part No.	顏色 Color	重量 Weight (g)
平頭式按鈕開關 1A1B Flush Pushbutton	CT-EA15-W	白 White	17.7
	CT-EA25-B	黑 Black	
	CT-EA35-G	綠 Green	
	CT-EA45-R	紅 Red	
	CT-EA55-Y	黃 Yellow	
	CT-EA65-L	藍 Blue	



Unit: mm

B TYPE BUTTON BOX

B型按鈕空盒



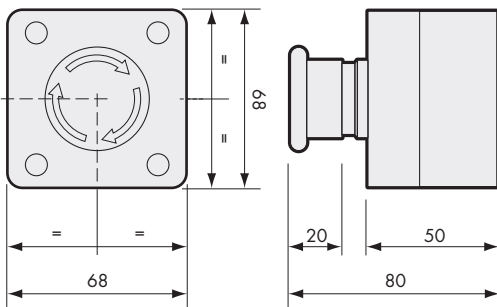
CT-B174



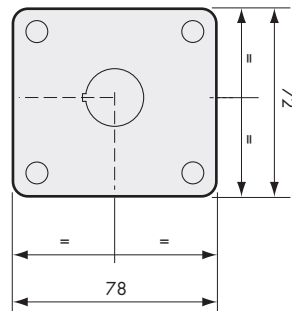
CT-BOX1

型號 Part No.	孔數 Hole Qty	重量 Weight (g)	顏色 Color
CT-B174	1	128.4	黃底黑字(銘牌) ● Black text on Yellow background (Nameplate)
CT-B174-B	1	128.4	黑底白字(銘牌) ● White text on Black background (Nameplate)
CT-BOX1	1	100	白 White ○
CT-BOX2	2	122	
CT-BOX3	3	112.3	
CT-BOX4	4	179	
CT-BOX5	5	251.2	
CT-BOX6	6	250.7	

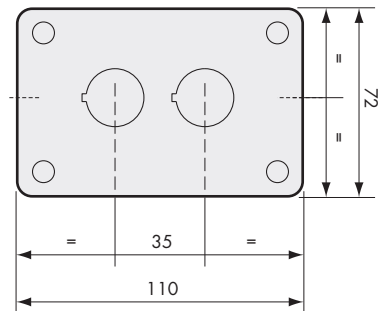
Type B174



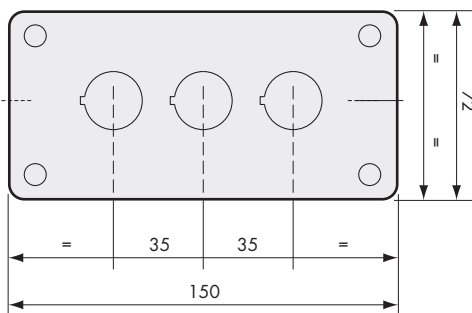
Type BOX1 (H:65mm)



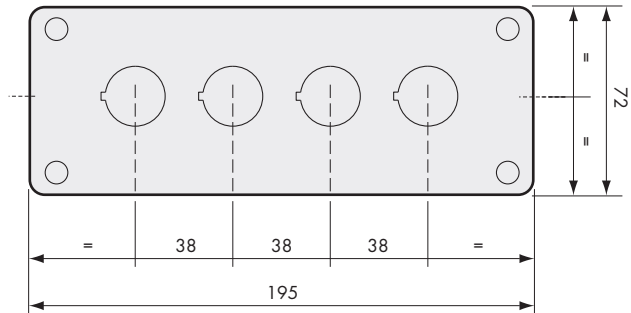
Type BOX2 (H:65mm)



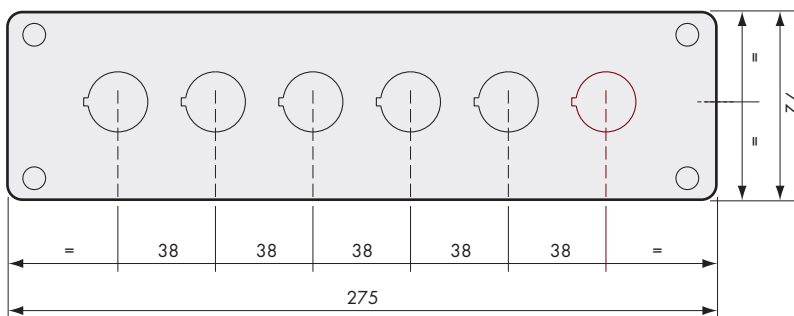
Type BOX3 (H:65mm)



Type BOX4 (H:65mm)



Type BOX5, BOX6 (H:65mm)



Unit: mm

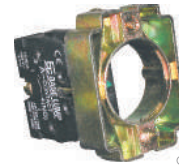
ACCESSORY

開關配件

接點&基座 Contact & Block



CT-A



CT-BZA

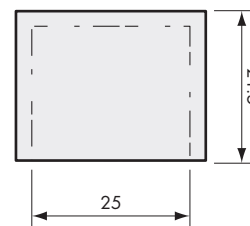
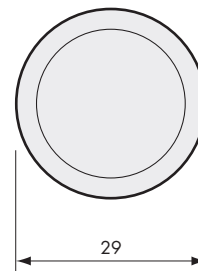


CT-BW06-XV

描述 Description	型號 Part No.	規格 Spec	觸點類型 Type of Contact		配裝按鈕開關型號 Switch Type	重量 Weight (g)
			常開NO	常閉NC		
接點 Contact	CT-A	250VAC 10A	1	-	全部B系列 All B Series	13
	CT-B	250VAC 10A	-	1		
連接中板含接點 Contact Block and Contact	CT-BZA	250VAC 10A	1	-	全部B系列(除了照光系列) All B Series (Without Illuminated)	36
	CT-BZB	250VAC 10A	-	1		
照光基座 Contact Block (Illuminated)	CT-BW06-XV	250VAC			全部B系列(只有照光系列) All B Series (Only Illuminated)	43
	CT-BW07(可變壓)	220/24VAC				

防水罩 Water Resistant Cover

CT-22WP-T



Unit: mm



J 系列

本公司按鈕結構設計符合國家及歐共體CE安全認證要求，按照國際標準IEC947和EN60947及CCC中國GB14048.5-2001生產檢驗。

此系列按鈕由頭部操作部件及機械動作結合的觸點兩大部件組成。其設計巧妙、外型美觀、安裝方便、接觸可靠，並採用防震動機構，使按鈕安裝定位準確，防止鬆動使用戶外面板小型化、集成化，控制要求的最佳選擇。

J SERIES

J Series buttons are manufactured according CE safety certification requirements, meets IEC947, EN60947, CCC China and GB14048.5-2001 standards.

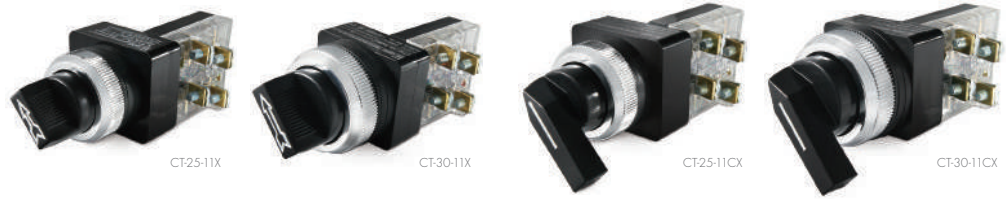
J Series composes by major two essential parts, button head screw kit and base as operating center. Clever design, neat appearance, easy installation, reliable direct finger contacts. Adopting anti-vibration structure, positioning accuracy and preventing loosening, outdoor panel miniaturization and integration, it is the wise choice for the control panel.

主要技術參數 Technical Data

額定容量 Rated Capacity	AC-15 220V/6A 380V/4A 660V/2A DC-13 24V/6A 48V/3A 110V/1A
接觸電阻 Contact Resistance	硬銀觸點 Hard Sliver Contact $\leq 50m\Omega$
最大絕緣電壓 Max. Insulation Voltage	AC 2500V 50Hz, 1min
機械壽命 Mechanical Life	一般鈕 $\geq 2 \times 10^6$ 次, 旋鈕 $\geq 4 \times 10^5$ 次, 鑰匙鈕 $\geq 5 \times 10^3$ 次, 緊急鈕 $\geq 5 \times 10^3$ 次 Normal Button $\geq 2 \times 10^6$ times, Knob $\geq 4 \times 10^5$ times Key Button $\geq 5 \times 10^3$ times, Emergency Button $\geq 5 \times 10^3$ times
電壽命 Electrical Life	$\geq 6 \times 10^5$ 次 $\geq 6 \times 10^5$ times
約定發熱電流 Conventional Thermal Current	Ith 10A
額定絕緣電壓 Rated Insulation Voltage	Ui AC660V
環境溫度 Ambient Temperature	-25°C~+55°C

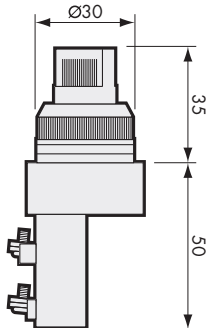
SWITCH

選擇開關

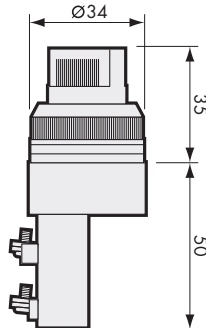


描述 Description	直徑尺寸 Size	切換方式 Switch Way	顏色 Color	型號 Part No.	重量 Weight (g)
短柄選擇開關 Standard Handle Switch	Ø25	兩端定位 ✓	黑 Black ●	CT-25-11X-2P	52
			綠 Green ●	CT-25-11X-2P-G	
			紅 Red ●	CT-25-11X-2P-R	
		三邊定位 ✓	黑 Black ●	CT-25-11X-3P	
			綠 Green ●	CT-25-11X-3P-G	
			紅 Red ●	CT-25-11X-3P-R	
	Ø30	兩端定位 ✓	黑 Black ●	CT-30-11X-2P	56
			綠 Green ●	CT-30-11X-2P-G	
			紅 Red ●	CT-30-11X-2P-R	
		三邊定位 ✓	黑 Black ●	CT-30-11X-3P	
			綠 Green ●	CT-30-11X-3P-G	
			紅 Red ●	CT-30-11X-3P-R	
長柄選擇開關 Long Handle Switch	Ø25	兩端定位 ✓	黑 Black ●	CT-25-11CX-2	51
		三邊定位 ✓	黑 Black ●	CT-25-11CX-3	
	Ø30	兩端定位 ✓	黑 Black ●	CT-30-11CX-2	55
		三邊定位 ✓	黑 Black ●	CT-30-11CX-3	

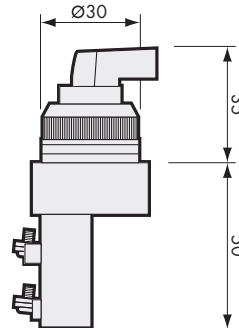
Type 25-11X



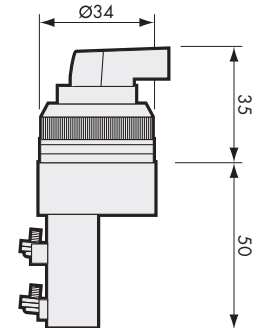
Type 30-11X



Type 25-11CX



Type 30-11CX



Unit: mm

PUSHBUTTON

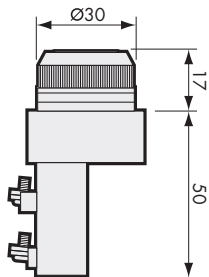
按鈕開關



描述 Description	型號 Part No.		顏色 Color	重量 Weight (g)	
	ø25	ø30		ø25	ø30
平頭式按鈕 Flush Pushbutton	CT-25-11-W	CT-30-11-W	白 White ○	44	47
	CT-25-11-B	CT-30-11-B	黑 Black ●		
	CT-25-11-G	CT-30-11-G	綠 Green ●		
	CT-25-11-R	CT-30-11-R	紅 Red ●		
	CT-25-11-Y	CT-30-11-Y	黃 Yellow ●		
	CT-25-11-L	CT-30-11-L	藍 Blue ●		
凸頭式按鈕 Projecting Pushbutton	CT-25-11T-W	CT-30-11T-W	白 White ○	47	50
	CT-25-11T-B	CT-30-11T-B	黑 Black ●		
	CT-25-11T-G	CT-30-11T-G	綠 Green ●		
	CT-25-11T-R	CT-30-11T-R	紅 Red ●		
	CT-25-11T-Y	CT-30-11T-Y	黃 Yellow ●		
	CT-25-11T-L	CT-30-11T-L	藍 Blue ●		

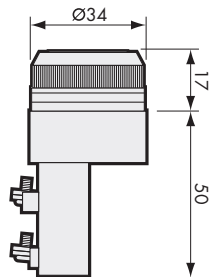
Type 25-11

N/C + N/O



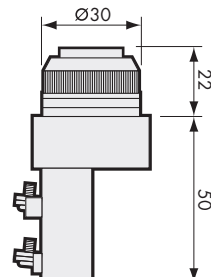
Type 30-11

N/C + N/O



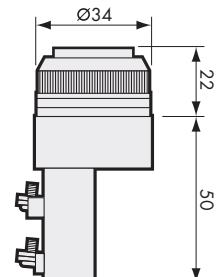
Type 25-11T

N/C + N/O



Type 30-11T

N/C + N/O



Unit: mm

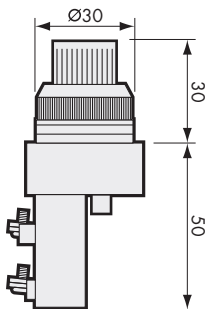
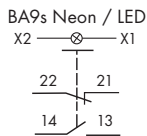
ILLUMINATED PUSHBUTTON

照光按鈕開關

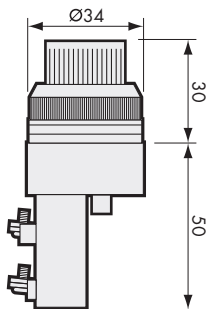
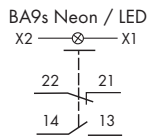


描述 Description	型號 Part No.				顏色 Color	重量 Weight (g)	
	Ø25		Ø30			Ø25	Ø30
直接式照光按鈕 Direct Illuminated Button 安裝E9燈泡 24V, 110V, 220V Direct Pilot Light (Including Neon Bulb) Mounting E9 bulb 24V, 110V, 220V	CT-25-11ND-W		CT-30-11ND-W		白 White ○	56	59
	CT-25-11ND-G		CT-30-11ND-G		綠 Green ●		
	CT-25-11ND-R		CT-30-11ND-R		紅 Red ●		
	CT-25-11ND-Y		CT-30-11ND-Y		黃 Yellow ●		
	CT-25-11ND-L		CT-30-11ND-L		藍 Blue ●		
變壓器式照光按鈕(含燈泡) 通過變壓器 110V, 220V Transformer Illuminated Button By transformer 110V, 220V (With Neon Bulb)	110V	220V	110V	220V	白 White ○	112	115
	CT-25-11BD-1-W	CT-25-11BD-2-W	CT-30-11BD-1-W	CT-30-11BD-2-W	綠 Green ●		
	CT-25-11BD-1-G	CT-25-11BD-2-G	CT-30-11BD-1-G	CT-30-11BD-2-G	紅 Red ●		
	CT-25-11BD-1-R	CT-25-11BD-2-R	CT-30-11BD-1-R	CT-30-11BD-2-R	黃 Yellow ●		
	CT-25-11BD-1-Y	CT-25-11BD-2-Y	CT-30-11BD-1-Y	CT-30-11BD-2-Y	藍 Blue ●		
CT-25-11BD-1-L	CT-25-11BD-2-L	CT-30-11BD-1-L	CT-30-11BD-2-L				

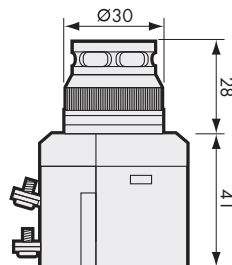
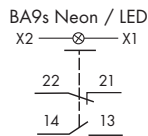
Type 25-11ND/XV



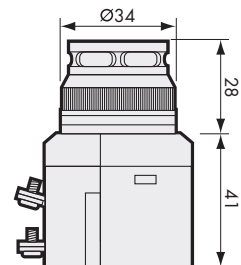
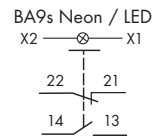
Type 30-11ND/XV



Type 25-BD



Type 30-BD



Unit: mm

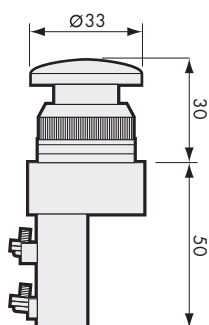
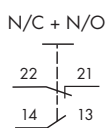
PUSHBUTTON & PILOT LIGHT

按鈕開關 & 指示燈

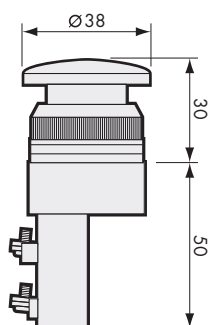
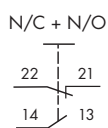


描述 Description	型號 Part No.						顏色 Color	重量 Weight (g)	
	ø25			ø30				ø25	ø30
緊急蘑菇頭按鈕(自動) Emergency Mushroom Pushbutton (Auto)	CT-25-11M			CT-30-11M			紅 Red ●	48	52
	CT-25-11M-G			CT-30-11M-G			綠 Green ●		
	CT-25-11M-Y			CT-30-11M-Y			黃 Yellow ●		
緊急蘑菇頭按鈕(手動) Emergency Mushroom Pushbutton (Manual)	CT-25-11MZ			CT-30-11MZ			紅 Red ●	57	60
	CT-25-11MZ-G			CT-30-11MZ-G			綠 Green ●		
	CT-25-11MZ-Y			CT-30-11MZ-Y			黃 Yellow ●		
直接式指示燈(含霓虹燈泡) 安裝E9燈泡 24V, 110V, 220V Direct Pilot Light (Including Neon Bulb) Mounting E9 bulb 24V, 110V, 220V	24V	110V	220V	24V	110V	220V	白 White ○	18	25
	CT-PL25-24-W	CT-PL25-1-W	CT-PL25-2-W	CT-PL30-24-W	CT-PL30-1-W	CT-PL30-2-W	綠 Green ●		
	CT-PL25-24-G	CT-PL25-1-G	CT-PL25-2-G	CT-PL30-24-G	CT-PL30-1-G	CT-PL30-2-G	紅 Red ●		
	CT-PL25-24-R	CT-PL25-1-R	CT-PL25-2-R	CT-PL30-24-R	CT-PL30-1-R	CT-PL30-2-R	黃 Yellow ●		
	CT-PL25-24-Y	CT-PL25-1-Y	CT-PL25-2-Y	CT-PL30-24-Y	CT-PL30-1-Y	CT-PL30-2-Y	藍 Blue ●		
	CT-PL25-24-L	CT-PL25-1-L	CT-PL25-2-L	CT-PL30-24-L	CT-PL30-1-L	CT-PL30-2-L			
變壓器式指示燈(含霓虹燈泡) 通過變壓器110V, 220V Transformer Illuminated Pilot Light By transformer 110V, 220V (Including Neon Bulb)	110V	220V		110V	220V		白 White ○	92	105
	CT-SL25-1-W	CT-SL25-1-W		CT-SL30-1-W	CT-SL30-2-W		綠 Green ●		
	CT-SL25-1-G	CT-SL25-1-G		CT-SL30-1-G	CT-SL30-2-G		紅 Red ●		
	CT-SL25-1-R	CT-SL25-1-R		CT-SL30-1-R	CT-SL30-2-R		黃 Yellow ●		
	CT-SL25-1-Y	CT-SL25-1-Y		CT-SL30-1-Y	CT-SL30-2-Y		藍 Blue ●		
	CT-SL25-1-L	CT-SL25-1-L		CT-SL30-1-L	CT-SL30-2-L				

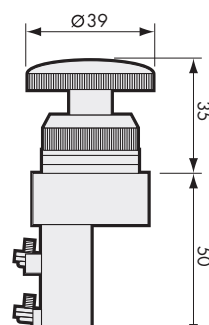
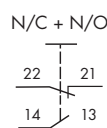
Type 25-11M



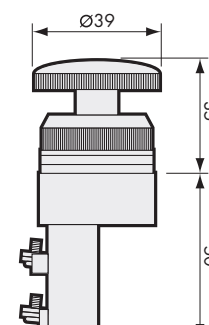
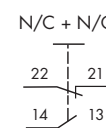
Type 30-11M



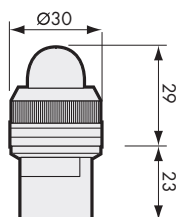
Type 25-11MZ



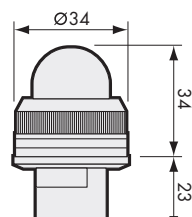
Type 30-11MZ



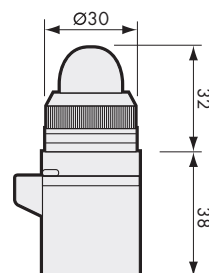
Type PL25



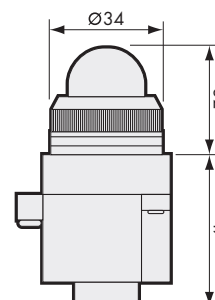
Type PL30



Type SL25



Type SL30



Unit: mm

ACCESSORY

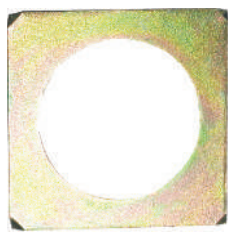
按鈕開關配件

22mm轉30mm轉接環 Transfer Ring from 22mm to 30mm

材質 工業塑膠, 鐵 Material: Industrial Plastic, Metal

重量 Weight : 3.1g(CT-30MM-I), 2.9g(CT-30MM)

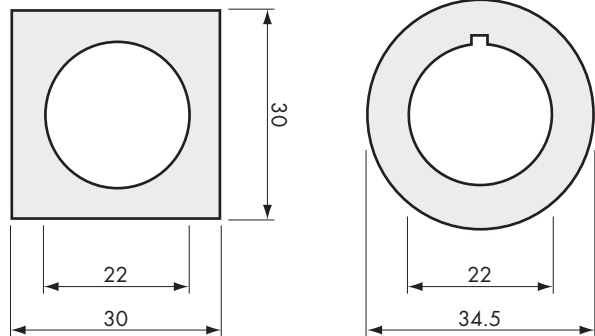
CT-30MM



CT-30MM-I



CT-30MM



Unit: mm

裝卸工具 Handling tool

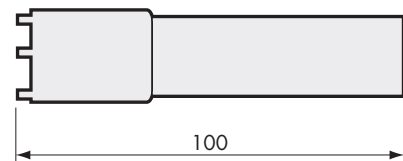
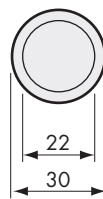
材質 工業塑膠, 鐵 Material: Industrial Plastic, Metal

重量 Weight : 179g(CT-TOOL), 7.7g(CT-10/12)

CT-TOOL

適用於固定拆卸22mm指示燈的固定環

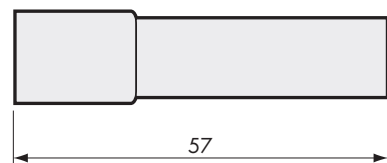
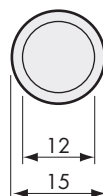
For removing the retaining ring of 22mm pilot light



CT-10/12

適用於固定9~12mm的燈泡

For fixing 9~12mm bulb



Unit: mm



警報器

警報器有分發光警報式和警示式，發光警報式(帶警示燈)均採用高亮度LED芯片為光源，顏色鮮豔醒目，信號標示性強。警示式(不帶警示燈)。電壓等級齊全可選擇性強，接線螺絲處有安全蓋保護，使接線安全可靠。結構緊湊便於安裝拆卸。內部零件高度電子及集成化，散熱空間大、重量輕、耗能低、體積小、壽命長、抗震性強，電性能及機械性能可靠。

SIREN

Siren is classified into luminous and warning types. Luminous(with indicating lights) equips with high brightness LED chip, eye-catching and distinguishable colors, strong indicating signal. Warning type of siren(without indicating lights) are offered with wide-range choices of different voltage, wiring screws are well-protected to ensure users safety, compact structure for easy installation and removal purpose. Internal components are electronical integrated which brings more space for heat dissipation, light weight, lower power consumption, compact size, longer mechanical life, anti-shock and high reliability.

MOTOR SIREN

馬達警報器

材質 金屬 Material: Metal

外徑 Outer Diameter: 80/100mm

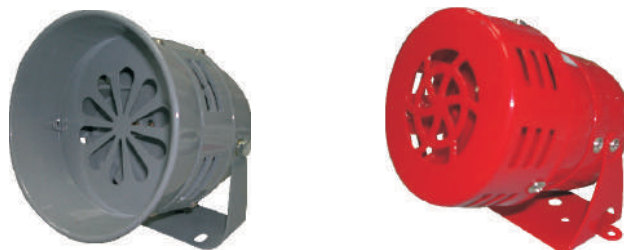
功率 Power: 40W

絕緣阻抗 Insulation Resistance: 100MΩ (at 500 VDC)

防護等級 IP Ratings: IP44

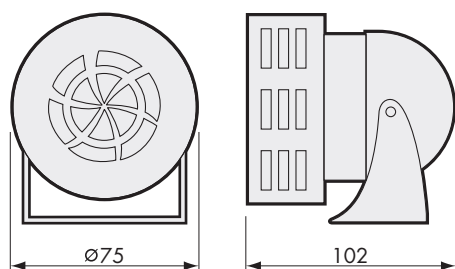
耐壓 Withstanding Voltage: 500VAC, 50/60Hz in 1min

連續使用時間 Operating Time: ≤ 10min

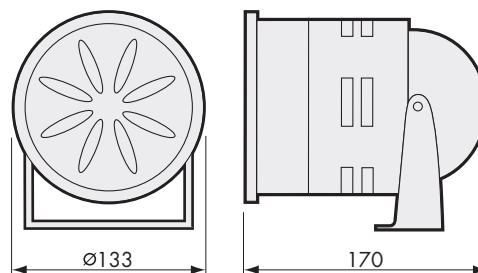


型號 Part No.	電壓 Voltage	材質 Material	重量 Weight (g)	頻率 Hz
CT-MS190-24	DC24V	鐵 Iron	347.5	60
CT-MS190-1	AC110V			
CT-MS190-2	AC220V			
CT-MS290-P-2	AC220V	塑料 PVC	600	
CT-MS290-A-2	AC220V	鋁合金 Alumiini Alloy	800	

Type MS190



Type MS290



BUZZER

蜂鳴器

額定工作電流 Operating Current: 24V/15mA, 110V/18mA, 220V/8mA

音量 Volume: 斷續音Staccato, ≥80db/10cm

使用頻率 Frequency: AC50Hz~60Hz

絕緣電阻 Insulation Resistance: ≥2MΩ

防護等級 IP Ratings: IP40

耐壓 Withstanding Voltage: 2.5KV/1min, 允許電壓波動±10%, Voltage fluctuation range ± 10%

使用環境溫度 Ambient Temperature: -25°C~+50°C



CT-BZ1

CT-BZ-N1

直徑尺寸 Diameter	特性 Feature	型號 Part No.	電壓 Voltage	重量 Weight (g)
ø22	不帶燈 Without LED indicator	CT-BZ-24	DC24V	21
		CT-BZ-1	AC110V	
		CT-BZ-2	AC220V	
	帶LED燈 With LED indicator	CT-BZ-N-24	DC24V	24
		CT-BZ-N-1	AC110V	
		CT-BZ-N-2	AC220V	

電子消耗功率 Electronic Power Consumption: DC 25ma

最大功率 Maximum power: 1W(PEAK)

音量 Volume: ≥60 dB/10cm

防護等級 IP Ratings: IP40

耐壓 Withstanding Voltage: 1000VAC/1min

使用環境溫度 Ambient Temperature: -25°C~+50°C

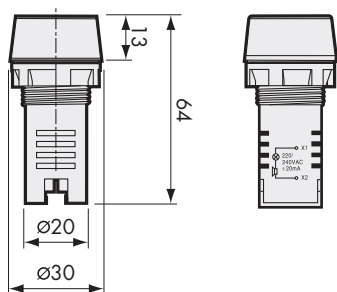


CT-SFM25-1

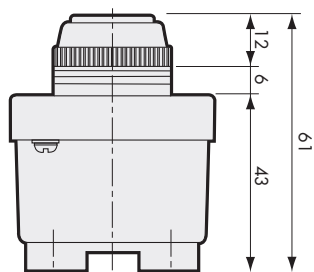
CT-SFM30-1

直徑尺寸 Diameter	型號 Part No.	電壓 Voltage	重量 Weight (g)
ø25	CT-SFM25-24	DC24V	50
	CT-SFM25-1	AC110V	
	CT-SFM25-2	AC220V	
ø30	CT-SFM30-24	DC24V	50.6
	CT-SFM30-1	AC110V	
	CT-SFM30-2	AC220V	

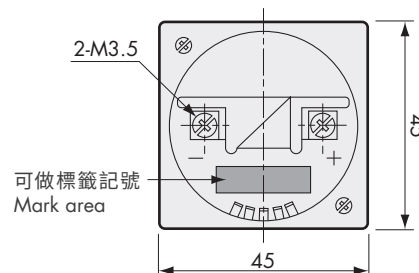
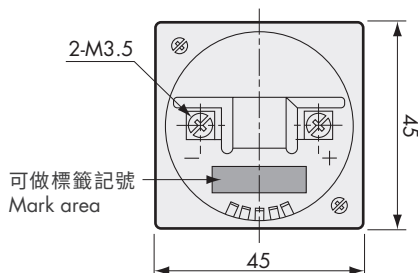
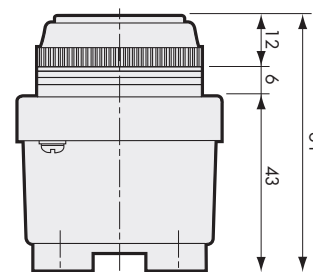
Type BZ & BZ-N



Type SFM25



Type SFM30



Unit: mm



CHIAO TEIN ENTERPRISES CO. LTD

動力押扣開關

3P/15A/2.2KW TB型押扣開關為鐵殼經過烤塑。銀合金觸點材質，緩動型雙斷開的橋式接觸結構。可以直接控制小型三相馬達，廣泛應用在產業機械設備中。押扣開關適用於交流50Hz或60Hz、電壓至380V，額定工作電流至15A的電力系統中直接通斷單台電動機。

TP系列押扣開關為防護式結構，用熱固性塑料製成絕緣外殼，在基座上有用螺釘固定的鉚有銀觸點的靜觸頭。動觸頭為鉚有銀觸點的銅基合金做成的橋形觸頭。借助彈簧的作用，在啟動、停止按鈕下完成閉合和分離的動作。其操作按鈕、支持件及三組動、靜觸頭均由支架和絕緣基座固定在外殼上，引出線處有橡膠密封圈。

MOTIVE SWITCH

Contacts of TP series motive switch are made of silver alloy, slow motioning double-break contact structure of the bridge, for which can directly control a small three-phase motor, widely applied in industrial machineries and equipments. Motive Switch may directly cut off single motor which tolerate AC 50Hz or 60Hz, voltage up to 380V rated current up to 15A power system.

The protection structure is adopted in TP Motive switch series, insulated cover is shielded by thermosetting polymer, fixed silver-coated contacts and firmly screwed rivets are fixed on the switch base. Moving contacts are composed by rivets and silver-contacts copper-based alloy into bridge-shaped moving contacts. By the spring action to complete the closure and separation movements from start and stop. Operation buttons, supporting components and three dynamic and fixed contacts are rigidly mounted on insulated base, lead connections are well-sealed by rubber.

METALLIC COVER SERIES

金屬外殼系列



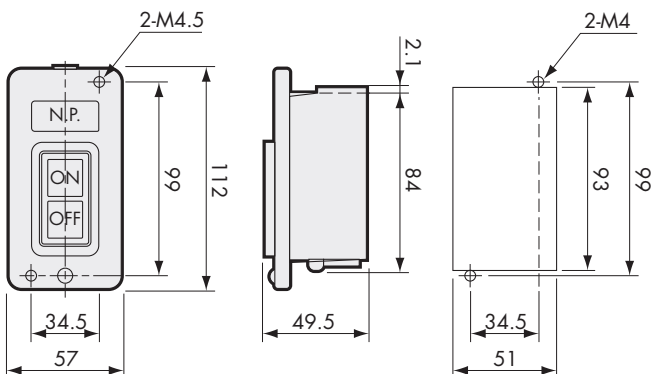
CT-TBY330



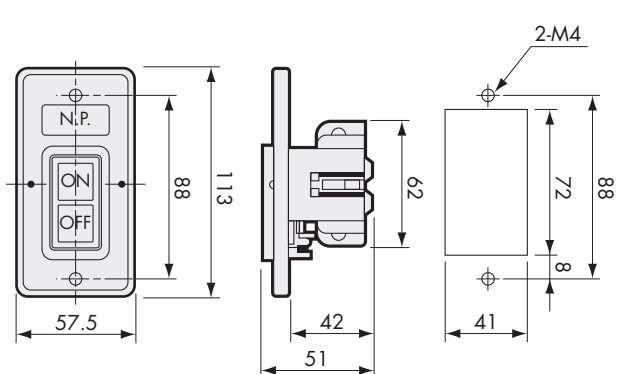
CT-TBYS315

安裝形式 Mounting Type	型號 Part No.	規格 Spec.	接線端子 Connection Terminal	重量 Weight (g)
嵌入安裝 Flush Mounting	CT-TBY315	3 ϕ 15A 2.2KW	M4	180.9
	CT-TBY330	3 ϕ 30A 3.7KW		170.4
	CT-TBYS315	3 ϕ 15A 2.2KW	M3.5	131
	CT-TBYS330	3 ϕ 30A 3.7KW	M4	130.4

Type TBY



Type TBYS



METALLIC COVER SERIES

金屬外殼系列



CT-TB310



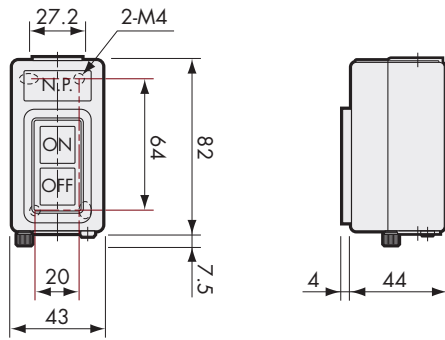
CT-TB315



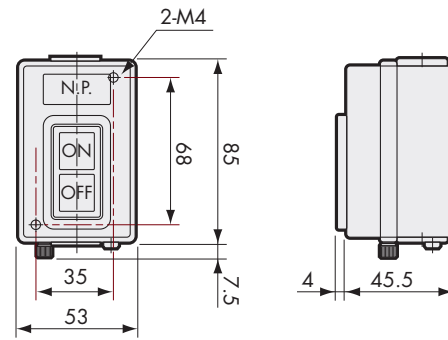
CT-TB330

安裝形式 Mounting Type	型號 Part No.	規格 Spec.	接線端子 Connection Terminal	重量 Weight (g)
表面安裝 Surface Mounting	CT-TB310	3 ϕ 10A 1.5KW	M3.5	112.3
	CT-TB315	3 ϕ 15A 2.2KW	M4	139
	CT-TB330	3 ϕ 30A 3.7W	M5	219.2

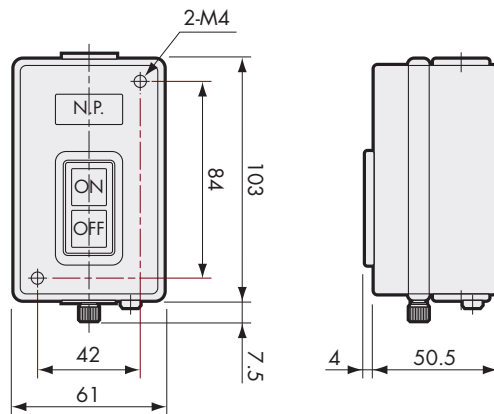
Type TB310



Type TB315



Type TB330



Unit: mm

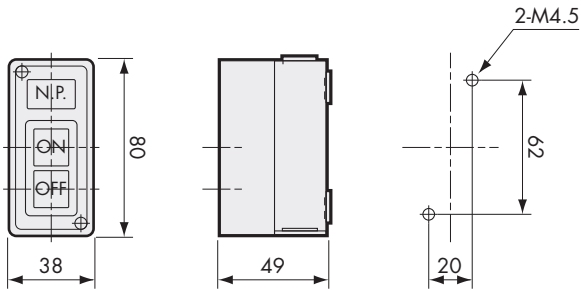
PLASTIC COVER SERIES

強化塑膠外殼系列

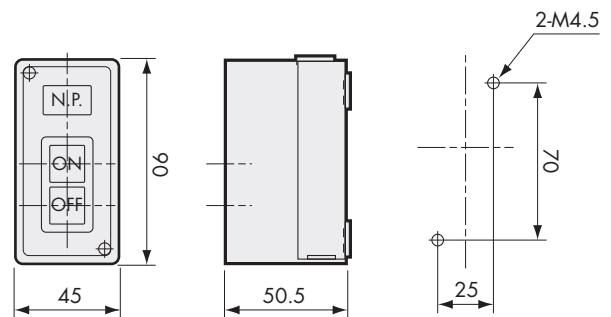


安裝形式 Mounting Type	型號 Part No.	規格 Spec.	接線端子 Connection Terminal	重量 Weight (g)
表面安裝 Surface Mounting	CT-TBP315	3 ϕ 15A 2.2KW	M4	80.9
	CT-TBP330	3 ϕ 30A 3.7KW		111.1
	CT-TPB-2	3A 250VAC	M4	90.6
	CT-TPB-3	3A 250VAC		131.3

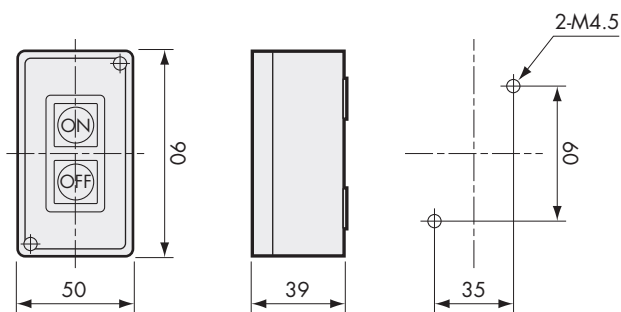
Type TBP315



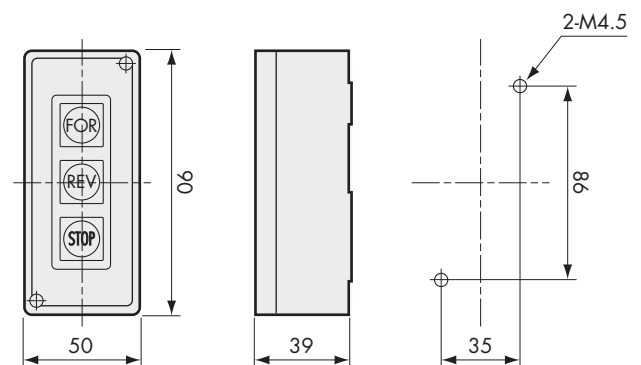
Type TBP330



Type TPB-2



Type TPB-3



Unit: mm

搖頭開關

規格 Specification

電流Current: 15A
 切換方式Switching mode: 固定式Fixed type
 接線端子Terminal Block: 螺絲端子Screw terminal
 固定孔徑 Aperture: \varnothing 12mm

額定值 Rated Value

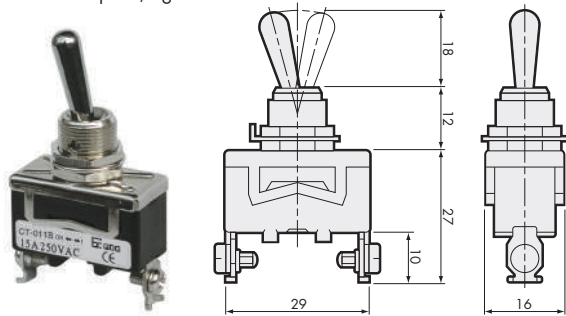
負載 Load	AC負載 AC Load	DC負載 DC Load
電阻性負載 Resistive Load	15A 250V 20A 125V	0.5A 250V 0.9A 125V
電感性負載 Inductive Load	15A 250V 20A 125V	0.3A 250V 0.5A 125V 15A
燈泡負載 Bulb Load	400W 125A 800W 250V	-
馬達負載 Motor Load	400W 125V(single phase) 750W 250V(three phase)	-

TOGGLE SWITCH

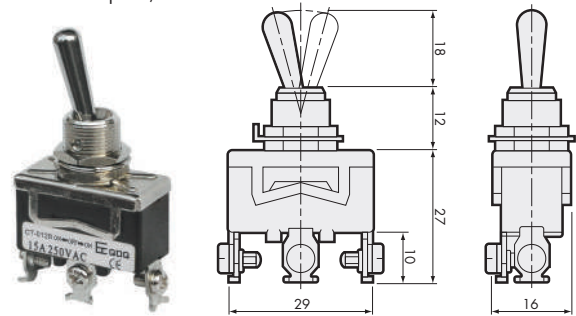
特性 Characteristic

接點電阻 Contact Resistance	15m Ω 以下 (初期) Under 15m Ω (Initial)
絕緣電阻 Insulation Resistance	100m Ω 以上(於500VDC以下) More than 100m Ω (under 500VDC)
電界強度 Field Intensity	2,000VAC, 50/60Hz持續1分鐘 2,000VAC, 50/60Hz for 1 min
振動 Vibration	10至55Hz, 1.5mm雙振幅 10~55Hz, 1.5mm(DA)
周圍溫度 Ambient Temperature	-10~+80 $^{\circ}$ C (但不結冰No icing)
濕度 Humidity	85%以下, under 85%
使用壽命 Life	機械:50萬次以上, 電氣: 10萬次以上 Mechanically: more than 500,000 times Electrically: more than 100,000 times

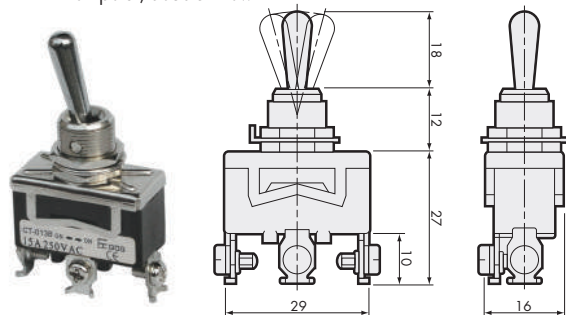
CT-011B 單極單投ON-OFF
Unipolar, signal-throw



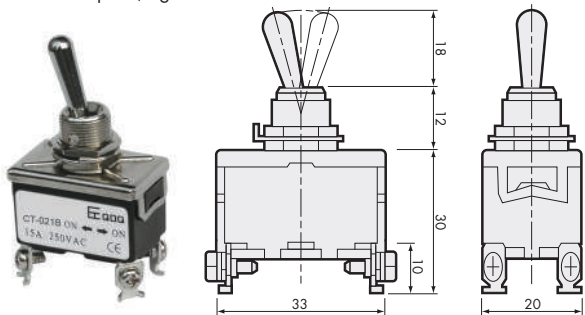
CT-012B 單極雙投ON-ON
Unipolar, double-throw



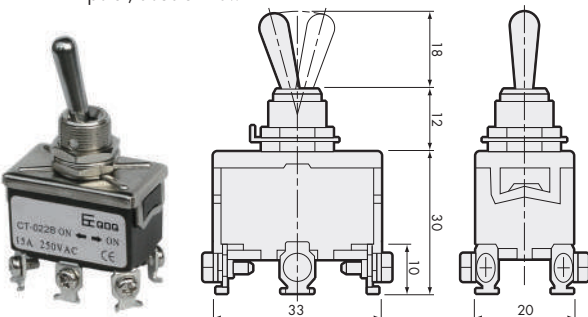
CT-013B 單極雙投(中間)ON-OFF-ON
Unipolar, double-throw



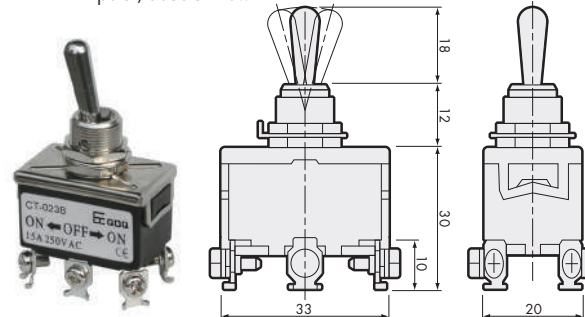
CT-021B 雙極單投ON-OFF
Bipolar, signal-throw



CT-022B 雙極雙投ON-ON
Bipolar, double-throw



CT-023B 雙極雙投(中間)ON-OFF-ON
Bipolar, double-throw



Unit: mm



CHIAO TEIN ENTERPRISES CO. LTD

CT-1系列微動開關

- 引動器種類多，且有動作位置可調整之設計(如CT-1701)
- 高開閉容量(15A)，高精確度，操作速度範圍廣泛
- 本系列每一型式具有焊接端子，螺絲端子與快速端子可供選擇，型號後面加A為焊接端子，加C為快速端子、空白為螺絲端子

CT-1 MICRO SWITCH

- Variety of actuator choices, action position is adjustable (CT-1701)
- High switching capacity(15A), high accuracy, wide range of operating speed
- Every model of CT-1 Series offer optional solder terminal, screw terminal and stripping quick terminal. By adding A is solder terminal(CT-1701A), C represents stripping quick terminal(CT-1701C) and blank means screw terminal(CT-1701).

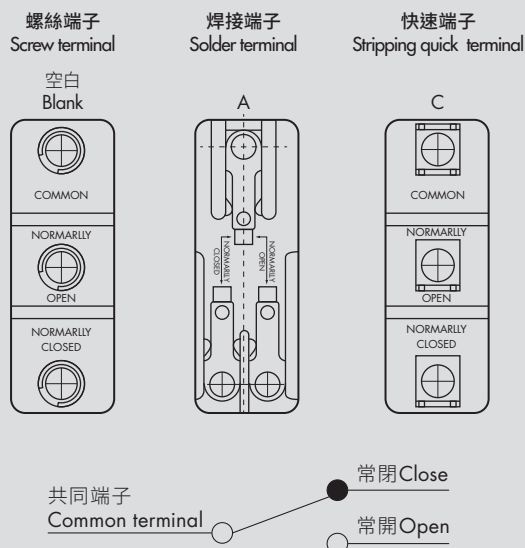
額定值 Rated Value

額定電壓 Voltage	非電感性負載 Non Inductive Load			電感性負載(A) Inductive Load			突入電流(A) Current	
	電阻性負載 Resistive Load	燈泡負載 Bulb Load		電感性負載 Inductive Load	馬達負載 Motor Load		NC	NO
125VAC	15	3	1.5	15	5	2.5	30 以下	15 以下
250VAC	15	2.5	1.25	15	3	1.5		
480VAC	3	1.5	0.75	2.5	1.5	0.75		
8VDC	15	3	1.5	15	5	2.5		
14VDC	15	3	1.5	10	5	2.5		
30VDC	6(2)	3	1.5	5	5	2.5		
125VDC	0.4	0.4	0.4	0.05	0.05	0.05		
250VDC	0.2	0.2	0.2	0.03	0.03	0.03		

特性 Characteristic

操作速度 Operating Speed	0.01mm~1m/sec(鎖住塞型) 0.01mm~1m/sec(Lock type)
動作頻率 Action Frequency	機械: 240次/分, 電氣: 20次/分 mechanically: 240times/min, Electrically: 20times/min
接點電阻 Contact Resistance	15mΩ以下(初期) Under 15mΩ (Initial)
絕緣電阻 Insulation Resistance	100mΩ以上(於500VDC以下) More than 100mΩ (under 500VDC)
耐電壓 Withstanding Voltage	非連續端子間1,000VAC, 50/60Hz持續1分鐘, 載流零件與接地間2,000VAC, 50/60Hz持續1分鐘 Between terminals: 1,000VAC, 50/60Hz for 1 min. Between Load current and earthing system: 2,000VAC, 50/60Hz for 1 min
振動 Vibration	10至20Hz: 1.5mm 變振幅誤動作耐久: 10至55Hz 10~20Hz: 1.5mm pairs swing action: 10~55Hz
衝擊 Impact	機械耐久: 1,000m/sec ² (約100G'S) 誤動作耐久: 300m/sec ² (約30G'S) Machine Durability: 1,000m/sec ² (around 100G'S) Misoperating: 300m/sec ² (around 30G'S)
周圍溫度 Ambient Temperature	泛用型: -10~+80°C, 密封型: -15~+80°C (但不結冰) Common type: -10~+80°C, Sealed type: -15~+80°C (No icing)
濕度 Humidity	泛用型: 85%RH以上, 密封型: 95%RH Common type: 85%RH, Sealed type: 95%RH
使用壽命 Life	機械: 1千萬次以上, 電氣: 50萬次以上 Mechanically: more than 10,000,000 times Electrically: more than 500,000 times
重量 Weight	約22~58g, around 22~58g

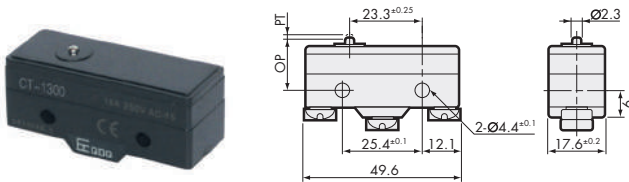
接點型式 Contact



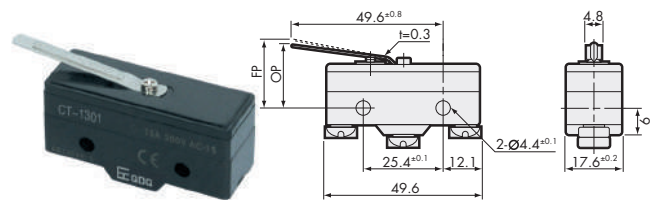
動作特性 Action Characteristic

型號Part No.	CT-1300	CT-1301	CT-1303	CT-1305	CT-1306	CT-1307	CT-1308	CT-1309	CT-1701	CT-1702	CT-1703	CT-1704	CT-1705	CT-1743
OF最大(Max)	350g	300g	300g	350g	350g	350g	350g	350g	70g	100g	160g	160g	10g	160g
RF最小(Min)	1114g	50g	50g	114g	114g	114g	114g	114g	14g	28g	22g	42g	3g	42g
PT最大(Max)	0.4mm	4mm	4mm	0.4mm	0.4mm	0.4mm	0.4mm	0.4mm	10mm	5mm	7.1mm	2.7mm	20mm	2.7mm
OT最小(Min)	0.13mm	1.6mm	1.6mm	1.6mm	1.6mm	5.5mm	3.58mm	3.58mm	5.6mm	2mm	4mm	2.4mm	5.6mm	2.4mm
MD最大(Max)	0.05mm	1.3mm	1.3mm	0.05mm	0.05mm	0.05mm	0.05mm	0.05mm	1.27mm	1mm	1.02mm	0.5mm	3mm	0.5mm
FP最大(Max)	-	20.6mm	31.8mm	-	-	-	-	-	28.2mm	24.8mm	36.5mm	32.5mm	-	43.6mm
OP(mm)	15.9±0.4	17.4±0.8	28.6±0.8	28.2±0.5	21.5±0.5	21.8±0.8	33.4±1.2	33.4±1.2	19±0.8	19±0.4	30.2±0.8	30.2±0.4	19±0.4	43.1±0.8

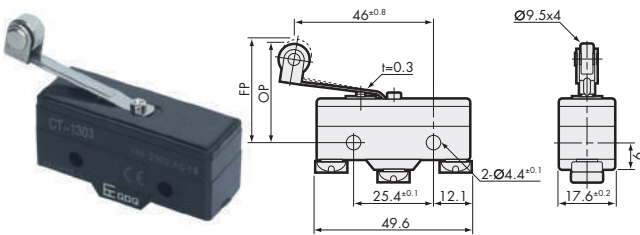
CT-1300



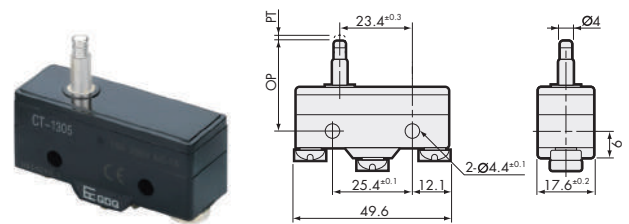
CT-1301



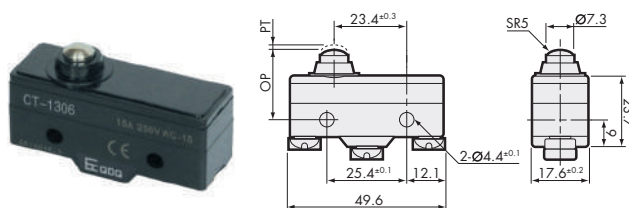
CT-1303



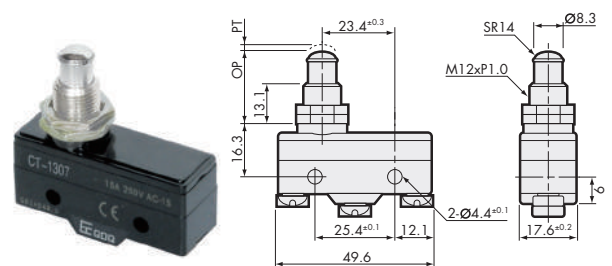
CT-1305



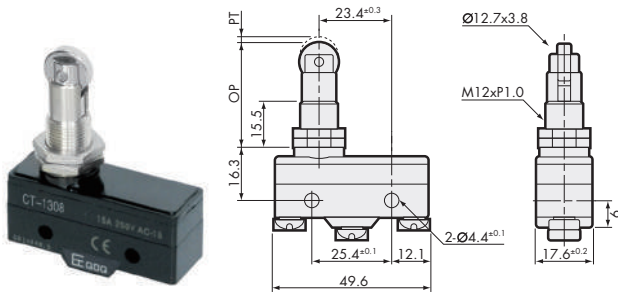
CT-1306



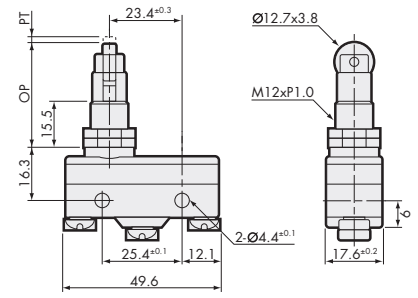
CT-1307



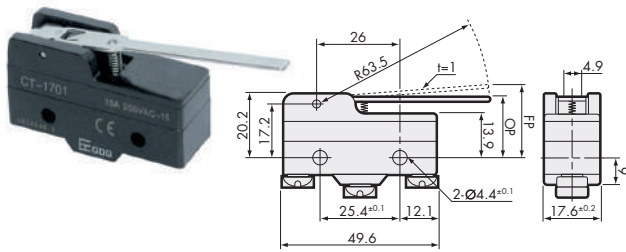
CT-1308



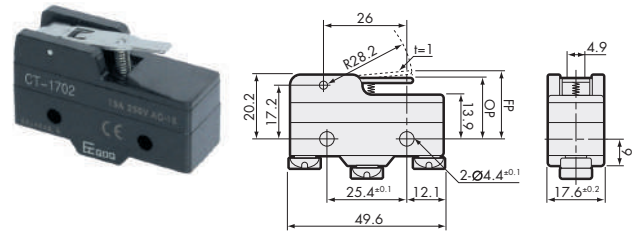
CT-1309



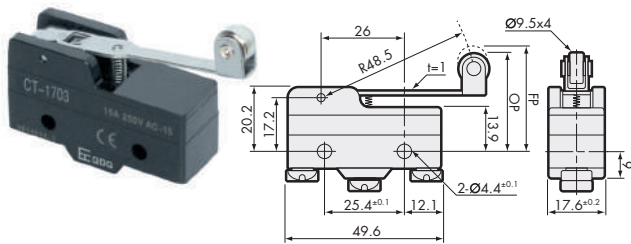
CT-1701



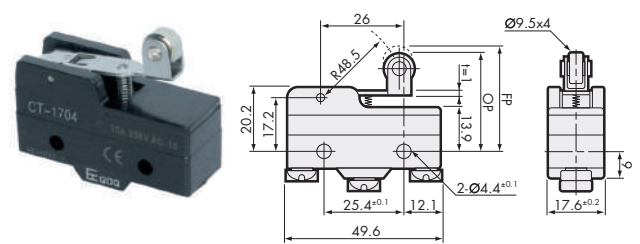
CT-1702



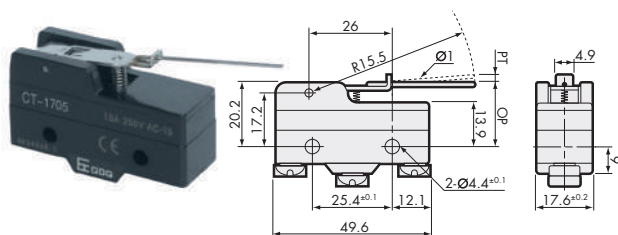
CT-1703



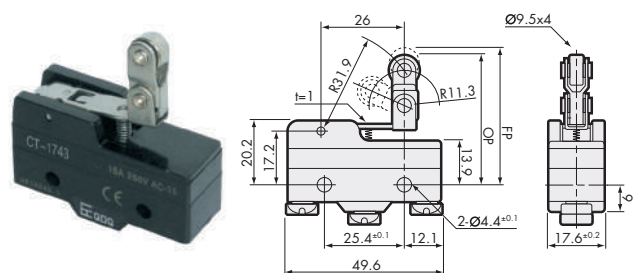
CT-1704



CT-1705



CT-1743





CT-2防水型行程開關

- 雙迴路型限動開關，用途廣泛
- 具堅固之一體鑄造鋁合金外殼
- 高機械強度
- 具耐油，防水和防塵結構

CT-2 LIMIT SWITCH

- DPDS limit switch for multiple applications
- Rugged aluminum alloy diecast housing
- High mechanical strength
- Oil resistance, waterproof and dustproof structure

額定值 Rated Value

額定電壓 Voltage	非電感性負載 Non Inductive Load		電感性負載(A) Inductive Load			
	電阻性負載 Resistive Load	燈泡負載 Bulb Load	電感性負載 Inductive Load		馬達負載 Motor Load	
	NC	NO	NC	NO	NC	NO
125VAC 250VAC	5(0.1) 3	1.5 1	0.7 0.5	3 2	2.5 1.5	1.3 0.8
8VDC	5(0.1)	2	5	4	3	
14VDC	5(0.1)	2	4	4	3	
30VDC	4(0.1)	2	3	3	3	
125VDC	0.4	0.05	0.4	0.4	0.05	
250VDC	0.2	0.03	0.2	0.2	0.03	

額定值 Rated Value

型號Part No.	CT-2101	CT-2102	CT-2103	CT-2104
OF最大(Max)	1200gf (11.77N)	1200gf (11.77N)	1200gf (11.77N)	580gf (5.69N)
RF最小(Min)	450g (4.41N)	450g (4.41N)	450g (4.41N)	150g (1.47N)
PT最大(Max)	1.8mm	1.8mm	1.8mm	25
OT最小(Min)	3mm	3mm	3mm	40
MD最大(Max)	0.2mm	0.2mm	0.2mm	3
OP	15.7±1mm	28.5±1mm	28.5±1mm	-

型號Part No.	CT-2110	CT-2111	CT-2112	CT-2113	CT-2169
OF最大(Max)	1200gf (11.77N)	1800gf (17.65N)	1800gf (17.65N)	1800gf (17.65N)	150gf (1.47N)
RF最小(Min)	450g (4.41N)	450g (4.41N)	450g (4.41N)	450g (4.41N)	-
PT最大(Max)	1.8mm	1.8mm	1.8mm	1.8mm	15°
OT最小(Min)	3mm	3mm	3mm	3mm	-
MD最大(Max)	0.2mm	0.2mm	0.2mm	0.2mm	-
OP	28.5±1mm	24.9±1mm	34.3±1mm	34.3±1mm	-

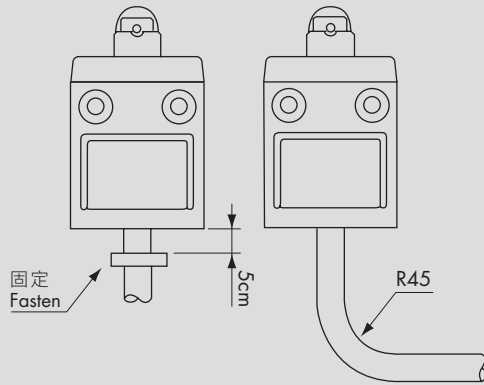
特性 Characteristic

額定值 Rating	5A 125V, 3A 250VAC
操作速度 Operating Speed	1mm~1m/sec
動作頻率 Action Frequency	機械: 120次/分, 電氣: 30次/分 Mechanically: 120times/min, Electrically: 30times/min
接點電阻 Contact Resistance	15mΩ以下(初期), 15mΩ max. (Initial)
絕緣電阻 Insulation Resistance	100mΩ以上(於500VDC以下) 100mΩ min. (at 500VDC)
非連續端子間	1,000VAC, 50/60Hz持續1分鐘 1000VAC, 50/60Hz for 1 min between terminals
端子焊接地之間	1500VAC, 50/60Hz持續1分鐘 1500VAC, 50/60Hz for 1 min between current-carrying and earthing system
端子和無載電流金屬零件間	1500VAC, 50/60Hz持續1分鐘 1500VAC, 50/60Hz for 1 min between terminal and non-load current
誤動作耐久	10-55Hz, 1.5mm雙振幅 Misoperating: 10 to 55Hz, 1.5mm(DA)
機械耐久	1,000m/sec ² (約100G'S)
誤動作耐久	500m/sec ² (約50G'S)
Machine Durability	1,000m/sec ² (around 100G'S)
Misoperating	500m/sec ² (around 50G'S)
周圍溫度 Ambient Temperature	-10~+70°C
濕度 Humidity	<95%RH
使用壽命 Life	機械: 10,000,000次以上, 電氣: 200,000次以上 Mechanically: more than 10,000,000 times Electrically: more than 200,000 times
重量 Weight	約360g(電纜線長3m) 約540g(電纜線長5m) Approx.360(cable length 3m), Approx.540g(cable length 5m)
防護等級 IP Ratings	IEC: IP67

配線注意事項 Fastening of the switch cable

配線須注意於離開關5cm處須加以固定，而電線之彎曲半徑不得小於R45cm，注意勿傷及電線絕緣體，以避免電線漏電等情形。

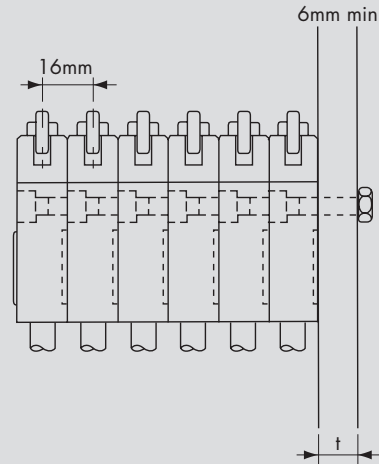
The switch bodies are filled with resin for sealing purposes. To avoid stressing the cable and switch body, fasten the switch at 5cm or farther away from the switch body, should the wire be bent, the bending radius shall be at least 45mm.



多連接使用的場合 Switch bank mounting

需連接多組使用的場合時，最多可連接6組開關，連接時，開關表面之凹凸槽相互配合，另板厚t之尺寸應在6mm以上為適當。

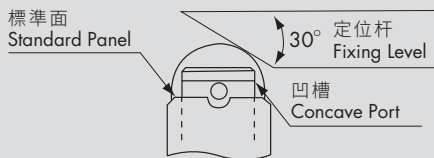
A maximum of 6 switches may be mounted together as a switch bank. During the installation, the convex part of the switch back. The mounting panel shall be 6mm or thicker.



安裝注意事項 Installation

凸輪與定位杆等形狀，頻率及動作後移動等，將會影響使用壽命與精準度，因此建議定位杆之角度約30°，而定位杆之表面粗糙度以上，硬度HV400-500，在設定開關之行程時，凹溝必須高於標準面之上為最適當之位置。

The service life and accuracy of switches will be effected by the shape of actuator operation frequency & over travel. So the angular of the fixing level should be about 30°, the surface finish of the fixing level should be over, the concave part should be above the standard panel.

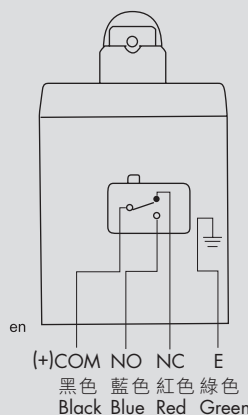


請依下表所示選擇適當之旋轉扭力，施行鎖緊作業，以避免傷害開關本體。

Recommended tightening torque according to the following form.

編號No.	螺絲尺寸 Screw Type	最適當之旋轉扭力 Torque
1	M5六角孔螺柱之固定螺絲 M5 fastening screws	43.4~52lb.in (50~60kgf.cm)
2	頭部M3.5之安裝螺絲 M3.5 installing screws	6.9~7.9lb.in (8~9kgf.cm)

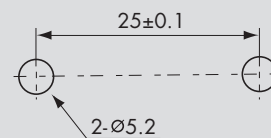
連接形式 Contact types



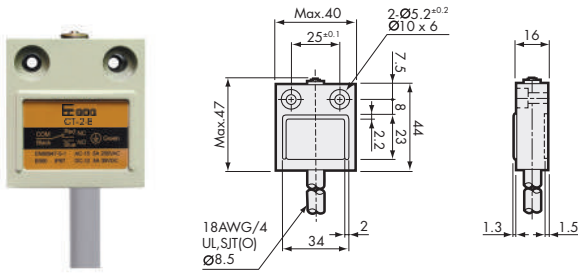
裝配孔之尺寸 Mounting holes

安裝板發生翹曲或凸起之狀態，會造成安裝上之不良，安裝板請經篩選確認後，再予以使用。

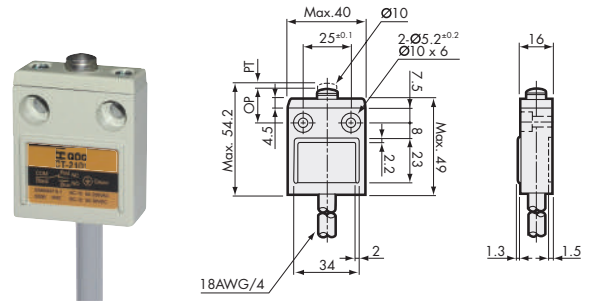
Mount the switch body to a rigid mounting panel using two M5 screws.



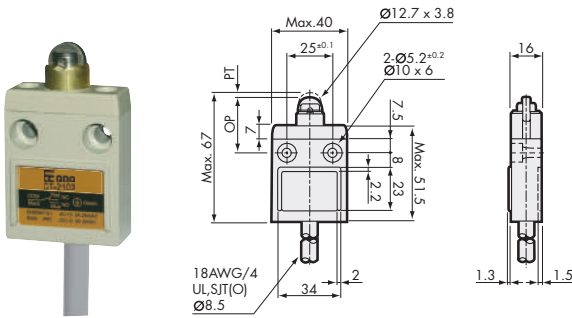
CT-2-B



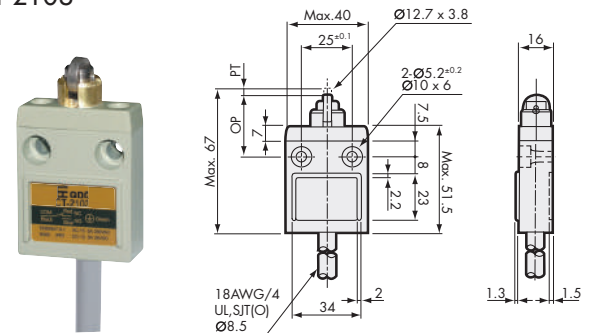
CT-2101



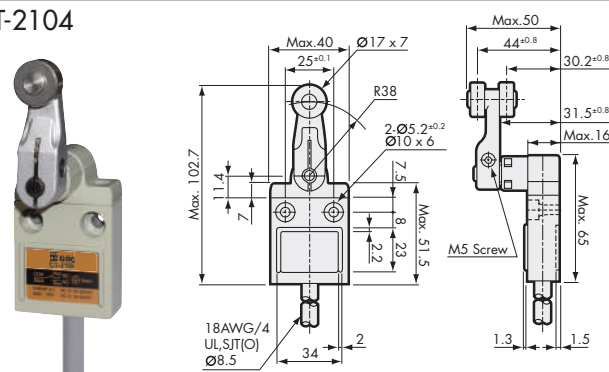
CT-2102



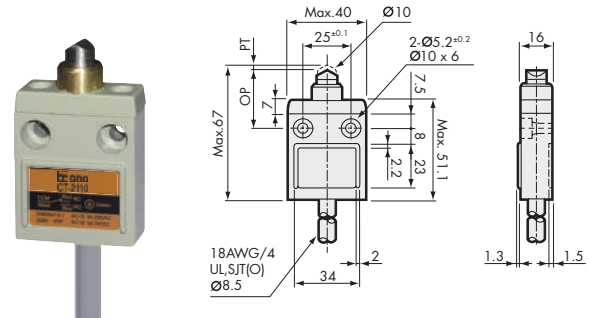
CT-2103



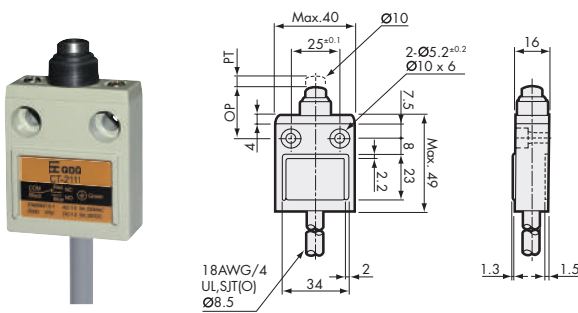
CT-2104



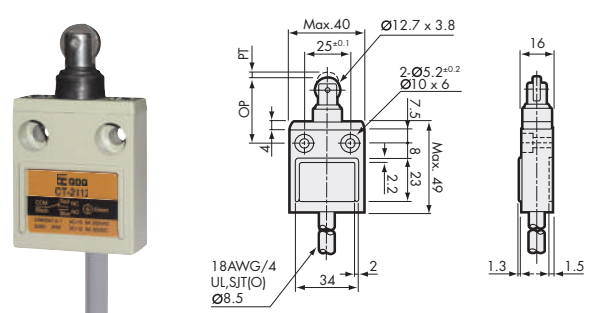
CT-2110



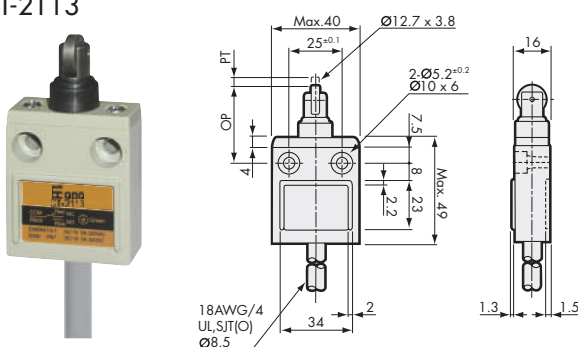
CT-2111



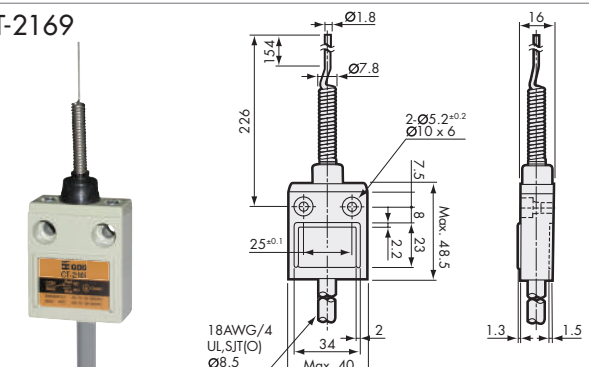
CT-2112



CT-2113



CT-2169





CT-3系列限動開關

- 雙迴路型限動開關
- 結構堅固，由鋅合金及強化塑膠組成
- 內藏微動開關雙簧片機構，機械壽命更長
- 具較大之OT動作
- 容易配線之導管設計
- 引動器種類多，方便使用

額定值 Rated Value

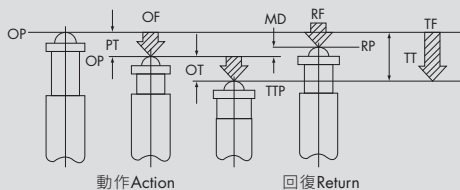
額定電壓 Voltage	非電感性負載 Non Inductive Load				電感性負載(A) Inductive Load			
	電阻性負載 Resistive Load		燈泡負載 Bulb Load		電感性負載 Inductive Load		馬達負載 Motor Load	
	NC	NO	NC	NO	NC	NO	NC	NO
125VAC	5	5	1.5	0.7	3	3	2	1
250VAC	5	5	1	0.5	3	3	1.5	0.8
500VAC								
8VDC	5	5	3	3	5	4	3	3
14VDC	5	5	3	3	4	4	3	3
30VDC	5	5	3	3	4	4	3	3
125VDC	0.4	0.4						
250VDC	0.2	0.2						
突入電流 Current	N.C.:24A以下, N.O.:12A以下 N.C: at 24A below, N.O: at 12A below							

註：1. 電感性負載之功率因素在0.4以上(AC)，時間常數在7msec以下(DC)。
2. 燈泡負載之突入電流為穩定狀態電流之10倍，馬達負載之突入電流為穩定狀態電流之6倍。
Note: 1. The power factor of inductive load is above 0.4(AC), time constant is under 7msec(DC).
2. Inrush current from the bulb load offers 10 times load then under stable condition; Inrush current from motor load offers 6 times then stable condition.

接點型式 Contact



動作特性 Action Characteristic



OF: 動作所需之力 Action Force
 RF: 回復力 Return Force
 TF: 整個移動所需之力 Total Force
 FP: 自由位置 Free Position
 OP: 動作位置 Action Position
 RP: 回復位置 Reply Position
 TTP: 整個移動之位置 Total Transfer Position
 PT: 至動作為止之移 To the Action Transfer
 OT: 動作後之移動 Move After Operating
 MD: 距差 Middle Distance
 TT: 整個移動 Total Transfer

型號Part No.	CT-3104	CT-3107	CT-3108	CT-3111	CT-3112/3122	CT-3166/3167/3168/3169
OF最大(Max)	750g	750g	750g	900g	900g	150g
RF最小(Min)	100g	100g	100g	150g	150g	-
PT最大(Max)	20°	20°	20°	1.5mm	1.5mm	30mm
OT最小(Min)	50°	50°	50°	4mm	4mm	-
MD最大(Max)	12°	12°	12°	1mm	1mm	-
OP	-	-	-	26±0.8mm	37±0.8mm	-

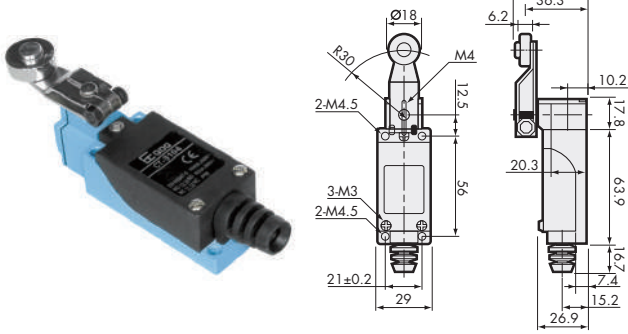
CT-3 LIMIT SWITCH

- Double-loop type limit switch
- Rigid structure, composed of zinc alloy and reinforced plastic
- Built-in micro-switch double strip springs, serves longer mechanical life
- Optimize better OT operation
- Conduit design brings convenience of wiring
- Variety of actuator choices, easy to apply

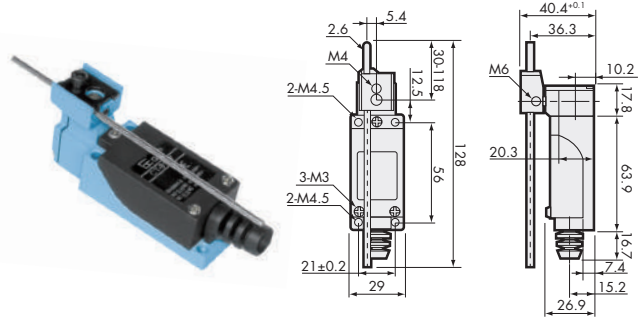
特性 Characteristic

操作速度 Operating Speed	0.5mm~50cm/sec (鎖住塞型 Lock type)
動作頻率 Action Frequency	機械: 120次/分, 電氣: 30次/分 Mechanically: 120times/min, Electrically: 30times/min
接點電阻 Contact Resistance	25mΩ(mm) (初期 Initial)
絕緣電阻 Insulation Resistance	100mΩ以上(於500VDC), More than 100mΩ (at 500VDC)
耐電壓 Withstanding Voltage	非連續端子間1,000VAC, 50/60Hz持續1分鐘 載電流與無載電流零件間1,500VAC, 50/60Hz持續1分鐘 Between terminals: 1,000VAC, 50/60Hz for 1 min. Between Load current and non-load current: 1,500VAC, 50/60Hz for 1min
振動Vibration	10至55Hz, 1.5mm雙振幅 10~55Hz, 1.5mm (DA)
衝擊Impact	機械耐久: 1,000m/sec ² (約100G'S) 誤動作耐久: 300m/sec ² (約30G'S) Machine Durability: 1,000m/sec ² (around 100G'S) Misoperating: 300m/sec ² (around 30G'S)
周圍溫度 Ambient Temperature	使用時 -5~+65°C (In use)
濕度Humidity	95%RH以上 than 95%RH
使用壽命 Life	機械: 10,000,000次以上, 電氣: 500,000次以上 Mechanically: more than 10,000,000 times Electrically: more than 500,000 times
重量Weight	約130~190g around 130~190g
防護等級 IP Ratings	IEC: IP65

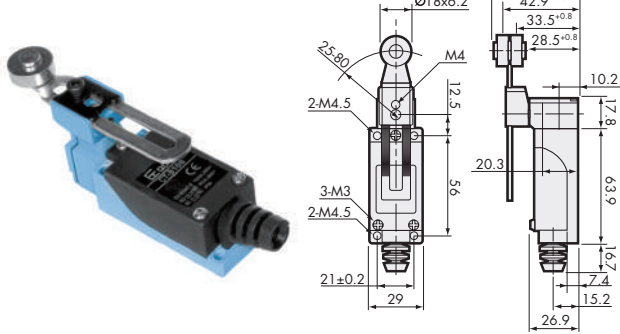
CT-3104



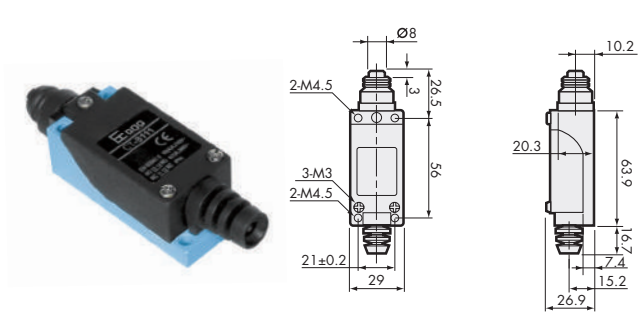
CT-3107



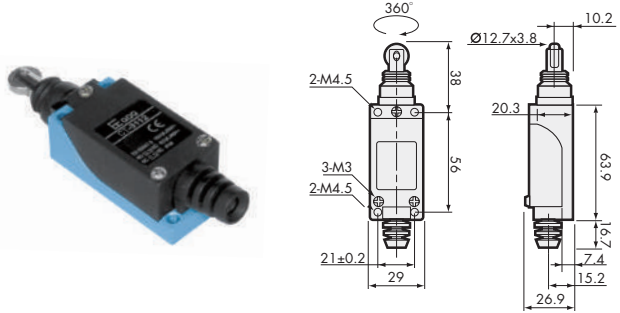
CT-3108



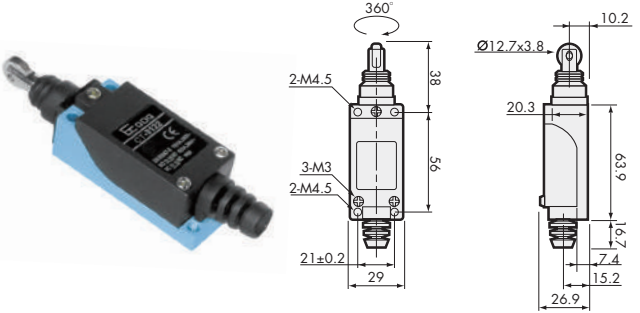
CT-3111



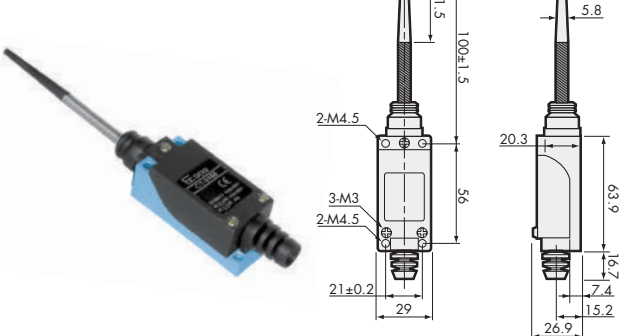
CT-3112



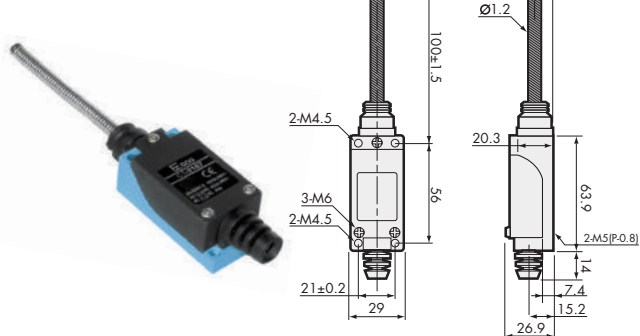
CT-3122



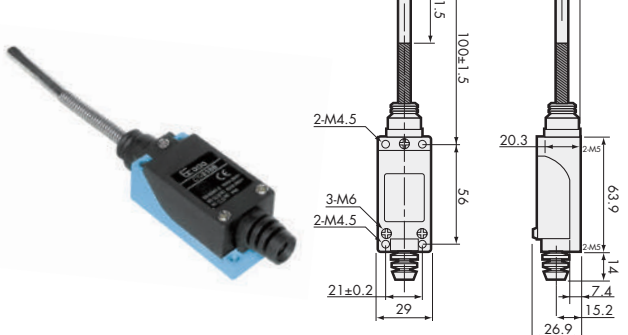
CT-3166



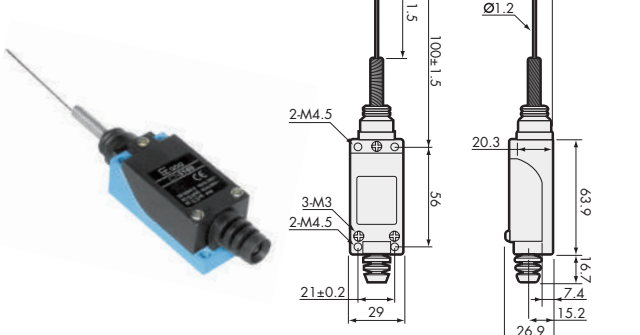
CT-3167



CT-3168



CT-3169





CT-5系列限動開關

- 金屬底殼
- 不鏽鋼滾輪，衝頭及彈簧
- 高電性 10A，250V，50萬次

CT-5 LIMIT SWITCH

- Metallic bottom cover
- Stainless steel roller, tool steel and spring
- Strong electric property 10A, 250V, for 500,000 times

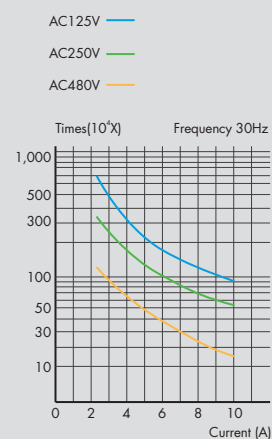
規格 Specification

型號Part No.		CT-5000	CT-5030	CT-5050	CT-5100	CT-5200	CT-5220	CT-5300	CT-5330	CT-5381	CT-5391
操作力 Operating Force	OF最大(Max)	750g-cm	750g-cm	750g-cm	750g-cm	900g-cm	900g-cm	150g	150g	150g	550g-cm
回彈力 Release Force	RF最小(Min)	100g-cm	100g-cm	100g-cm	200g	200g	200g	30g	30g	30g	100g-cm
前預行程 Pre-travel	PT最大(Max)	20°	20°	20°	1.8mm	1.8mm	1.8mm	30mm	30mm	30mm	20°
觸發位置 Tripping Position	TP (±10%)	22.5°	22.5°	22.5°	2.0mm	2.0mm	2.0mm	22.5°	22.5°	22.5°	22.5°
行程移動分辨率 Movement differential	MD最大(Max)	10°	10°	10°	1.2mm	1.2mm	1.2mm	14°	14°	14°	14°
觸後行程 Over travel	OT最小(Min)	75°	75°	75°	4.0mm	4.0mm	4.0mm	20mm	20mm	20mm	75°
累積總行程 Total travel	TT最小(Min)	95°	95°	95°	5.8mm	5.8mm	5.8mm	50mm	50mm	50mm	95°

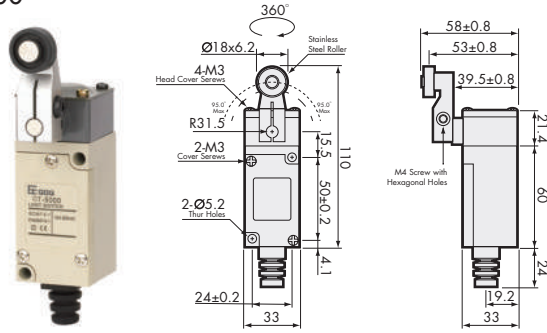
特性 Characteristic

雙斷開機械功用 Double Break Mechanism	INO+INC Force Break snap action 強迫斷開快速機芯
額定電壓電流 Rated Voltage/Current	10(A), 125, 250VAC/6(2)A, 380VAC For inductance Load, Cosφ=0.4
接觸電阻 Contact Resistance	Initial<10mΩ, after teating<30mΩ
絕緣電阻 Insulation Resistance	Min. 100mΩ at 500VDC
電介強度 Dielectric Strength	AC 2000VAC/Minute for exposed metal/terminals, ground and between opposite poles
電性壽命 Electrical Life	500,000 at 10A 250VAC Resistive
機械壽命 Mechanical Life	20,000,000
操作速度 Operating Speed	120 Cycles/Minute
防水防塵能力 Degree of Protection	IP66(防壓力水柱級)
上升溫度 Ambient Temperature Rised	Max 30°Cover ambient temperture at rated voltage/current
合乎標準 Conformed Standards	Cenelec EN 50041, EN 50047, IEC 337-1, VDE 0660
操作溫度 Operating Temperature	-25°C~+80°C
保存溫度 Storage Temperature	-25°C~+80°C
濕度 Humidity	95°C RH Max(No dewing)
衝擊係數 Shock Resistance	Free Position 10G, Overtravel Position 30G
振動頻率 Vibration Frequency	55Hz Max
端子螺絲扭力 Terminal Screw Locking Force	6-8 kgf-cm
其他螺絲扭力 Other Force	Cover 12-14 kgf-cm/Head 8-9 kgf-cm/Mounting 50-60 kgf/cm
裸銅線尺寸 Bare Wire Gange	φ2Max
電纜尺寸 Cable Diameter	φ9Max (IP66 if use cable φ8-9)

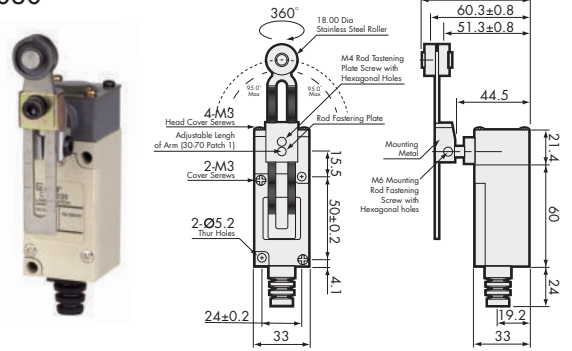
電性壽命圖 Electrical life



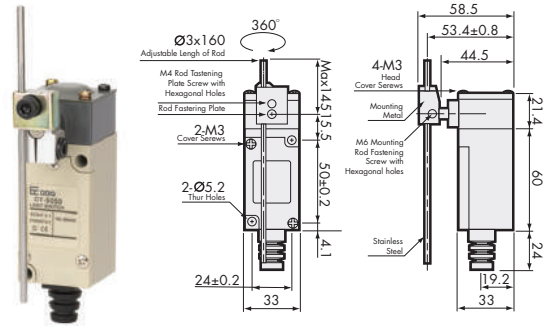
CT-5000



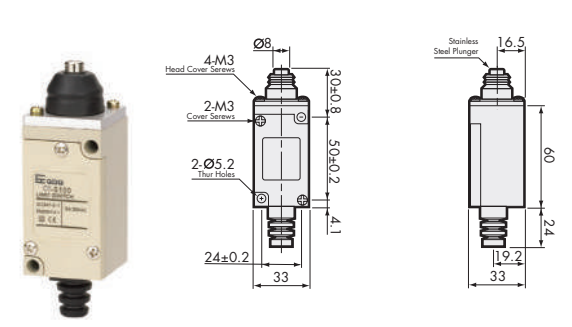
CT-5030



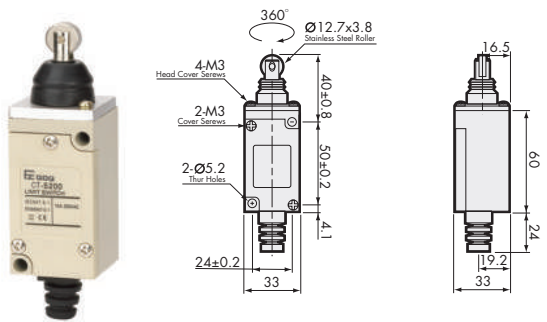
CT-5050



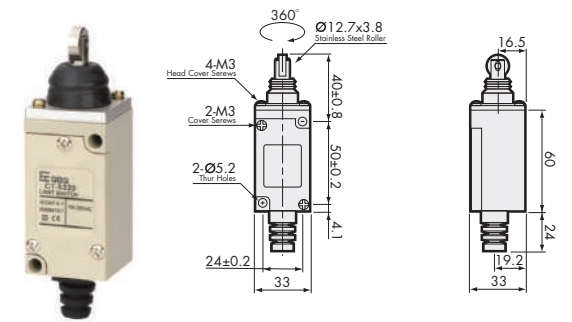
CT-5100



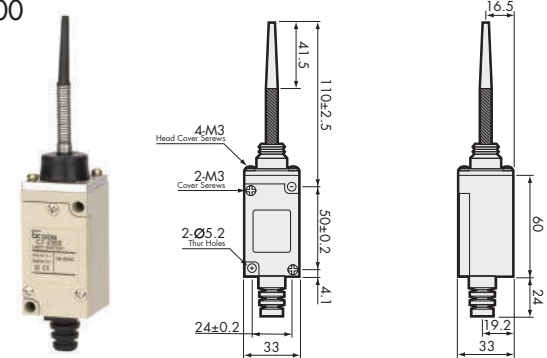
CT-5200



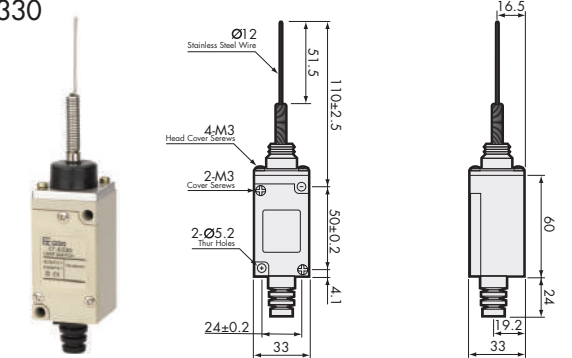
CT-5220



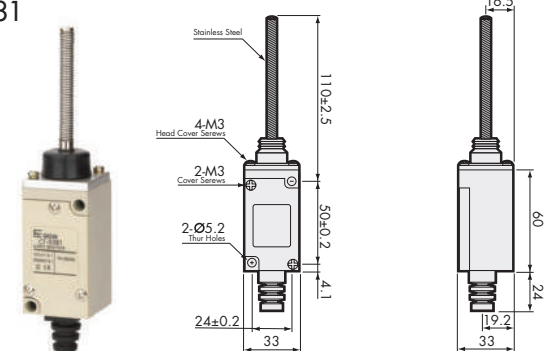
CT-5300



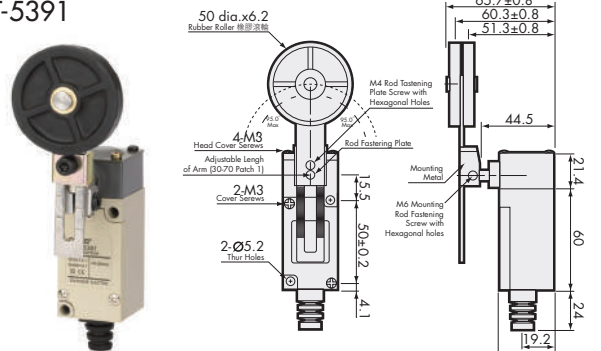
CT-5330



CT-5381



CT-5391





CHIAO TEIN ENTERPRISES CO. LTD

CT-7系列小型限動開關

- 引動器種類多，且有動作位置可調整之設計(如CT-7121)
- 外殼包覆強化塑膠、防水、防油，較CT-1型微動開關有更高的機械強度，耐衝擊

CT-7 MINITYPE SWITCH

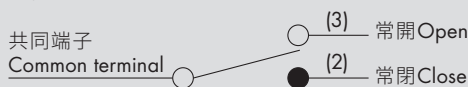
- Variety of actuator choices, action position is adjustable (CT-7121)
- The cover is shielded with industrial plastic, water and oil resistant, brings higher mechanics and stress intensity then CT-1 type.

額定值 Rated Ralue

額定電壓 Voltage	非電感性負載 Non Inductive Load			電感性負載(A) Inductive Load				
	電阻性負載 Resistive Load	燈泡負載 Bulb Load		電感性負載 Inductive Load	馬達負載 Motor Load			
	NC	NO	NC	NO	NC	NO	NC	NO
125VAC	10	3	1.5	10	5	2.5		
250VAC	10	2.5	1.25	10	3	1.5		
480VAC	3	1.5	0.75	2.5	1.5	0.75		
8VDC	10	3	1.5	6	6	5		
14VDC	10	3	1.5	6	6	5		
30VDC	8	3	1.5	6	5	2.5		
125VDC	0.5	0.4	0.4	0.05	0.05	0.05		
250VDC	0.25	0.2	0.2	0.03	0.03	0.03		

註：1.電感性負載之功率因素在0.4以上(AC)，時間常數在7msec以下(DC)。
 2.燈泡負載之突入電流為穩定狀態電流之10倍，馬達負載之突入電流為穩定狀態電流之6倍。
 Note: 1. The power factor of inductive load is above 0.4(AC), time constant is under 7msec(DC).
 2. Inrush current from the bulb load offers 10 times load then under stable condition; Inrush current from motor load offers 6 times then stable condition.

接點型式 Contact



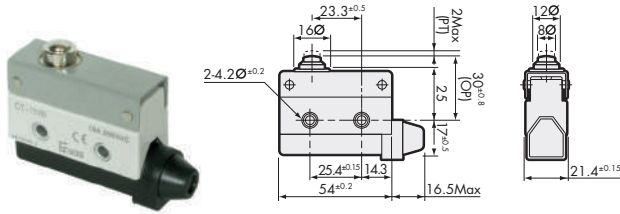
特性 Characteristic

操作速度 Operating Speed	0.01mm~50cm/sec(鎖住塞型) 0.01mm~50cm/sec(Lock type)
動作頻率 Action Frequency	120次/分 120times/min
接點電阻 Contact Resistance	15mΩ以下(初期) Under 15mΩ (Initial)
絕緣電阻 Insulation Resistance	100mΩ以上(於500VDC以下) More than 100mΩ (under 500VDC)
耐電壓 Withstanding Voltage	非連續端子間1,000VAC, 50/60Hz持續1分鐘, 無載電流零件與接地間1,500VAC, 50/60Hz持續1分鐘 Between terminals: 1,000VAC, 50/60Hz for 1 min. Between non-load current and earthing system: 1,500VAC, 50/60Hz for 1 min
振動 Vibration	誤動作耐久: 10至55Hz, 1.5mm雙振幅 Action: 10~55Hz, 1.5mm (DA)
衝擊Impact	機械耐久: 1,000m/sec ² (約100G'S) 誤動作耐久: 300m/sec ² (約30G'S) Machine Durability: 1,000m/sec ² (around 100G'S) Misoperating: 300m/sec ² (around 30G'S)
周圍溫度 Ambient Temperature	使用時-10~+80°C (但不結冰No icing)
濕度Humidity	< 95%RH
使用壽命 Life	機械: 1千萬次以上(在額定OT值下), 電氣: 50萬次以上 Mechanically: than 10,000,000 times(at rated OT) Electrically: than 500,000 times
重量Weight	約60g, around 60g
防護等級 IP Ratings	IEC: IP40

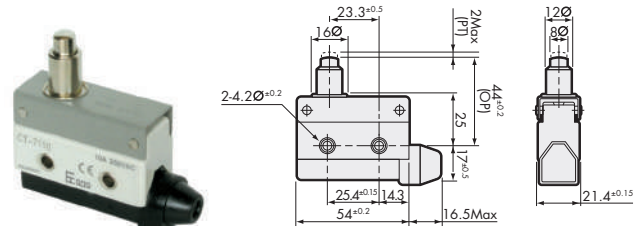
動作特性 Action Characteristic

型號Part No.	CT-7100	CT-7110	CT-7310	CT-7311	CT-7312	CT-7120	CT-7140	CT-7121	CT-7141	CT-7124	CT-7144	CT-7166
OF最大(Max)	600g	600g	600g	600g	600g	150g	220g	180g	240g	200g	280g	120g
RF最小(Min)	100g	100g	100g	100g	100g	40g	60g	50g	80g	60g	100g	-
PT最大(Max)	2.0mm	2.0mm	2.0mm	2.0mm	2.0mm	13.5mm	8.5mm	11mm	6.5mm	11mm	6.5mm	250mm
OT最小(Min)	0.8mm	5.0mm	6.0mm	6.0mm	6.0mm	4.0mm	2.5mm	3.0mm	2.0mm	3.0mm	2.0mm	11mm
MD最大(Max)	0.8mm	0.8mm	0.8mm	0.8mm	0.8mm	3.2mm	2.0mm	2.4mm	1.5mm	2.4mm	1.5mm	-
OP	30.5±0.8mm	44±1.2mm	21.8±1.2mm	33.3±1.2mm	33.3±1.2mm	25±1mm	25±1mm	40±1mm	40±1mm	50±1.2mm	50±1.2mm	-
FP	-	-	-	-	-	35mm	32mm	-	46mm	-	56mm	-

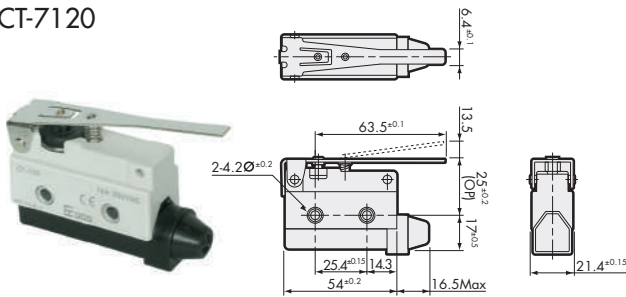
CT-7100



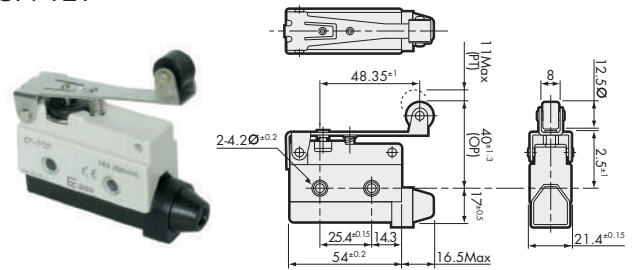
CT-7110



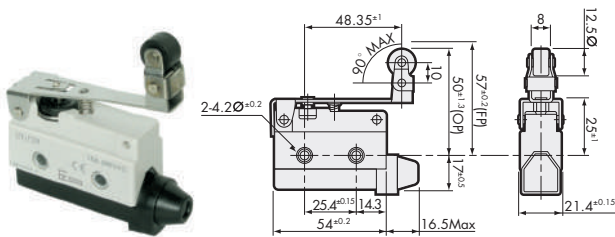
CT-7120



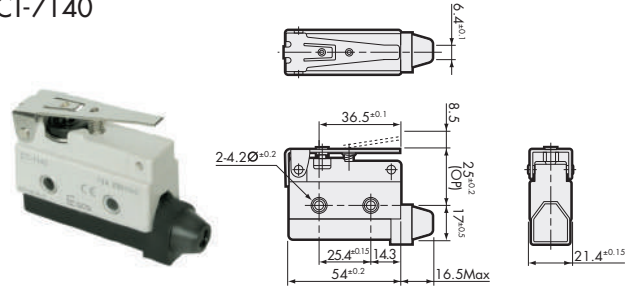
CT-7121



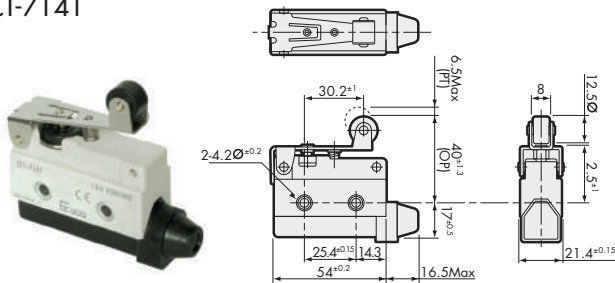
CT-7124



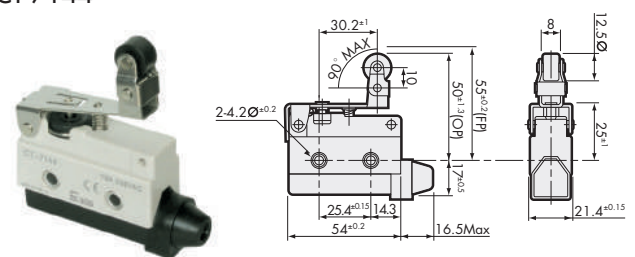
CT-7140



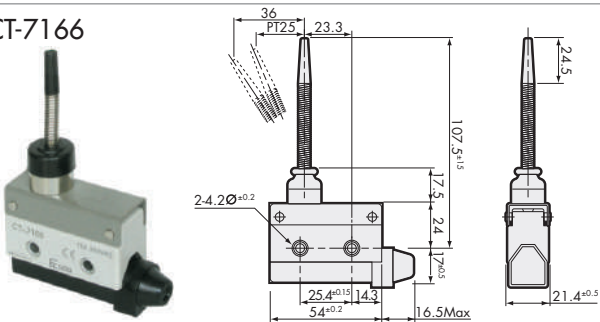
CT-7141



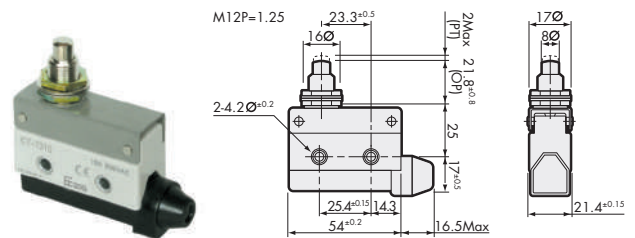
CT-7144



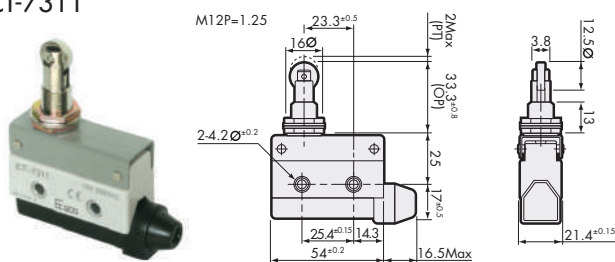
CT-7166



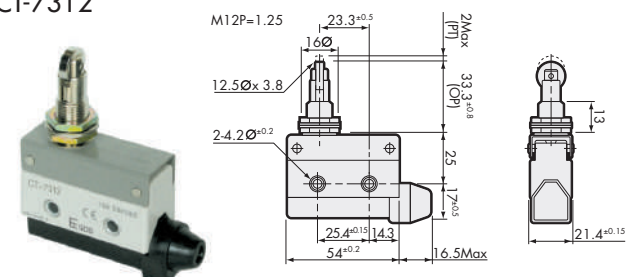
CT-7310



CT-7311



CT-7312





CT-CSA系列限動開關

- 堅硬金屬外殼，極大搖臂角度±95°C
- 特長2000萬次機械壽命
- 不鏽鋼滾輪，衝頭及彈簧
- 可選配PG11固定頭

CT-CSA LIMIT SWITCH

- Solid metal cover with maximum ±95°C amplitude
- Mechanical Life extends to 20 million times
- Stainless steel roller, tool steel and spring
- PG11 gland can be equipped

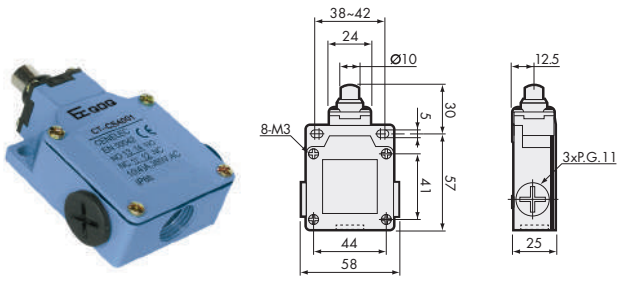
規格 Specification

型號Part No.		CT-CAS001	CT-CAS003	CT-CAS012	CT-CAS021	CT-CAS031	CT-CAS061	CT-CAS071	CT-CAS081
操作力 Operating Force	OF最大(Max)	800g	800g	800g	400g-cm	400g-cm	150g	150g	150g
回彈力 Release Force	RF最小(Min)	400g	400g	400g	100g-cm	100g-cm	50g	50g	50g
前預行程 Pre-travel	PT最大(Max)	1.8mm	1.8mm	1.8mm	20°	20°	30mm	30mm	30mm
觸發位置 Tripping Position	TP (±10%)	2.0mm	2.0mm	2.0mm	22.5°	22.5°	22.5°	22.5°	22.5°
行程移動分辨率 Movement differential	MD最大(Max)	1.2mm	1.2mm	1.2mm	10°	10°	14°	14°	14°
觸後行程 Over travel	OT最小(Min)	4.0mm	4.0mm	4.0mm	75°	75°	20mm	20mm	20mm
累積總行程 Total travel	TT最小(Min)	5.8mm	5.8mm	5.8mm	95°	95°	50mm	50mm	50mm
搖臂轉換角度 Rotary Indexing	-	-	-	-	22.5°	22.5°	-	-	-

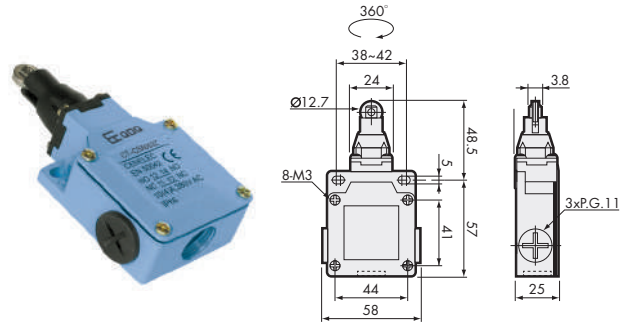
特性 Characteristic

雙斷開機械功用 Double Break Mechanism	INO+INC Force Break snap action 強迫斷開快速機芯
額定電壓/電流 Rated Voltage/Current	10(4)A, 125, 250VAC/6(2)A, 380VAC For inductance Load, Cosφ=0.4
接觸電阻 Contact Resistance	Initial<10mΩ, after teating<30mΩ
絕緣電阻 Insulation Resistance	Minute 100mΩ at 500VDC
電介強度 Dielectric Strength	AC 2000VAC/Minute for exposed metal/terminals, ground and between opposite poles
電性壽命 Electrical Life	500,000 at 10A 250VAC Resistive
機械壽命 Mechanical Life	20,000,000
操作速度 Operating Speed	120 Cycles/Minute Max; 1-150mm/sec
防水防塵能力 Degree of Protection	IP66(防壓力水柱級)
上升溫度 Ambient Temperature Rised	Max 30° Cover ambient temperture at rated voltage/current
合乎標準 Conformed Standards	Cenelec EN 50041, EN 50047, IEC 337-1, VDE 0660
操作溫度 Operating Temperature	-25°C~+80°C
保存溫度 Storage Temperature	-25°C~+80°C
濕度 Humdity	95°C RH Max(No dewing)
衝擊係數 Shock Resistance	Free Position 10G, Overtravel Position 30G
振動頻率 Vibration Frequency	55Hz Max
端子螺絲扭力 Terminal Screw Locking Force	6-8 kgf-cm
其他螺絲扭力 Other Force	Cover 12-14 kgf-cm/Head 8-9 kgf-cm/Mounting 50-60 kgf/cm
裸銅線尺寸 Bare Wire Gange	φ2Max
電纜尺寸 Cable Diameter	φ12Max

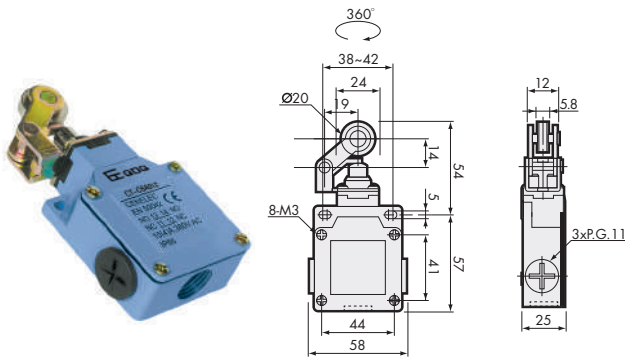
CT-CSA001



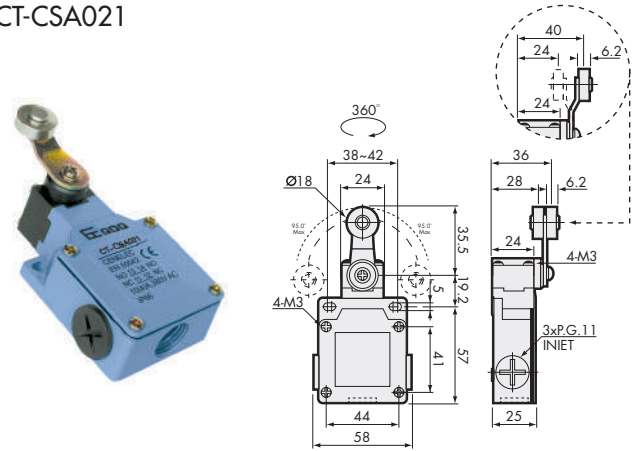
CT-CSA003



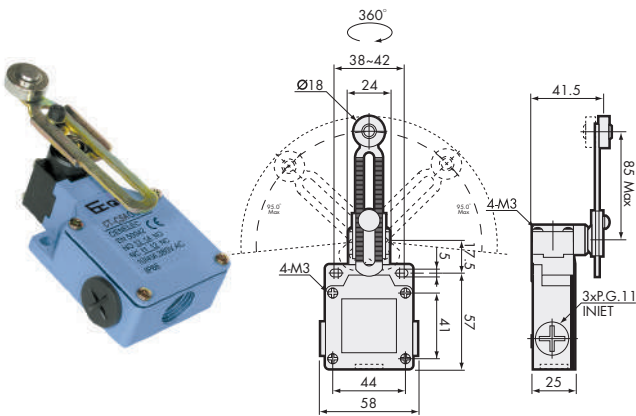
CT-CSA012



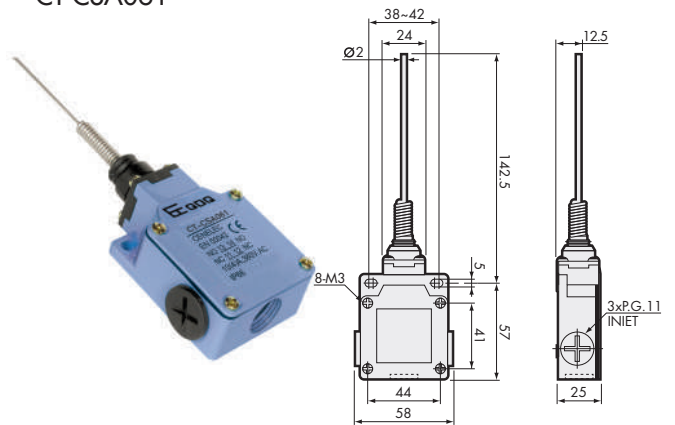
CT-CSA021



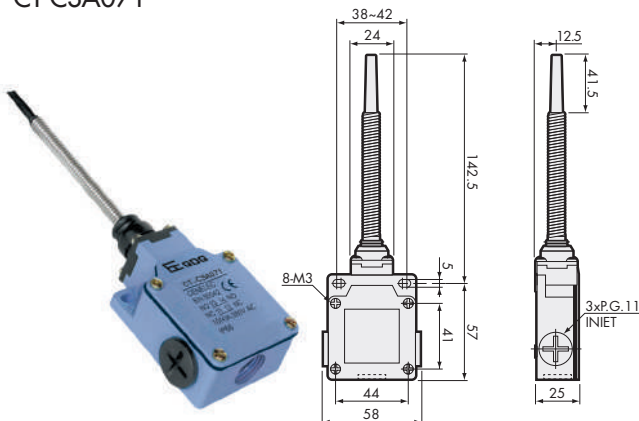
CT-CSA031



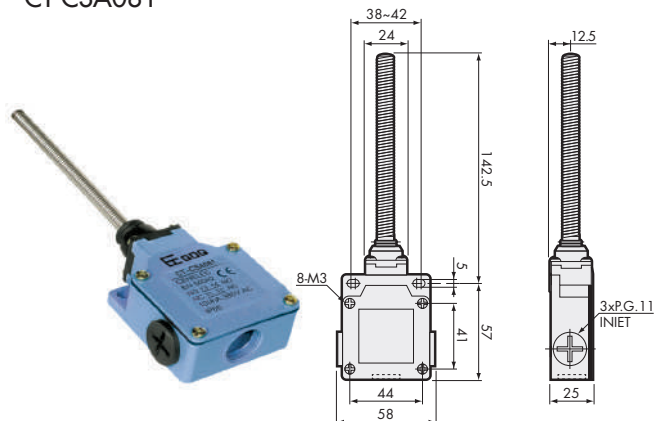
CT-CSA061



CT-CSA071



CT-CSA081





CT-WL系列限動開關

- 雙迴路型限動開關，用途廣泛
- 具堅固之一體鑄造鋁合金外殼
- 高機械強度
- 具耐油、防水和防壓結構
- 因裝有設定位置指示板，故維護容易
- 引動器種類多，方便使用
- 內藏接點座有雙簧片設計，機械壽命長

CT-WL LIMIT SWITCH

- Double-loop type limit switch, can be widely applied in several areas
- Aluminum alloy cover offers solid and rigid protection
- High mechanical intensity
- Oil and water resistant and anti-pressure structure
- Equipped with position indicator plate brings easy maintenance
- Variety of actuator choices, easy to operate
- Built-in contact block contains double spring strips which benefits longer mechanical life

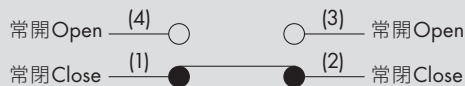
額定值 Rated Value

額定電壓 Voltage	非電感性負載 Non Inductive Load			電感性負載(A) Inductive Load				
	電阻性負載 Resistive Load	燈泡負載 Bulb Load		電感性負載 Inductive Load	馬達負載 Motor Load			
	NC	NO	NC	NO	NC	NO	NC	NO
125VAC	10	3	1.5	10	5	2.0		
250VAC	5	2	1	5	3	1.2		
480VAC	3	1.5	0.8	3	1.5	0.8		
600VAC	1	1	0.5	1.5	1	0.5		
8VDC	10	6	3	10	6			
14VDC	10	6	3	10	6			
30VDC	6	4	3	6	4			
125VDC	0.8	0.2	0.2	0.8	0.2			
250VDC	0.4	0.1	0.1	0.4	0.1			

註：1. 電感性負載之功率因素在0.4以上(AC)，時間常數在7msec以下(DC)。
2. 燈泡負載之突入電流為穩定狀態電流之10倍，馬達負載之突入電流為穩定狀態電流之6倍。

Note: 1. The power factor of inductive load is above 0.4(AC), time constant is under 7msec(DC).
2. Inrush current from the bulb load offers 10 times load then under stable condition; Inrush current from motor load offers 6 times then stable condition.

接點型式 Contact



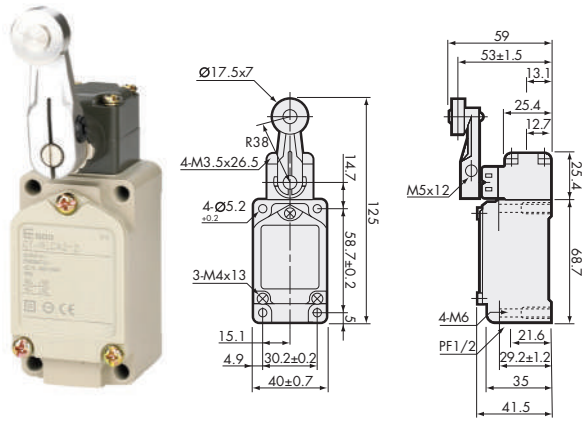
動作特性 Action Characteristic

型號Part No.	WLCA2-2	WLD2	WLNJ	WLNJ-S2	WLCA12-Q	WLCL	WLCA32-41	WLD	WLNJ-2	WLNJ-30	WLD1	WLD3
OF最大(Max)	1360g	2720g	150g	29g	1360g	142g	1200g	2720g	120g	80g	2720g	2720g
RF最小(Min)	227g	910g	-	-	227g	28g	-	910g	-	-	910g	910g
PT最大(Max)	20°	1.7mm	28mm	28mm	20°	20°	55°	1.7mm	28mm	28mm	1.7mm	1.7mm
OT最小(Min)	30°	5.6mm	-	-	30°	30°	35°	6.4mm	-	-	5.6mm	5.6mm
MD最大(Max)	12°	1mm	-	-	12°	12°	-	1mm	-	-	1mm	1mm
TF最大(Max)	2720g	-	-	-	2720g	200g	-	-	-	-	2720g	2720g
TT最小(Min)	50°	6.5±0.8mm	-	-	50°	50°	OP:90±10° OP:34±2.8mm	-	-	-	6.5±0.8mm	9±0.8mm

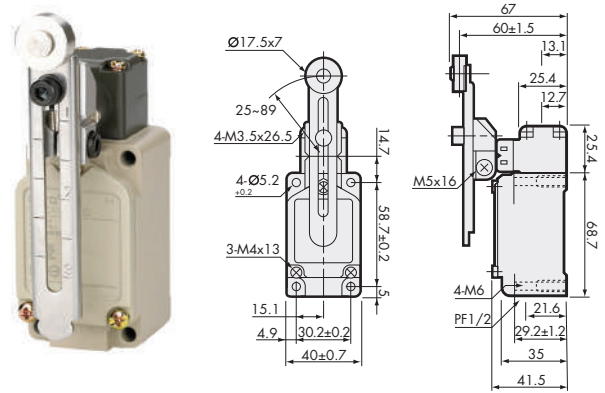
特性 Characteristic

操作速度 Operating Speed	1mm~2m/s (WLCA2型 WLCA2 type)
動作頻率 Action Frequency	機械:120次/分, 電氣:30次/分 Mechanically:120times/min, Electrically:30times/min
接點電阻 Contact Resistance	15mΩ以下(初期) Under 15mΩ (Initial)
絕緣電阻 Insulation Resistance	100mΩ以上(於500VDC以下) More than 100mΩ (under 500VDC)
耐電壓 Withstanding Voltage	非連續端子間1,000VAC, 50/60Hz持續1分鐘 載電流與無載電流零件間2,200VAC, 50/60Hz持續1分鐘 Between terminals: 1,000VAC, 50/60Hz for 1 min. Between Load current and non-load current: 2,200VAC, 50/60Hz for 1 min
振動Vibration	10至55Hz, 1.5mm雙振幅 10~55Hz, 1.5mm(DA)
衝擊Impact	機械耐久: 1,000m/sec ² (約100G'S) 誤動作耐久: 300m/sec ² (約30G'S) Machine Durability: 1,000m/sec ² (around 100G'S) Misoperating: 300m/sec ² (around 30G'S)
周圍溫度 Ambient Temperature	使用時-10~+80°C (In use)
濕度Humidity	最大95%RH Max 95%RH
使用壽命 Life	機械:1千5百萬次以上(在額定OT值下), 電氣:50萬次以上 Mechanically: than 15,000,000 times(at rated OT) Electrically: than 500,000 times
重量Weight	約275g(CWLCA2-2) around 275g(CWLCA2-2)
防護等級 IP Ratings	IEC: IP66

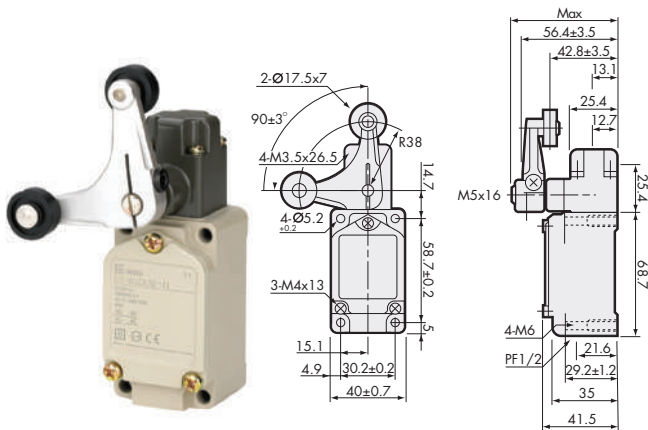
CT-WLCA2-2



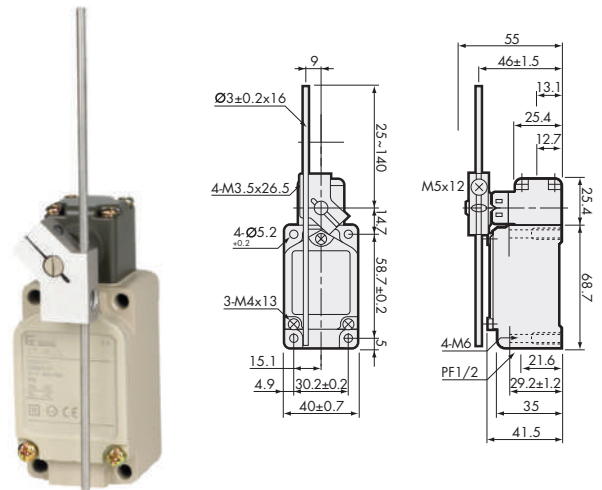
CT-WLCA12-2-Q



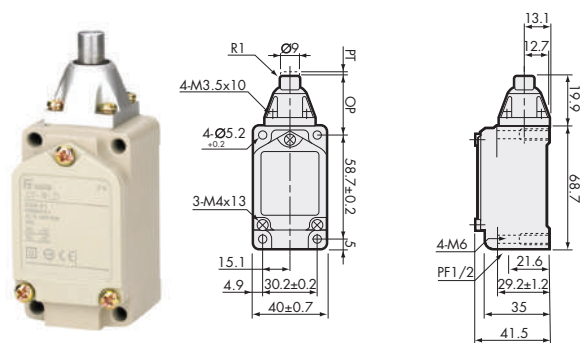
CT-WLCA32-41



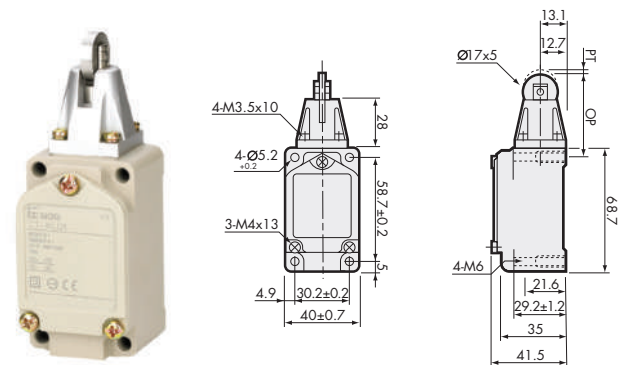
CT-WLCL



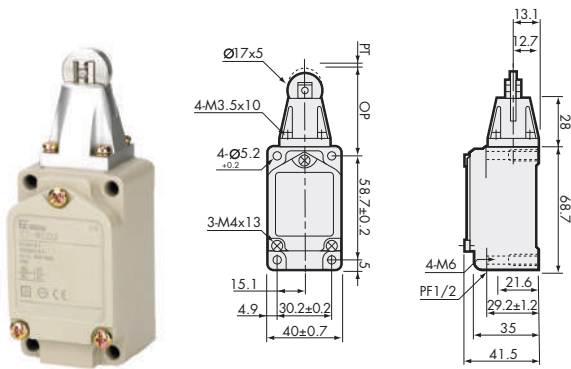
CT-WLD



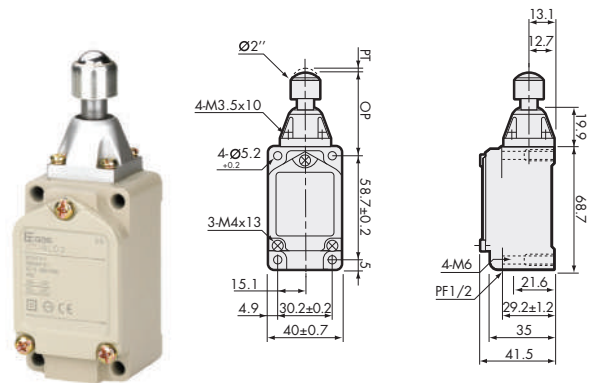
CT-WLD1



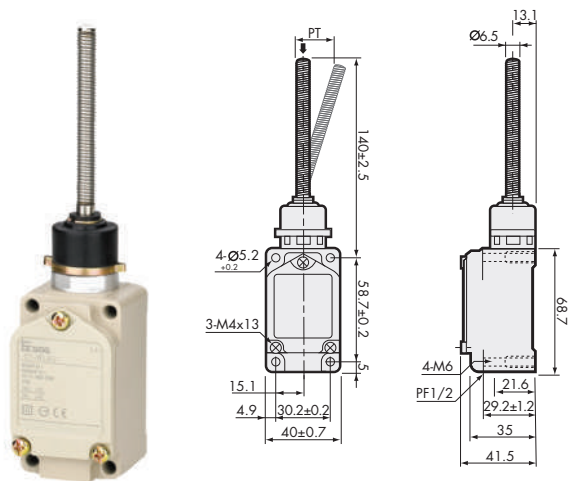
CT-WLD2



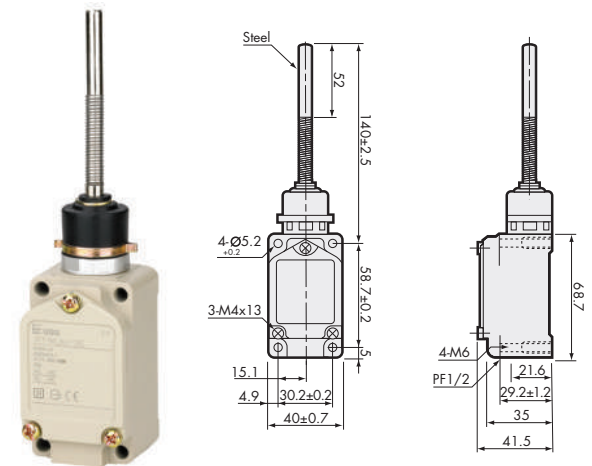
CT-WLD3



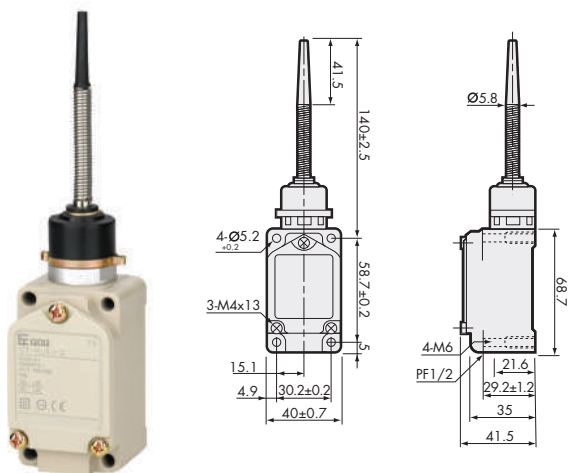
CT-WLNJ



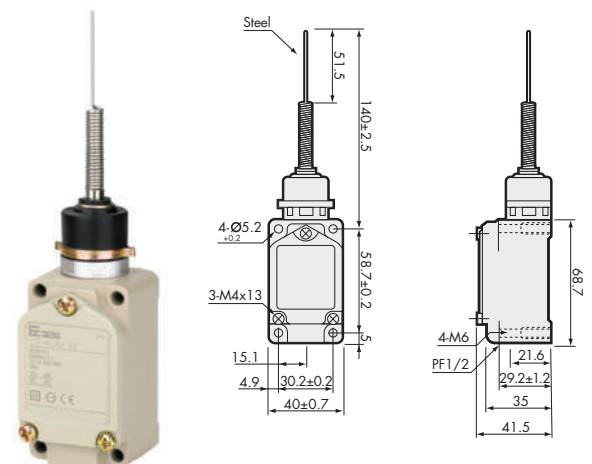
CT-WLNJ-30



CT-WLNJ-2



CT-WLNJ-S2





CT-CLS系列限動開關

- 經濟塑料型
- 不鏽鋼滾輪，衝頭及彈簧
- 特大±95°搖臂擺幅
- 可選配PG13.5固定頭

CT-CLS LIMIT SWITCH

- Economical Plastic
- Stainless steel roller, tool steel and spring
- Pendulum up to ±95°, amplitude
- PG13.5 gland that can be equipped

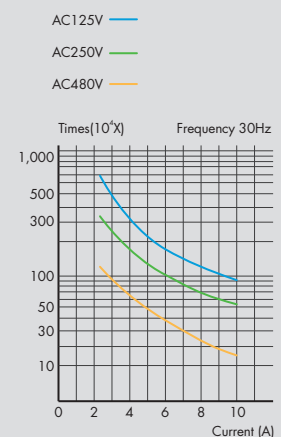
規格 Specification

型號 Part No.		CT-CLS101 CT-CLS301	CT-CLS103 CT-CLS303	CT-CLS111 CT-CLS311	CT-CLS121 CT-CLS321	CT-CLS127 CT-CLS327	CT-CLS131 CT-CLS331	CT-CLS161 CT-CLS361	CT-CLS171 CT-CLS371	CT-CLS181 CT-CLS381	CT-CLS191 CT-CLS391
操作力 Operating Force	OF最大(Max)	700g	700g	700g	500g	700g	500g-cm	100g	100g	100g	500g-cm
回彈力 Release Force	RF最小(Min)	200g	200g	200g	100g-cm	200g	100g-cm	40g	40g	40g	100g-cm
前預行程 Pre-travel	PT最大(Max)	1.8mm	1.8mm	1.8mm	20°	1.8mm	20°	30mm	30mm	30mm	20°
觸發位置 Tripping Position	TP (±10%)	2.0mm	2.0mm	2.0mm	22.5°	2.0mm	22.5°	22.5°	22.5°	22.5°	22.5°
行程移動分辨率 Movement differential	MD最大(Max)	1.2mm	1.2mm	1.2mm	10°	1.2mm	10°	14°	14°	14°	10°
觸後行程 Over travel	OT最小(Min)	4.0mm	4.0mm	4.0mm	75°	4.0mm	75°	20mm	20mm	20mm	75°
累積總行程 Total travel	TT最小(Min)	5.8mm	5.8mm	5.8mm	95°	5.8mm	95°	50mm	50mm	50mm	95°
搖臂轉換分角度 Rotary Indexing	-	-	-	-	22.5°	-	22.5°	-	-	-	22.5°

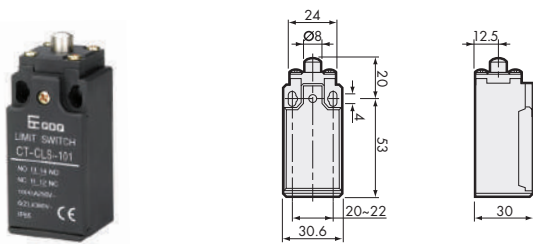
特性 Characteristic

雙斷開機械功用 Double Break Mechanism	INO+INC Force Break snap action 強迫斷開快速機芯
額定電壓電流 Rated Voltage/Current	10(4)A, 125, 250VAC/6(2)A, 380VAC For inductance Load, Cosφ=0.4
接觸電阻 Contact Resistance	Initial<10mΩ, after teating<30mΩ
絕緣電阻 Insulation Resistance	Min. 100mΩ at 500VDC
電介強度 Dielectric Strength	AC 2000VAC/Minute for exposed metal/terminals, ground and between opposite poles
電性壽命 Electrical Life	500,000 at 10A 250VAC Resistive
機械壽命 Mechanical Life	20,000,000
操作速度 Operating Speed	120 Cycles/Minute
防水防塵能力 Degree of Protection	IP66(防壓力水柱級)
上升溫度 Ambient Temperature Rised	Max 30°C Cover ambient temperture at rated voltage/current
合乎標準 Conformed Standards	Cenelec EN 50041, EN 50047, IEC 337-1, VDE 0660
操作溫度 Operating Temperature	-25°C~+80°C
保存溫度 Storage Temperature	-25°C~+80°C
濕度 Humidity	95°C RH Max(No dewing)
衝擊係數 Shock Resistance	Free Position 10G, Overtravel Position 30G
振動頻率 Vibration Frequency	55Hz Max
端子螺絲扭力 Terminal Screw Locking Force	6-8 kgf-cm
其他螺絲扭力 Other Force	Cover 12-14 kgf-cm/Head 8-9 kgf-cm/Mounting 50-60 kgf/cm
裸銅線尺寸 Bare Wire Gange	φ2Max
電纜尺寸 Cable Diameter	φ12Max

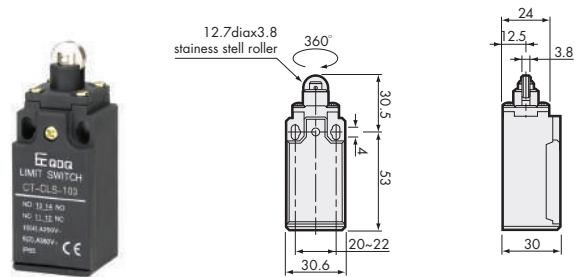
電性壽命圖 Electrical life



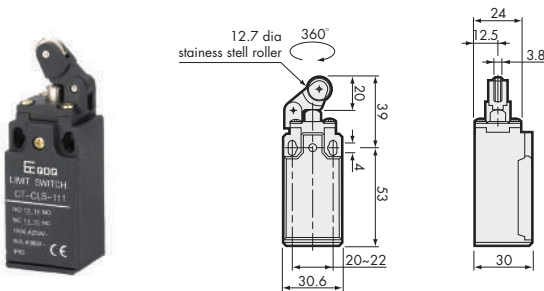
CT-CLS-101



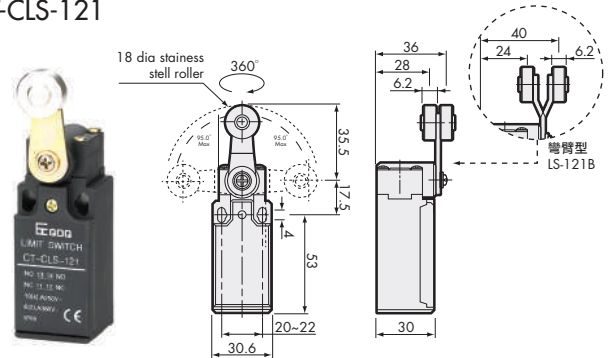
CT-CLS-103



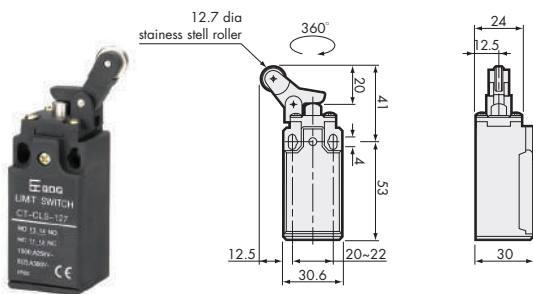
CT-CLS-111



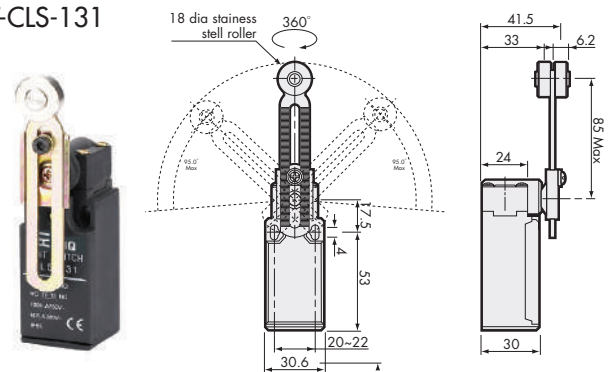
CT-CLS-121



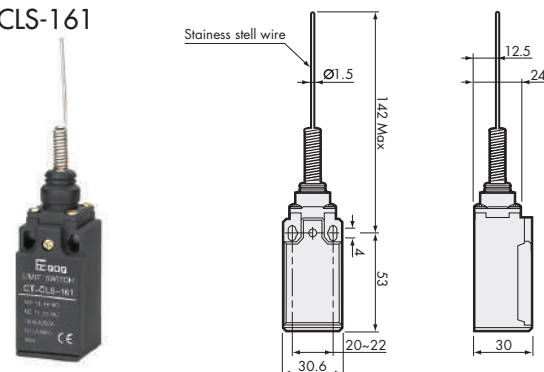
CT-CLS-127



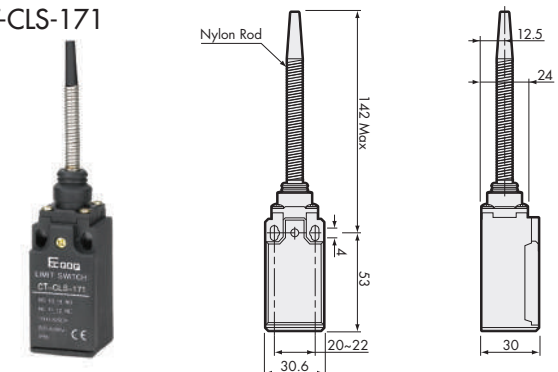
CT-CLS-131



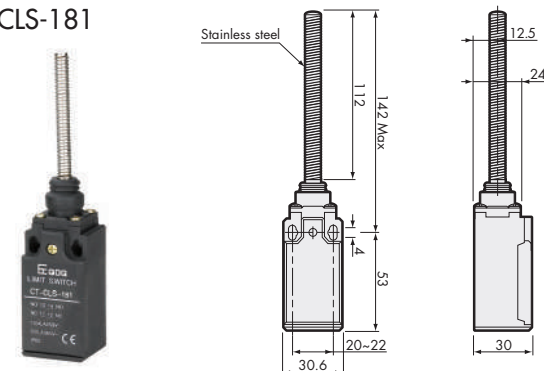
CT-CLS-161



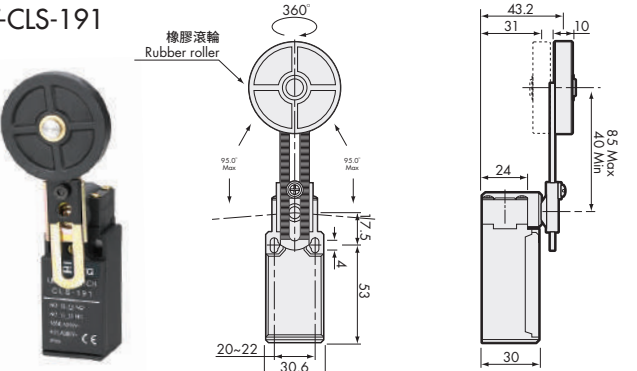
CT-CLS-171



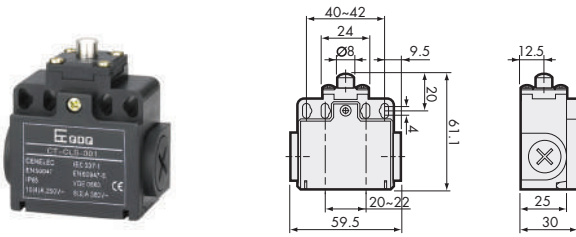
CT-CLS-181



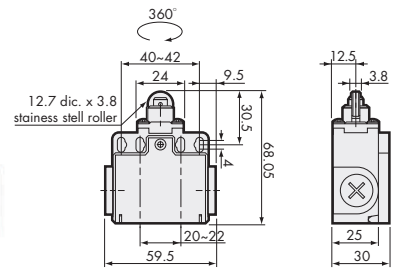
CT-CLS-191



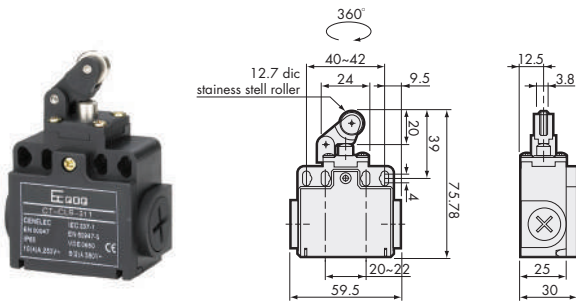
CT-CLS-301



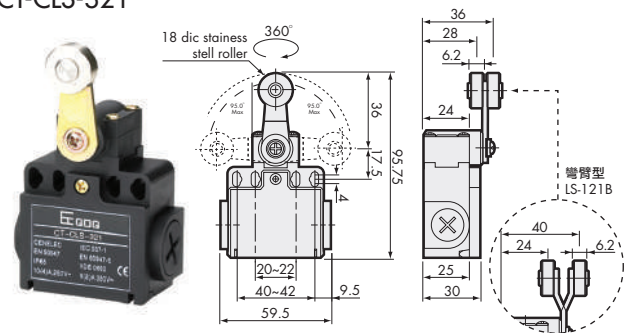
CT-CLS-303



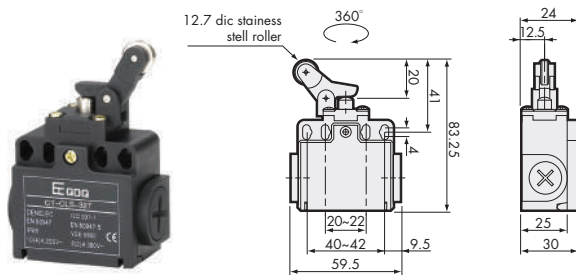
CT-CLS-311



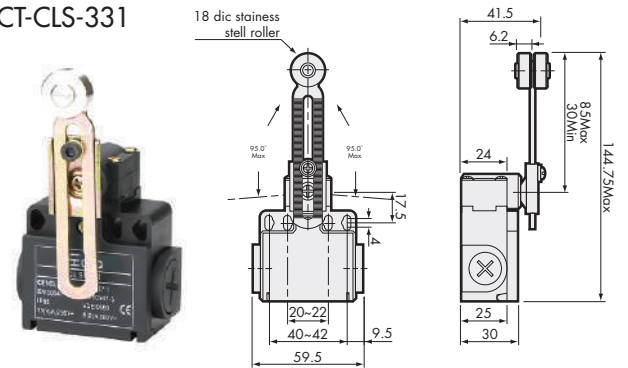
CT-CLS-321



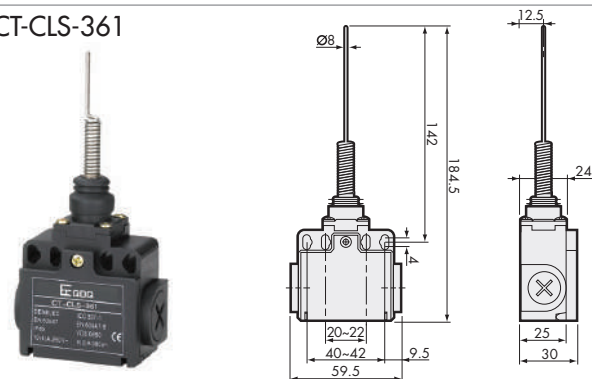
CT-CLS-327



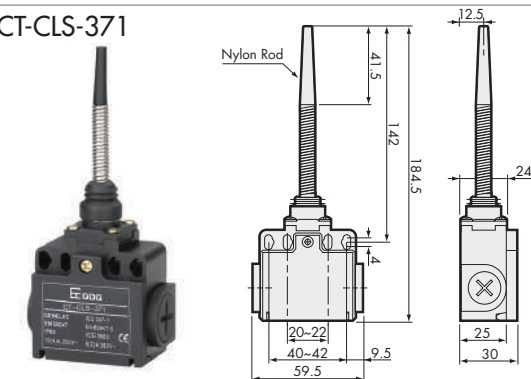
CT-CLS-331



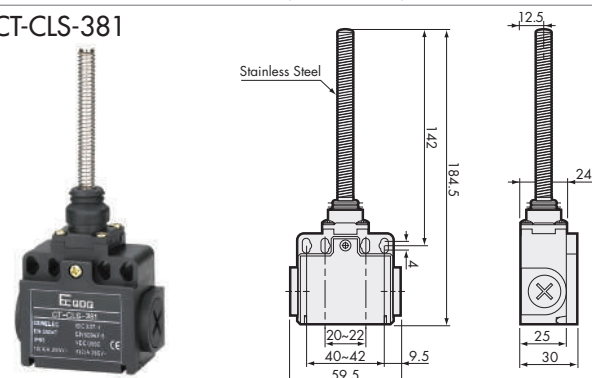
CT-CLS-361



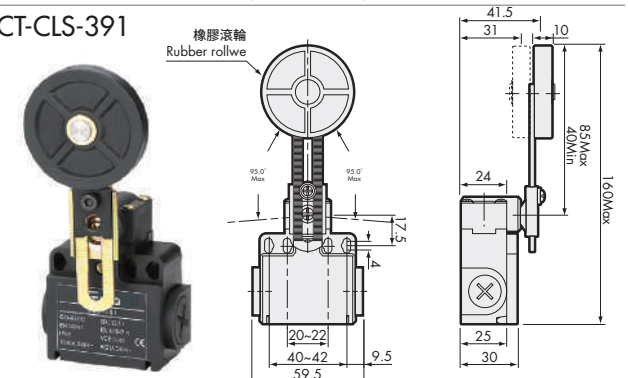
CT-CLS-371



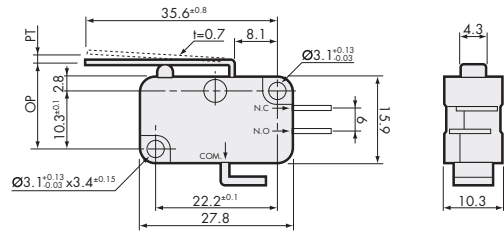
CT-CLS-381



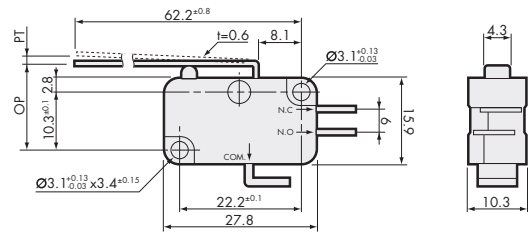
CT-CLS-391



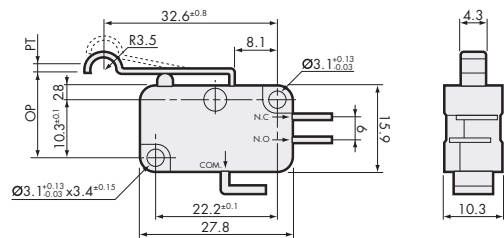
CT-CS10N021C2



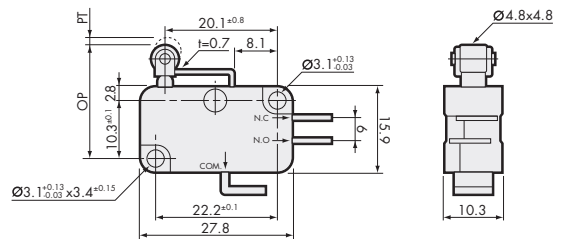
CT-CS10N031C2



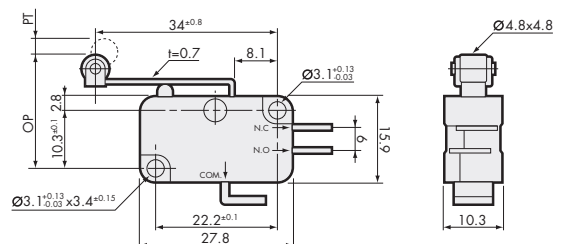
CT-CS10N041C2



CT-CS10N051C2



CT-CS10N061C2



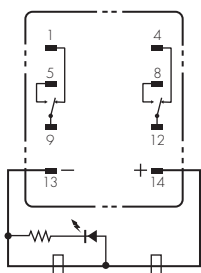
小型中功率繼電器 MEDIUM-POWER RANGE RELAY

鍍金、體積小、靈敏度高、用途廣
 多種規格，可配指示燈裝置
 Gilded, compact size, high sensitivity
 and variety of specifications
 which apply to intensive usages

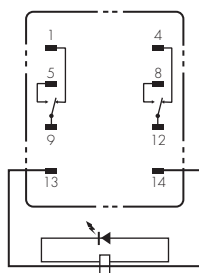


型號 Part No.	CT-AC12MY2L, CT-AC24MY2L, CT-DC24MY2L, CT-AC110MY2L, CT-AC220MY2L CT-AC12MY4L, CT-AC24MY4L, CT-DC24MY4L, CT-AC110MY4L, CT-AC220MY4L	
外型尺寸(長x寬x高) Dimension(LxWxH)	27.6 x 21.5 x 35mm	
觸點 Contact	形式 Contact Forms	2Z, 3Z, 4Z (2C, 3C, 4C)
	負載 Rated Load	2Z;28VDC/5A 220VAC/5A 3Z;28VDC/5A 220VAC/5A 4Z;28VDC/5A 220VAC/3A
	接觸電阻 Contact Resistance	≤50mΩ
	材料 Material	銀合金Silver Alloy
線圈電壓 Coil Nominal Voltage	直流 Direct Current	3-220VDC
	交流 Alternate Current	6-380VAC
線圈功率 Coil Nominal Power	直流 Direct Current	≤0.9W
	交流 Alternate Current	≤1.2VA
吸合電壓 Pick-up Current	AC≤80%≤75%	
釋放電壓 Drop-out Current	AC:≥30%, DC:≥10%	
介質耐壓 Dielectric Withstand Voltage	開路觸點間 Between the Contacts of Open Circuit	1000VAC
	觸點線圈間 Inside the Coil of Contacts	1500VAC
環境溫度 Ambient Temperature	-45°C~+70°C	
絕緣電阻 Insulation Resistance	≥1000mΩ	
壽命 Life	機械 Mechanical	≥1 x 10 ⁷ (通斷頻率36000次/h)
	電器 Electrial	≥1 x 10 ⁵ (通斷頻率1800次/h)
引出端形式 Outlet Terminal Form	插座式, 印刷板式 Receptacle type, Printed board type	

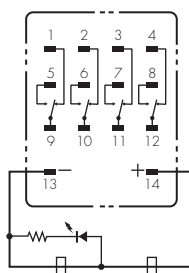
MY2L
DC



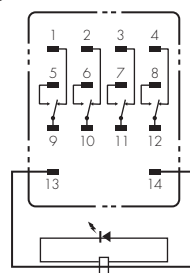
AC



MY4L
DC



AC



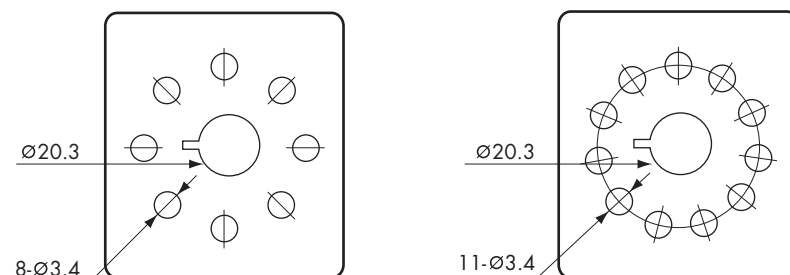
小型大功率繼電器 LARGE-POWER RANGE RELAY

鍍金、具有多種規格、用途廣泛
八腳和十一腳插入式安裝
Gilded, abundant choices to suit
different purposes. 8 pins and 11
pins plug-in installation.



型號 Part No.	CT-AC12MK2L, CT-AC110MK2L, CT-AC220MK2L, CT-DC24MK2L CT-AC12MK3L, CT-AC110MK3L, CT-AC220MK3L, CT-DC24MK3L	
外型尺寸(長x寬x高) Dimension(LxWxH)	34.7 x 34.7 x 52mm	
觸點 Contact	形式 Contact Forms	2Z, 3Z, (2C, 3C)
	負載 Rated Load	28VDC/5A 220VAC/5A
	接觸電阻 Contact Resistance	≤50mΩ
	材料 Material	銀合金 Silver Alloy
線圈電壓 Coil Nominal Voltage	直流 Direct Current	3-220VDC
	交流 Alternative Current	6-380VAC
線圈功率 Coil Nominal Power	直流 Direct Current	≤2W
	交流 Alternative Current	≤3.5VA
吸合電壓 Pick-up Current	AC ≤ 80% ≤ 75%	
釋放電壓 Drop-out Current	AC: ≥ 30%, DC: ≥ 15%	
介質耐壓 Dielectric Withstand Voltage	開路觸點間 Between the Contacts of Open Circuit	1500VAC
	觸點線圈間 Inside the Coil of Contacts	1500VAC
環境溫度 Ambient Temperature	-45°C ~ +55°C	
絕緣電阻 Insulation Resistance	≥ 500mΩ	
壽命 Life	機械 Mechanical	≥ 1 × 10 ⁷ (通斷頻率 36000次/h)
	電器 Electrial	≥ 1 × 10 ⁵ (通斷頻率 1800次/h)
引出端形式 Outlet Terminal Form	插座式 Receptacle type	

安裝開孔尺寸
Mounting Holes

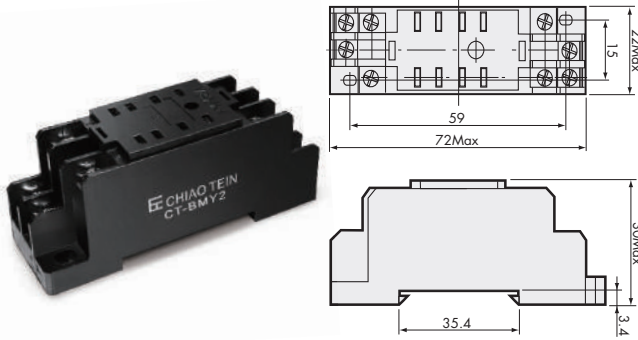


Unit: mm

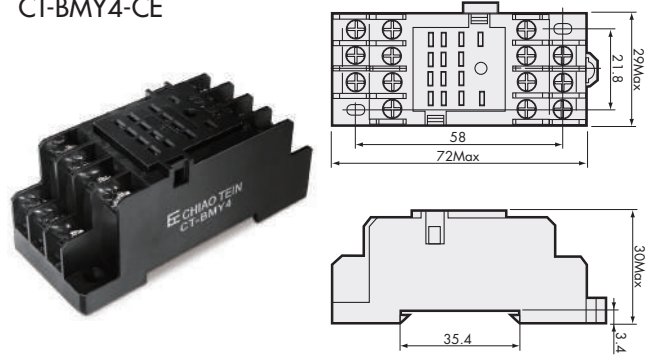
繼電器插座 RELAY SOCKET

材質 工業塑膠,銅 Material: Industrial Plastic, Copper

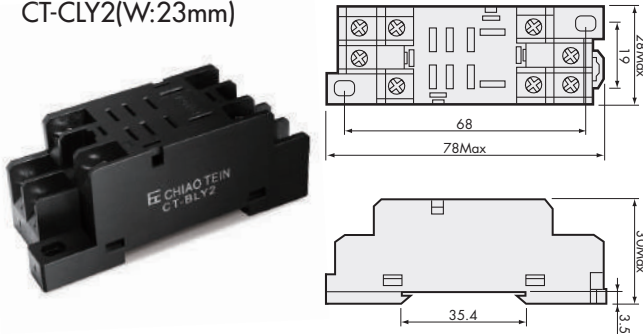
CT-BMY2
CT-BMY2-CE



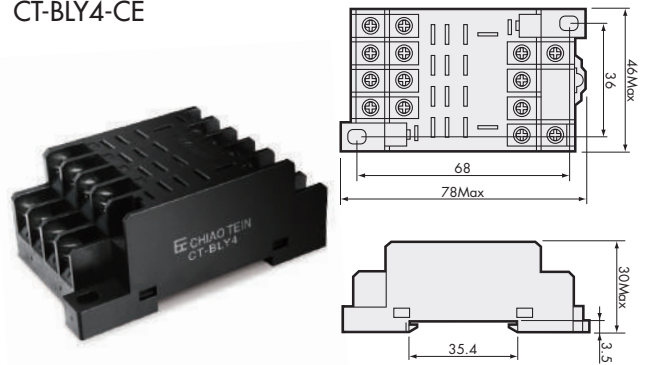
CT-BMY4
CT-BMY4-CE



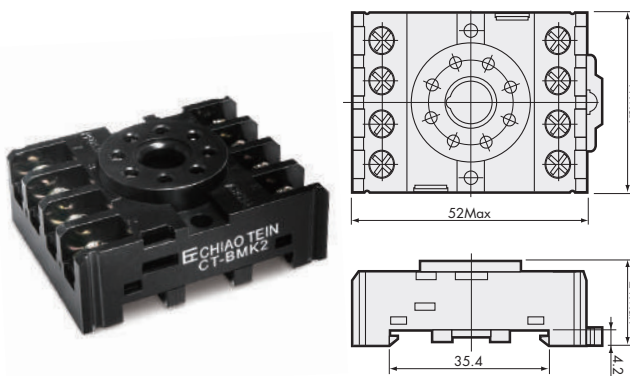
CT-BLY2
CT-BLY2-CE
CT-CLY2(W:23mm)



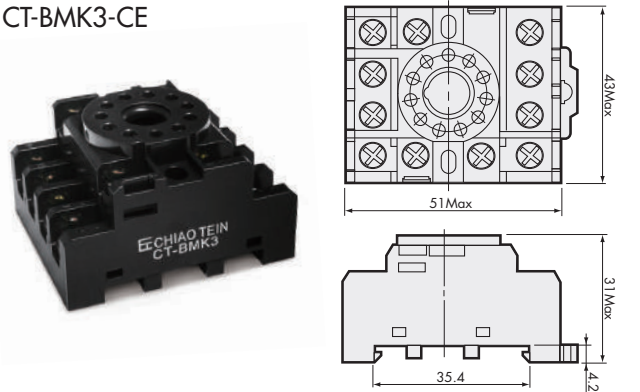
CT-BLY4
CT-BLY4-CE



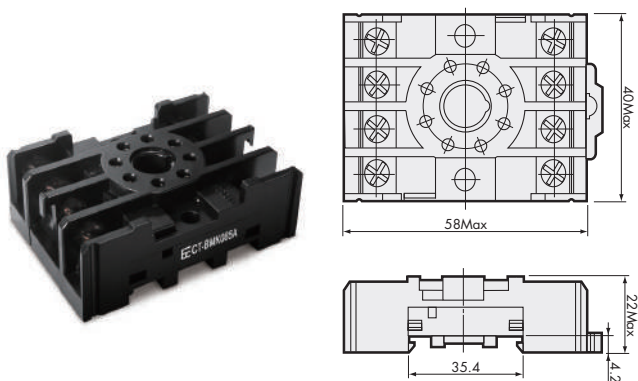
CT-BMK2



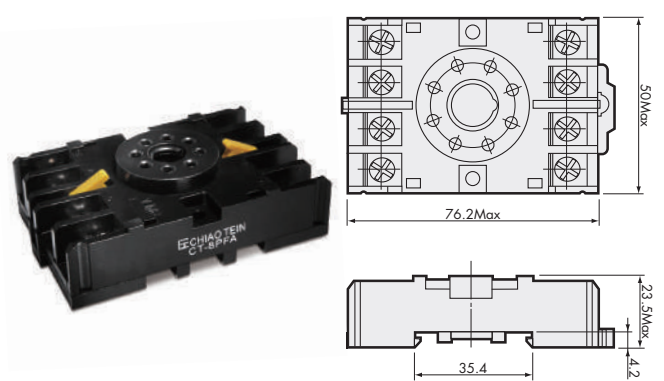
CT-BMK3
CT-BMK3-CE



CT-BMK085A



CT-8PF-A



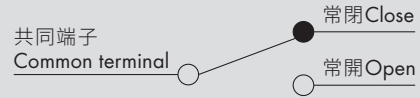
腳踏開關

FOOTSWITCH

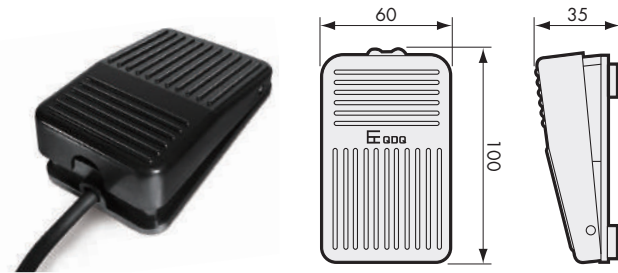
規格 Specification

外殼材質Material: 金屬/塑膠 Metal / Plastic
電線長度Cable Length: 2m

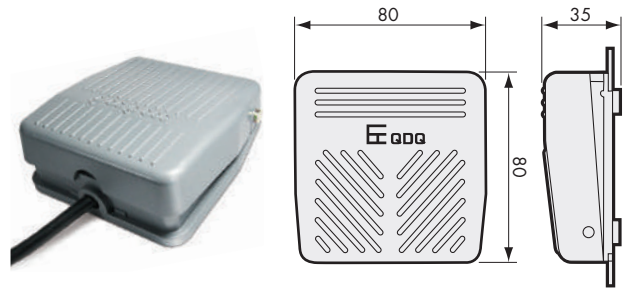
接點型式 Contact



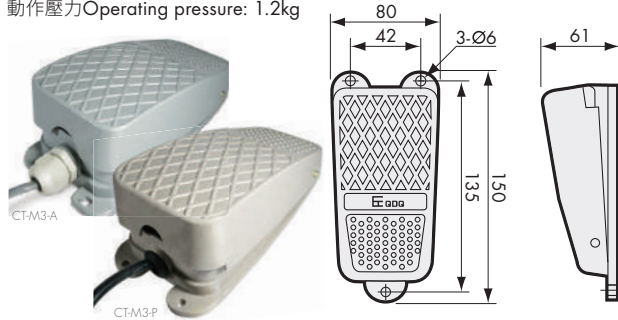
CT-M1 10A 250VAC, 塑膠Plastic
動作壓力Operating pressure: 0.7kg



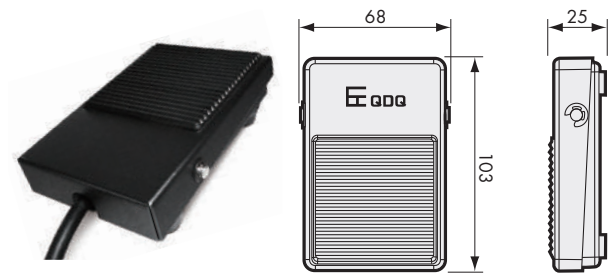
CT-M2 10A 250VAC, 塑膠Plastic
動作壓力Operating pressure: 0.7kg



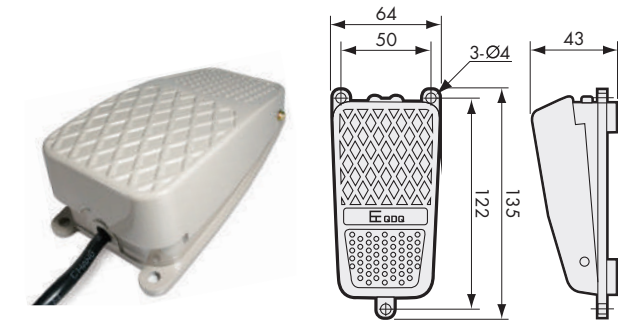
CT-M3-A (金屬) / CT-M3-P (塑膠)
10A 250VAC
動作壓力Operating pressure: 1.2kg



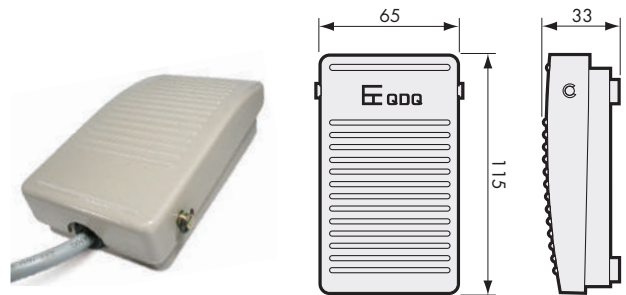
CT-MX1 10A 250VAC, 金屬Metal
動作壓力Operating pressure: 0.9kg



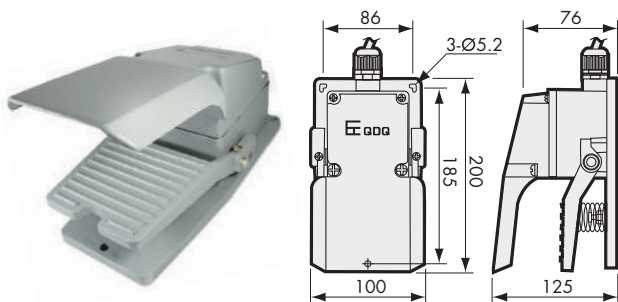
CT-MD2 10A 250VAC, 金屬Metal
動作壓力Operating pressure: 0.9kg



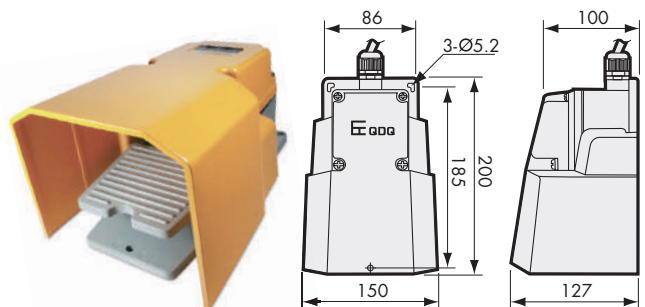
CT-MD4 10A 250VAC, 金屬Metal
動作壓力Operating pressure: 0.9kg



CT-H3N 15A 250VAC, 金屬Metal
動作壓力Operating pressure: 3.2kg



CT-HD3NX 15A 250VAC, 金屬Metal
動作壓力Operating pressure: 3.2kg



電源供應器 POWER SUPPLY

單組輸出開關式穩壓電源 35W

SINGLE OUTPUT SWITCHING POWER SUPPLY

高效率，高可靠、低成本
具有開機顯示 (LED)
空氣冷卻

保護特性：短路/超載
工作頻率：37KHz
尺寸：129x98x38mm (LxWxH)

High efficiency, high reliability, low cost
With power display (LED)
Air cooling

Protection features: Short circuit / overload
Operating Frequency: 37KHz
Size: 129 x 98 x 38mm (LxWxH)



型號 Part No.		CT-35-5	CT-35-9	CT-35-12	CT-35-15	CT-35-24
輸出 Output	直流輸出電壓 DC Output Voltage Range	5V	9V	12V	15V	24V
	輸出電壓容差 Output voltage tolerance	±2%	±1%	±1%	±1%	±1%
	額定輸出電流 Rated Output Current	7A	3.6A	3A	2.4A	1.5A
	輸出電流範圍 Input Voltage Range	0-7A	0-3.6A	0-3A	0-2.4A	0-1.5A
	輸出功率 Output Power	35W	32.4W	36W	36W	36W
	紋波及噪音 Ripple and noise	75mVp-P	100mVp-P	100mVp-P	100mVp-P	100mVp-P
	直流電壓可調範圍 DC Adjustment Range	+10, -5%	±10%	±10%	±10%	±10%
啟動、上升、保持時間 Setup, Rise, Hold Up Time	200ms, 100ms, 30ms 滿載					
輸入 Input	輸入電壓範圍 Input Voltage Range	85~132VAC/170~264VAC ,47~63Hz				
	交流輸入電流 AC Input Current	0.8A/115V ,36A/230V				
	效率 Efficiency	70%	72%	76%	78%	78%
	衝擊電流 Impact of Current	冷開機電流 18A/115V, 36A/230V				
保護特性 Protection	漏電流 Leakage Current	<2mA/240VAC				
	超載保護 Overload Protection	110%~160% 保護方式：電流限制，自動恢復				
環境 Setting	工作溫度、濕度 Temperature, Humidity	-10°C~+60°C, 20%~90%RH				
	保存溫度、濕度 Storage Temperature, Humidity	-20°C~+85°C, 10%~95%RH				
	抗震性 Shock Resistance	10~500Hz, 2G10min./1週期，時長60分鐘，各軸				
安全 Safety	耐壓性 Withstand Voltage	輸入輸出間：1.5KVAC，輸入與地：1.5KVAC，輸出與地：0.5KVAC				
	絕緣電阻 Insulation Resistance	輸入輸出間，輸入與地，輸出與地：100M Ohms/500VDC				

單組輸出開關式穩壓電源 50W

SINGLE OUTPUT SWITCHING POWER SUPPLY

高效率，高可靠、低成本
具有開機顯示 (LED)
空氣冷卻

保護特性：短路/超載
工作頻率：27KHz
尺寸：159x97x38mm (LxWxH)

High efficiency, high reliability, low cost
With power display (LED)
Air cooling

Protection features: Short circuit / overload
Operating Frequency: 27KHz
Size: 159 x 97 x 38mm (LxWxH)



型號 Part No.		CT-50-5	CT-50-12	CT-50-15	CT-50-24	CT-50-48
輸出 Output	直流輸出電壓 DC Output Voltage Range	5V	12V	15V	24V	48V
	輸出電壓容差 Output voltage tolerance	±2%	±1%	±1%	±1%	±1%
	額定輸出電流 Rated Output Current	10A	4.2A	3.4A	2.1A	1A
	輸出電流範圍 Input Voltage Range	0-10A	0-4.2A	0-3.4A	0-2.1A	0-1A
	輸出功率 Output Power	50W	50.4W	51W	50.4W	48W
	紋波及噪音 Ripple and noise	75mVp-P	100mVp-P	100mVp-P	100mVp-P	100mVp-P
	直流電壓可調範圍 DC Adjustment Range	+10, -5%	±10%	±10%	±10%	±10%
啟動、上升、保持時間 Setup, Rise, Hold Up Time	200ms, 100ms, 20ms 滿載					
輸入 Input	輸入電壓範圍 Input Voltage Range	85~132VAC/170~264VAC ,47~63Hz				
	交流輸入電流 AC Input Current	1.3A/115V ,0.65A/230V				
	效率 Efficiency	71%	78%	78%	82%	84%
	衝擊電流 Impact of Current	冷開機電流 18A/115V, 36A/230V				
保護特性 Protection	漏電流 Leakage Current	<1mA/240VAC				
	超載保護 Overload Protection	110%~160% 保護方式：電流限制，自動恢復				
環境 Setting	工作溫度、濕度 Temperature, Humidity	-10°C~+60°C, 20%~90%RH				
	保存溫度、濕度 Storage Temperature, Humidity	-20°C~+85°C, 10%~95%RH				
	抗震性 Shock Resistance	10~500Hz, 2G10min./1週期，時長60分鐘，各軸				
安全 Safety	耐壓性 Withstand Voltage	輸入輸出間：1.5KVAC，輸入與地：1.5KVAC，輸出與地：0.5KVAC				
	絕緣電阻 Insulation Resistance	輸入輸出間，輸入與地，輸出與地：100M Ohms/500VDC				

單組輸出開關式穩壓電源 100W
SINGLE OUTPUT SWITCHING POWER SUPPLY

高效率，高可靠、低成本
開關選擇輸入電壓範圍
100%滿負荷燒機測試
空氣冷卻
保護特性：短路/超載
工作頻率：25KHz
尺寸：199x98x38mm (LxWxH)

High efficiency, high reliability, low cost
Switch to select the input voltage range
100% full load burn-in test
Air cooling
Protection features: Short circuit / overload
Operating Frequency: 25KHz
Size: 199x98x38mm (LxWxH)



型號 Part No.		CT-100-5	CT-100-12	CT-100-15	CT-100-24	CT-100-48
輸出 Output	直流輸出電壓 DC Output Voltage Range	5V	12V	15V	24V	48V
	輸出電壓容差 Output voltage tolerance	±2%	±1%	±1%	±1%	±1%
	額定輸出電流 Rated Output Current	20A	8.5A	6.7A	4.5A	2A
	輸出電流範圍 Input Voltage Range	0-20A	0-8.5A	0-6.7A	0-4.5A	0-2A
	輸出功率 Output Power	100W	102W	100.5W	108W	96W
	紋波及噪音 Ripple and noise	100mVp-P	100mVp-P	100mVp-P	100mVp-P	100mVp-P
	直流電壓可調範圍 DC Adjustment Range	+10, -5%	±10%	±10%	±10%	±10%
啟動、上升、保持時間 Setup, Rise, Hold Up Time	200ms, 80ms, 20ms 滿載					
輸入 Input	輸入電壓範圍 Input Voltage Range	85~132VAC/180~264VAC ,47~63Hz				
	交流輸入電流 AC Input Current	2.4A/115V, 1.2A/230V				
	效率 Efficiency	78%	81%	81%	84%	84%
	衝擊電流 Impact of Current	冷開機電流 30A/115V, 60A/230V				
保護特性 Protection	漏電流 Leakage Current	<1mA/240VAC				
環境 Setting	超載保護 Overload Protection	135%~165%				
	工作溫度、濕度 Temperature, Humidity	保護方式：切斷輸出，自動恢復				
	保存溫度、濕度 Storage Temperature, Humidity	-10°C~+60°C, 20%~90%RH				
安全 Safety	抗震性 Shock Resistance	-20°C~+85°C, 10%~95%RH				
	耐壓性 Withstand Voltage	10~500Hz, 2G10min./1週期，時長60分鐘，各軸				
	絕緣電阻 Insulation Resistance	輸入輸出間：1.5KVAC，輸入與地：1.5KVAC，輸出與地：0.5KVAC 輸入輸出間，輸入與地，輸出與地：100M Ohms/500VDC				

單組輸出開關式穩壓電源 150W
SINGLE OUTPUT SWITCHING POWER SUPPLY

高效率，高可靠
開關選擇輸入電壓範圍
100%滿負荷燒機測試
空氣冷卻
保護特性：短路/超載/過壓
工作頻率：25KHz
尺寸：199x110x50mm (LxWxH)

High efficiency, high reliability
Switch to select the input voltage range
100% full load burn-in test
Air cooling
Protection features: Short circuit / overload / overvoltage
Operating Frequency: 25KHz
Size: 199x110x50mm (LxWxH)



型號 Part No.		CT-150-5	CT-150-12	CT-150-15	CT-150-24	CT-150-48
輸出 Output	直流輸出電壓 DC Output Voltage Range	5V	12V	15V	24V	48V
	輸出電壓容差 Output voltage tolerance	±2%	±1%	±1%	±1%	±1%
	額定輸出電流 Rated Output Current	30A	12.5A	10A	6.5A	3.2A
	輸出電流範圍 Input Voltage Range	0-30A	0-12.5A	0-10A	0-6.5A	0-3.2A
	輸出功率 Output Power	150W	150W	150W	156W	153.6W
	紋波及噪音 Ripple and noise	150mVp-P	180mVp-P	180mVp-P	240mVp-P	240mVp-P
	直流電壓可調範圍 DC Adjustment Range	±10%	-12%, +10%	±10%	-12%, +16%	±10%
啟動、上升、保持時間 Setup, Rise, Hold Up Time	100ms, 50ms, 20ms 滿載					
輸入 Input	輸入電壓範圍 Input Voltage Range	88~132VAC/176~264VAC ,47~63Hz				
	交流輸入電流 AC Input Current	3.2A/115V, 1.6A/230V				
	效率 Efficiency	78%	82%	84%	85%	87%
	衝擊電流 Impact of Current	冷開機電流 35A/230VAC				
保護特性 Protection	漏電流 Leakage Current	<3.5mA/240VAC				
環境 Setting	超載保護 Overload Protection	110%~160%，保護方式：切斷輸出，自動恢復				
	過電壓保護 Overvoltage Protection	115%~135%，保護方式：切斷輸出，重新啟動				
	工作溫度、濕度 Temperature, Humidity	-10°C~+60°C, 20%~90%RH				
安全 Safety	保存溫度、濕度 Storage Temperature, Humidity	-20°C~+85°C, 10%~95%RH				
	抗震性 Shock Resistance	10~500Hz, 2G10min./1週期，時長60分鐘，各軸				
	耐壓性 Withstand Voltage	輸入輸出間：3KVAC，輸入與地：1.5KVAC，輸出與地：0.5KVAC 輸入輸出間，輸入與地，輸出與地：100M Ohms/500VDC				

儀器儀表系列 METER & INSTRUMENT



超小型電子計數器

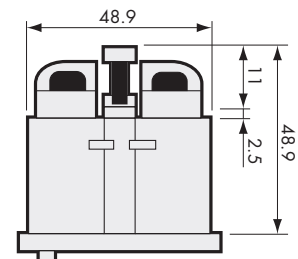
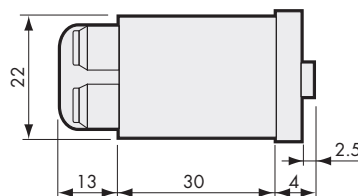
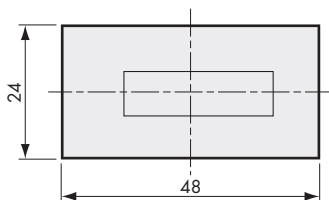
型號:CT-DHC3J6NL

- DIN48x24mm標準面板尺寸
- 可輸入接點信號，或電信號，計數準確可靠
- LCD顯示，顯示大而清晰
- 最高計數速度200CPS
- 無機械磨損，壽命長
- 電源：內部電源，不需外接
- 鋰電池壽命≥5年
- 計數範圍：0~999999
- 顯示字高：6.7mm
- 復歸方式：接點
- 接點接通最大電阻≤10KΩ(計數ON)
- 接點斷開最小電阻≥500KΩ(計數OFF)
- 輸入最大殘餘電壓0.5V
- 輸入信號電壓：L:0~2V, H:4~30V
- 輸入阻抗：≥4.7K
- 復歸最小脈寬：≥0.2sec
- 重量：約60g
- 開孔尺寸：22.2x45mm
- 計數器的信號輸入，及復歸輸入的開關或電路應盡量靠近計數器的接線端子
- 復歸信號不應長時間接通，以免浪費內部電池
- 接點輸入應可靠，以免接點回跳引起錯誤計數

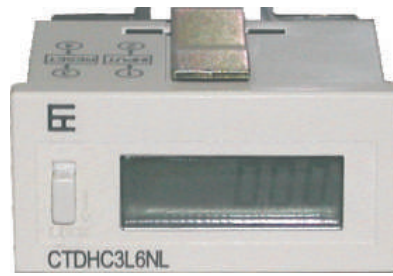
COUNTER

Part No. :CT-DHC3J6NL

- DIN 48x24mm standard faceplate area
- Can use NO/OFF signal or communications signal, counter is reliable
- LCD display, large and clear
- Maximum timer speed of 200CPS
- No mechanical wear out, long lifetime
- Internal power source, no need for external power
- Battery life-expectancy: ≥5 years
- Counter range:0~999999
- Number display height: 6.7mm
- Rest method: ON/OFF
- ON/OFF maximum resistance≤10KΩ (counter ON)
- ON/OFF minimum resistance≥500KΩ (counter OFF)
- Maximum residual voltage 0.5V
- Input signal: L:0~2V, H:4~30V
- Input resistance: ≤4.7K
- Minimum reset delay: ≥0.2 sec
- Weight: approximately 60g
- Dimension of mounting hole: 22.2x45mm
- Counter signal input, and reset on/off or switch should be as close as possible to the wired end of the counter
- Avoid mangling wires
- Reset signal should not be applied for a long time so that internal battery will not be wasted
- ON/OFF input should be reliable to prevent a reset that will cause incorrect results



Unit: mm



數字顯示時間繼電器

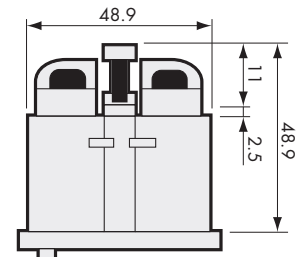
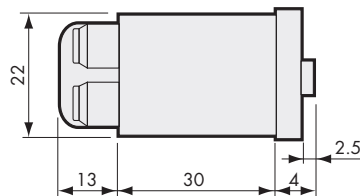
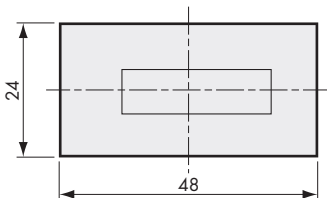
型號:CT-DHC3L6NL-S (顯示時間: 99h59m59s)
CT-DHC3L6NL-H (顯示時間: 9999h59m)

- DIN48x24mm標準面板尺寸
- 復歸信號不應長時間接通，以免浪費內部電池
- 累計時精度高
- LCD顯示，顯示大而清晰
- 面板復歸帶鎖定，防止錯誤操作
- 無機械磨損，壽命長
- 電源：內部電源，不需外接
- 鋰電池壽命 ≥ 5 年
- 顯示字高：6.7mm
- 累計時誤差： $\leq 0.002\%$
- 接點接通最大電阻 $\leq 10K\Omega$ (計數ON)
- 接點斷開最小電阻 $\geq 500K\Omega$ (計數OFF)
- 輸入最大殘餘電壓0.5V
- 最小信號脈寬： $\geq 0.2\text{sec}$
- 重量：約60g
- 開孔尺寸：22.2x45mm
- 復歸方式：外部端子復歸
- 使用環境溫度： $-10\sim 40^{\circ}\text{C}$

Timer

Part No. :CT-DHC3L6NL-S (Time Display : 99h59m59s)
CT-DHC3L6NL-H (Time Display : 9999h59m)

- DIN 48x24mm standard faceplate area
- Reset signal should not be applied for a long time so that internal battery will not be wasted
- Very accurate timer
- LCD display, large and clear
- Reset and lock, to prevent errors in operating
- No mechanical wear out, long lifetime
- Internal power source, no need for external power
- Battery life-expectancy: ≥ 5 years
- Number display height: 6.7mm
- Timer error: $\leq 0.002\%$
- ON/OFF maximum resistance $\leq 10K\Omega$ (counter ON)
- ON/OFF minimum resistance $\geq 500K\Omega$ (counter OFF)
- Maximum residual voltage 0.5V
- Weight: approximately 60g
- Dimension of mounting hole: 22.2x45mm
- Reset method: external button
- Operating temperature: $10\sim 40^{\circ}\text{C}$



Unit: mm

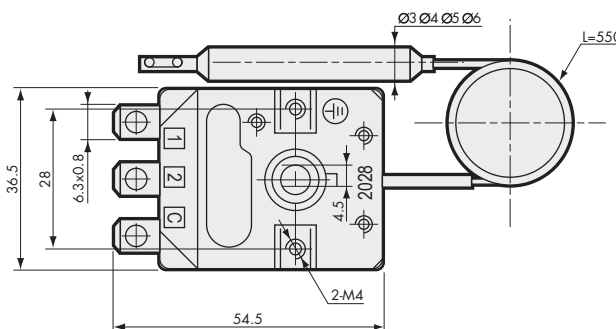
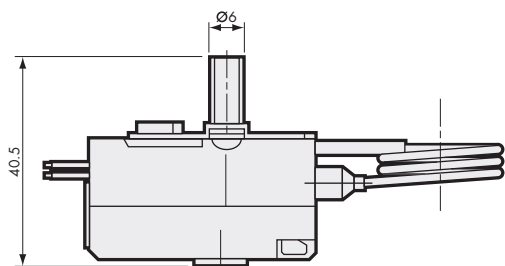
溫度控制開關 TEMPERATURE CONTROLLER

LIQUID EXPANDING

液脹式溫度控制器



型號 Part No.	溫度調節範圍 Temp.Range	設定溫度差 Differential	感溫管長度 PROBE Length	規格 Spec.	毛細管 Capillary	
					長度 Length	材質 Material
CT-TH60	0°C~60°C	±3°C	120L 6Ø	單極雙投 S.P.D.T C1: 16A/10A 250V/380V C2: 6A/3A 250V/380V	1.000mm	SUS CU
CT-TH80	0°C~80°C	±4°C	72L 6Ø			
CT-TH120	30°C~120°C	±4°C	72L 6Ø			
CT-TH300	50°C~300°C	±10°C	153L 6Ø			



Unit: mm

MECHANICAL THERMOSTAT

機械式感應溫度控制開關

傳感組件: 恆溫雙片金屬, Sensing Components: Thermostat sheet metal

開關容量 Switching capacity: 250VAC/10 (2) A, 120VAC/15 (2) A, DC 30W

接線方式: 2接點線徑 2.5mm², 螺絲扭力 0.6Nm

Wiring: 2 contacts diameter 2.5mm², screw torque 0.6Nm

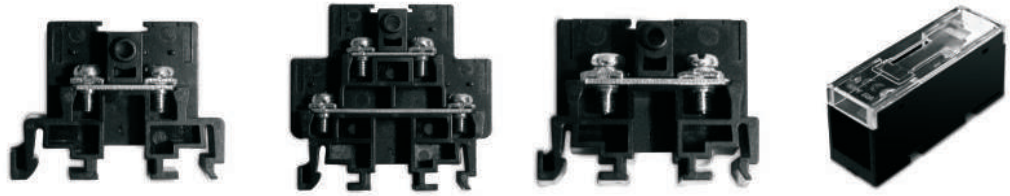
外觀尺寸 Dimensions: 60 x 33 x 43mm

防護等級 IP Ratings: IP20



型號 Part No.	觸點形式 Contact Type	觸點電阻 Contact Resistance	安裝方式 Installation	溫度調節範圍 Temp.Range	重量 Weight
CT-KTA011	NO	<10mΩ	35mmDIN軌道	0°C~60°C	40g
CT-KTB011	NC				

端子台系列 TERMINAL BLOCK SERIES



型號Part No.	CT-TBA115	CT-TBA215	CT-TBA130	CT-TBA50
長度Length(mm)	41	48	42	64
內距Internal Spur(mm)	7	7	10	17
節距Pitch(mm)	9	9	13	19
寬度Width(mm)	9	9	13	19
高度Height(mm)	31	44	32	27
螺絲Screw(mm)	6	6	7	8
額定電壓Rated Voltage	600V	600V	600V	600V
額定電流Rated Current	15A	15A	30A	50A
AWG	14	14	10	7
額定溫度Temperature	-20°C~+100°C			
邊蓋Side Cover	CT-TBB115	CT-TBB215	CT-TBB130	-
防塵蓋Dust Cover	CT-TBC15	CT-TBC15	CT-TBC30	CT-TBC50
顏色Color	黑 Black			
檔片Plate	CT-LTR(金屬Metal), CT-DB-001(塑膠Plastic)			



型號Part No.	CT-TBA100	CT-TBA150	CT-TBA200	CT-TBA400
長度Length(mm)	64	80	100	114
內距Internal Spur(mm)	19	26	31	36
節距Pitch(mm)	21	28	33	38
寬度Width(mm)	21	28	33	38
高度Height(mm)	33	40	51	62
螺絲Screw(mm)	11	15	18	20
額定電壓Rated Voltage	600V	600V	600V	600V
額定電流Rated Current	100A	150A	200A	400A
AWG	2	1/0	3/0	4/0
額定溫度Temperature	-20°C~+100°C			
防塵蓋Dust Cover	CT-TBC100	CT-TBC150	CT-TBC200	CT-TBC400
顏色Color	黑 Black			
檔片Plate	CT-LTR(金屬Metal), CT-DB-001(塑膠Plastic)			



CT-LTR



CT-DB-001



CT-TBB115
CT-TBB130



CT-TBC15
CT-TBC30



僑電企業有限公司

CHIAO TEIN ENTERPRISES CO.,LTD

地址：台灣新北市中和區建三路27號

Add: No.27, Jian 3rd Rd., Zonghe District, New Taipei City, Taiwan

電話(TEL): +886-2-22258088

傳真(FAX): +886-2-22255077

Website: www.ctqdq.com.tw

E-mail: foreign@ctqdq.com.tw

温州侨电电气有限公司

WENZHOU QIAODIAN ELECTRIC CO.,LTD

地址：浙江省乐清市柳市镇前西洋工业区捷达西路1弄6号

Add: No.6, Lane 1, Jieda West Road, Qianxiyang Industrial zone, Liushi Town, Yueqing City, Zhejiang, P.R.C.

电话(TEL): 86-577-62739100

传真(FAX): 86-577-61209553

Website: www.wzqdq.com.tw

E-mail: wzqdq@wzqdq.com



CONTACTS

WWW.CTQDQ.COM.TW

WWW.WZQDQ.COM.TW

經銷商
DISTRIBUTOR